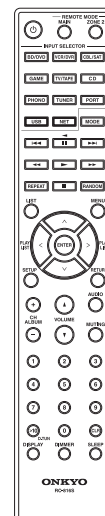
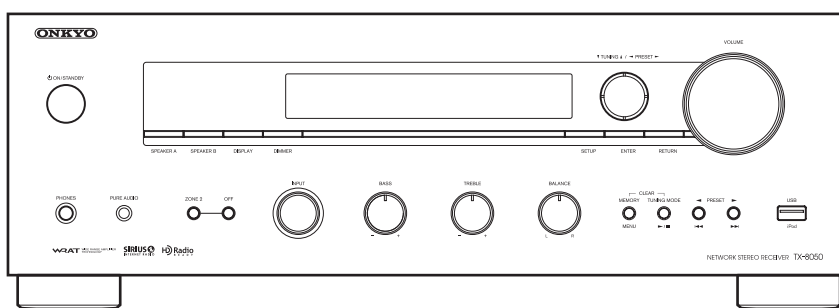


ONKYO® SERVICE MANUAL

RECEIVER MODEL TX-8050(B)/(S)




RC-816S

Black and Silver models

B MPP	230V AC, 50Hz
S MPP	230V AC, 50Hz
S MDC	120V AC, 60Hz

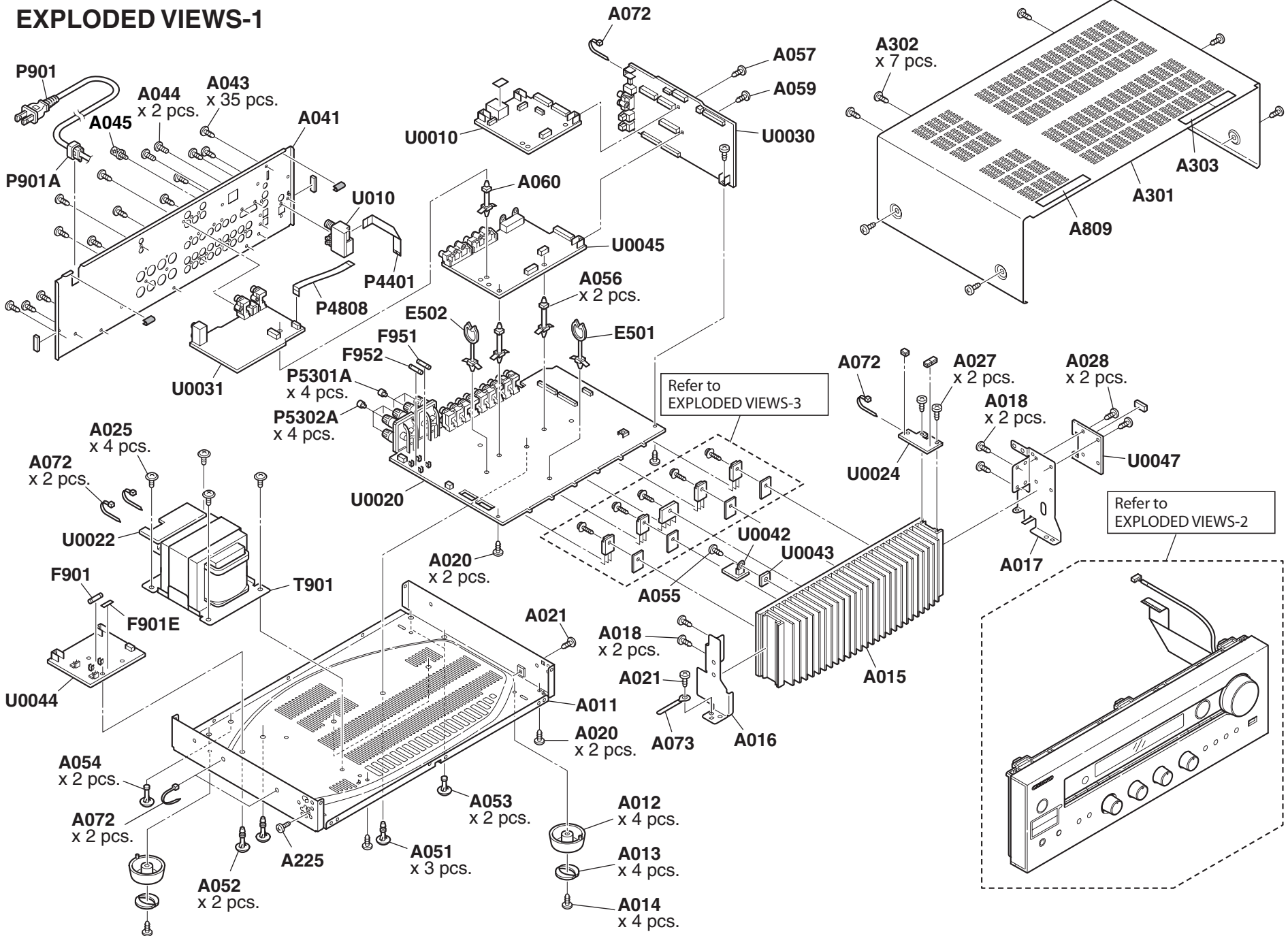
SAFETY-RELATED COMPONENT WARNING!!

COMPONENTS IDENTIFIED BY MARK  ON THE SCHEMATIC DIAGRAM AND IN THE PARTS LIST ARE CRITICAL FOR RISK OF FIRE AND ELECTRIC SHOCK. REPLACE THESE COMPONENTS WITH ONKYO PARTS WHOSE PART NUMBERS APPEAR AS SHOWN IN THIS MANUAL.

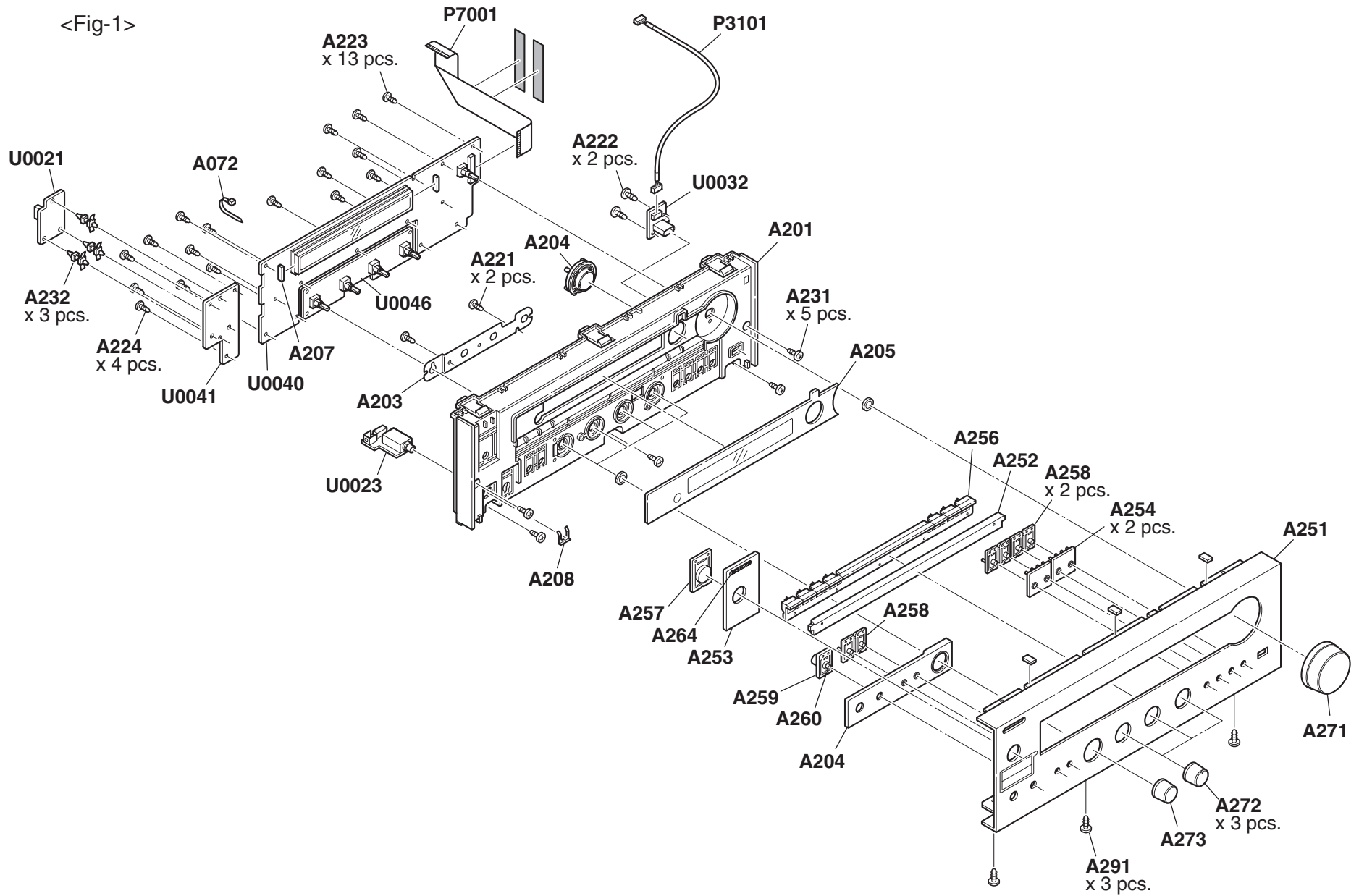
MAKE LEAKAGE-CURRENT OR RESISTANCE MEASUREMENTS TO DETERMINE THAT EXPOSED PARTS ARE ACCEPTABLY INSULATED FROM THE SUPPLY CIRCUIT BEFORE RETURNING THE APPLIANCE TO THE CUSTOMER.

ONKYO SOUND & VISION CORPORATION
Service Department

EXPLODED VIEWS-1

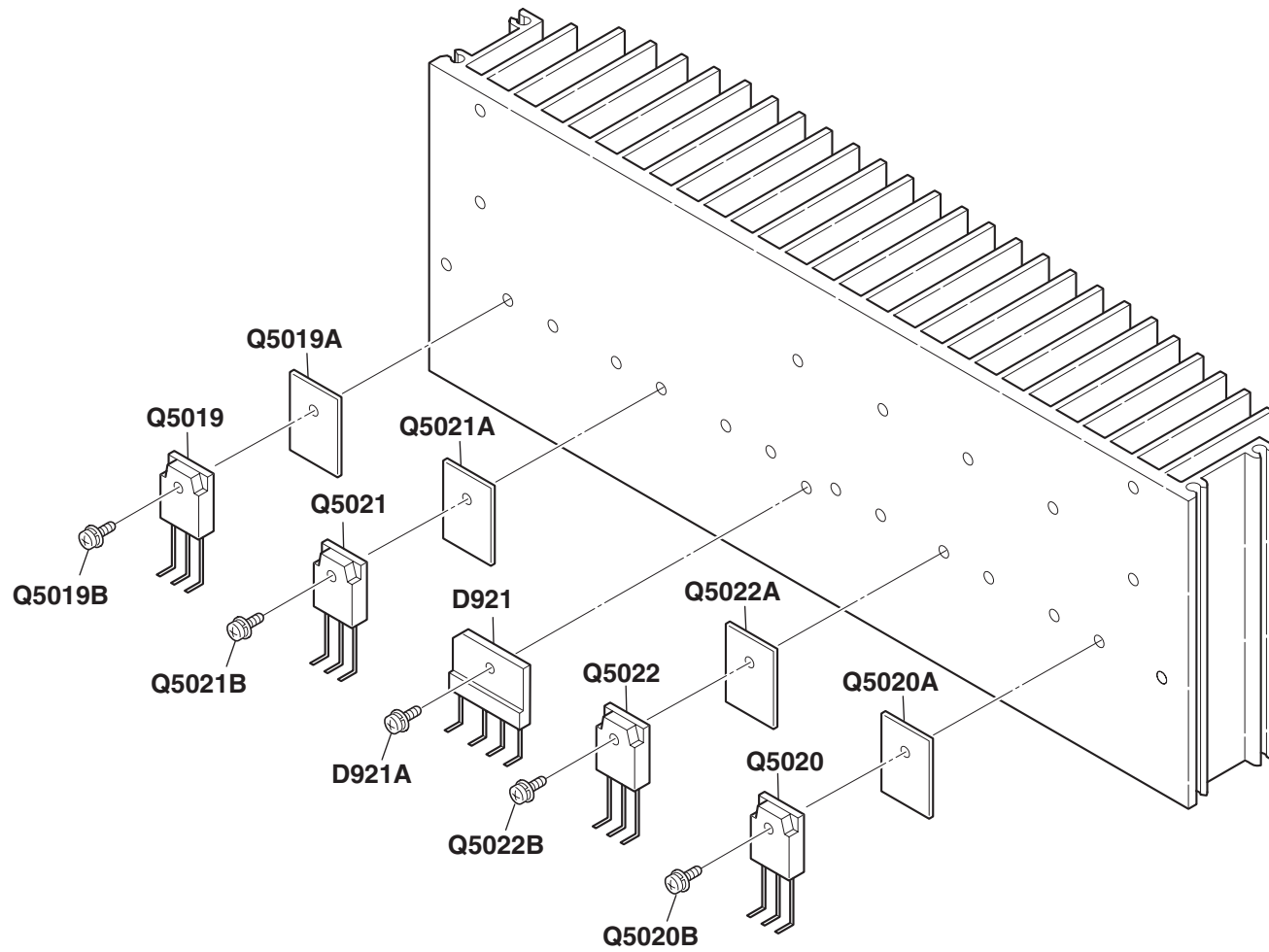


EXPLODED VIEWS-2



EXPLODED VIEWS-3

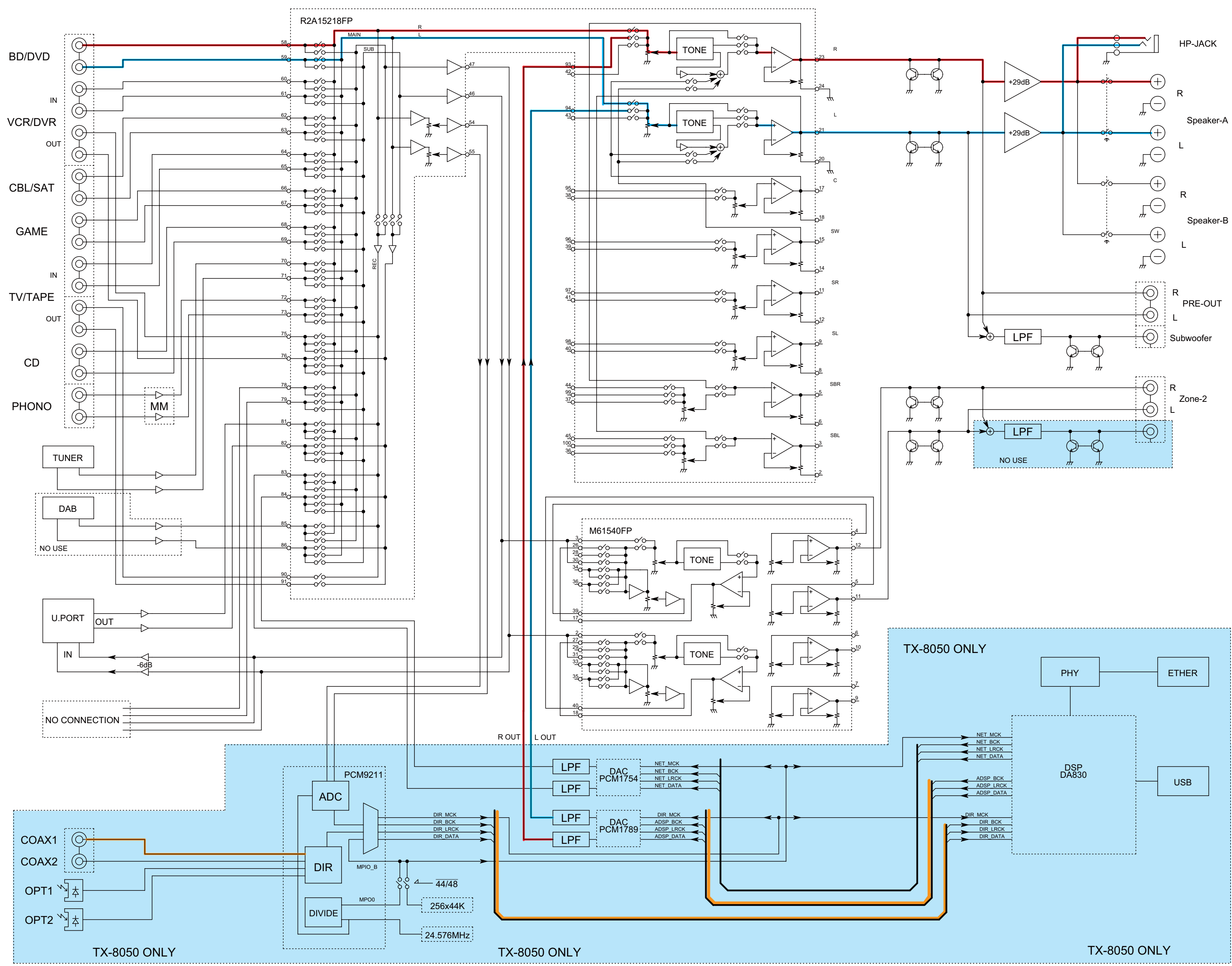
<Fig-2>



SCHEMATIC DIAGRAM - 1 (SD - 1)
AUDIO BLOCK DIAGRAM SECTION

Audio signal line (BD/DVD) (DAC OUT)
L channel (Blue line)
R channel (Red line)
Digital signal line (COAX1) (Orange line)

1
2
3
4
5
6
7
8



A

B

C

D

E

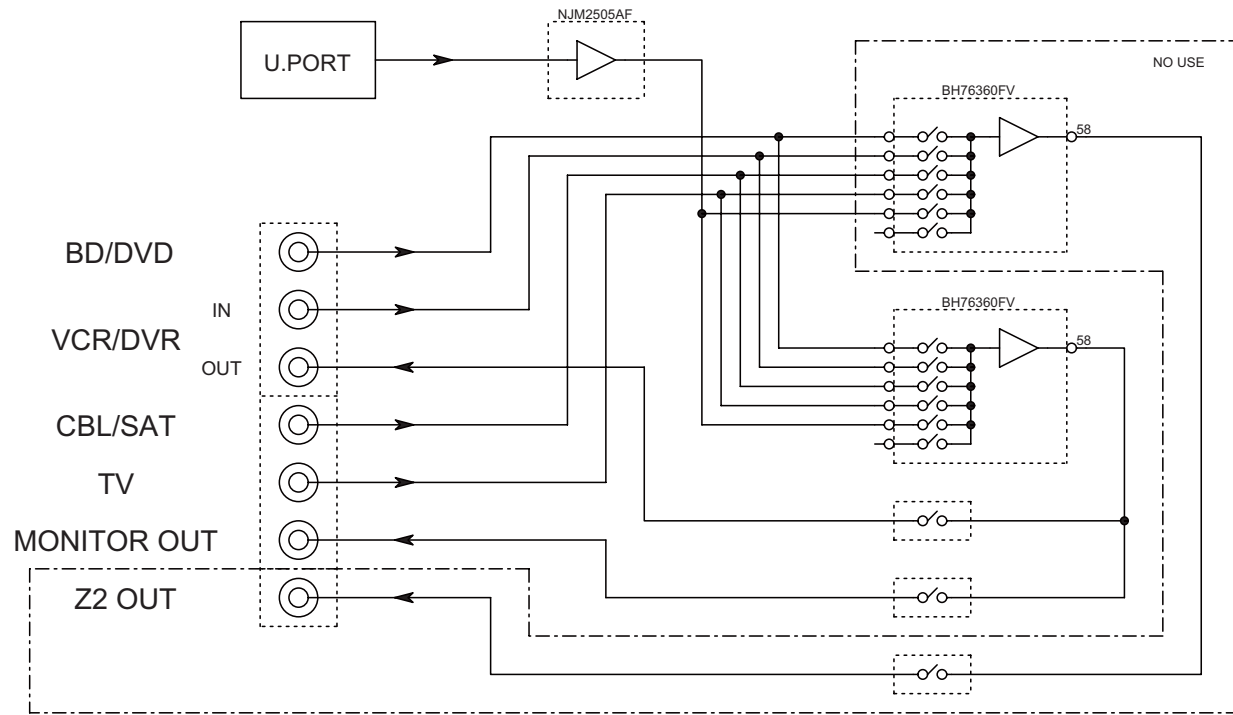
SCHEMATIC DIAGRAM - 2 (SD - 2)
VIDEO BLOCK DIAGRAM SECTION

1

2

3

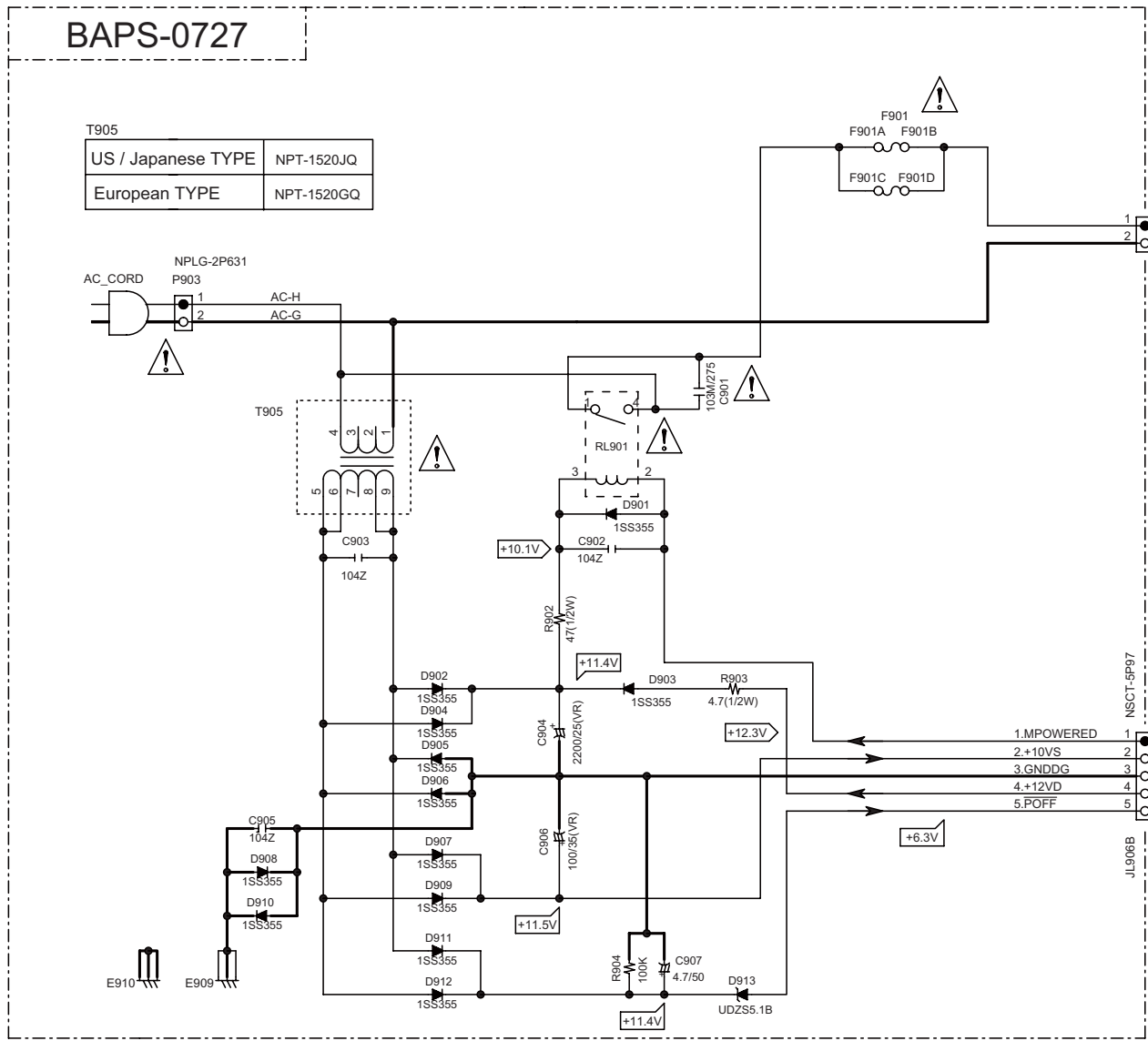
4



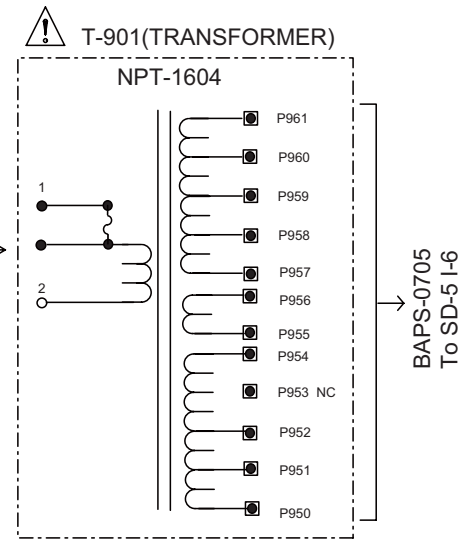
A B C D E

SCHEMATIC DIAGRAM - 3 (SD - 3)
MAIN TRANS / SUB TRANS / AC IN SECTION

1
2
3
4



	F901	T-901 (TRANS)
US TYPE	8A 125V	NPT-1604D
European TYPE	T4AL250V	NPT-1604P
Japanese TYPE	8A 125V	NPT-1604J



TO SD-4 J-8 (AMP PWB)
 FROM BAAF-0704

- CAUTION**
 FOR CONTINUED PROTECTION AGAINST FIRE HAZARD, REPLACE ONLY WITH FUSE OF SAME TYPE AND RATING INDICATED.
- ATTENTION**
 AFIN D'ASSURER UNE PROTECTION PERMANENTE CONTRE LES RISQUES D'INCENDIE, REMPLACER UNIQUEMENT PAR UN FUSIBLE DE MEME TYPE ET CALIBRATION COMME INDIQUE.
- THIS SYMBOL LOCATED NEAR THE FUSE INDICATES THAT THE FUSE USED IS SLOW OPERATING TYPE. FOR CONTINUED PROTECTION AGAINST FIRE FUSE HAZARD REPLACE WITH SAME TYPE FUSE. FOR FUSE RATING REFER TO THE MARKING ADJACENT TO THE SYMBOL.
- CE SYMBOLE INDIQUE QUE LE FUSIBLE UTILISE EST A LENT. E POUR UNE PROTECTION PERMANENTE, UTILISER QUE DES FUSIBLES DE MEME TYPE. CE DERNIER EST INDIQUE LA QU LE PRESENT SYMBOLE EST ADPOSE.

NOTE

THE COMPONENTS IDENTIFIED BY MARK ARE CRITICAL FOR SAFETY. REPLACE ONLY WITH PART NUMBER SPECIFIED.

VOLTAGE (MEASURED WITH VOLTMETER) IS DC VOLTAGE (NO INPUT SIGNAL)

ALL PNP TRANSISTORS ARE EQUIVALENT TO 2SA1015-GR UNLESS OTHERWISE NOTED.
 ALL NPN TRANSISTORS ARE EQUIVALENT TO 2SC1815-GR UNLESS OTHERWISE NOTED.
 ALL DIODES ARE EQUIVALENT TO 1SS133 UNLESS OTHERWISE NOTED.

ELECTROLYTIC CAPACITORS ARE IN μ F/W

ALL CAPACITORS ARE IN pF/50WV UNLESS OTHERWISE NOTED.
 EX1 030-330F 030-330F 031-330F 033-330 033

ALL RESISTORS ARE IN OHMS 1/4WATTS UNLESS OTHERWISE NOTED.
 THE THICK LINES ON PC BOARD ARE THE PRINTING SIDE OF THE PARTS

EX PRINTING SIDE

CIRCUIT IS SUBJECT TO CHANGE FOR IMPROVEMENT.

A

B

C

D

E

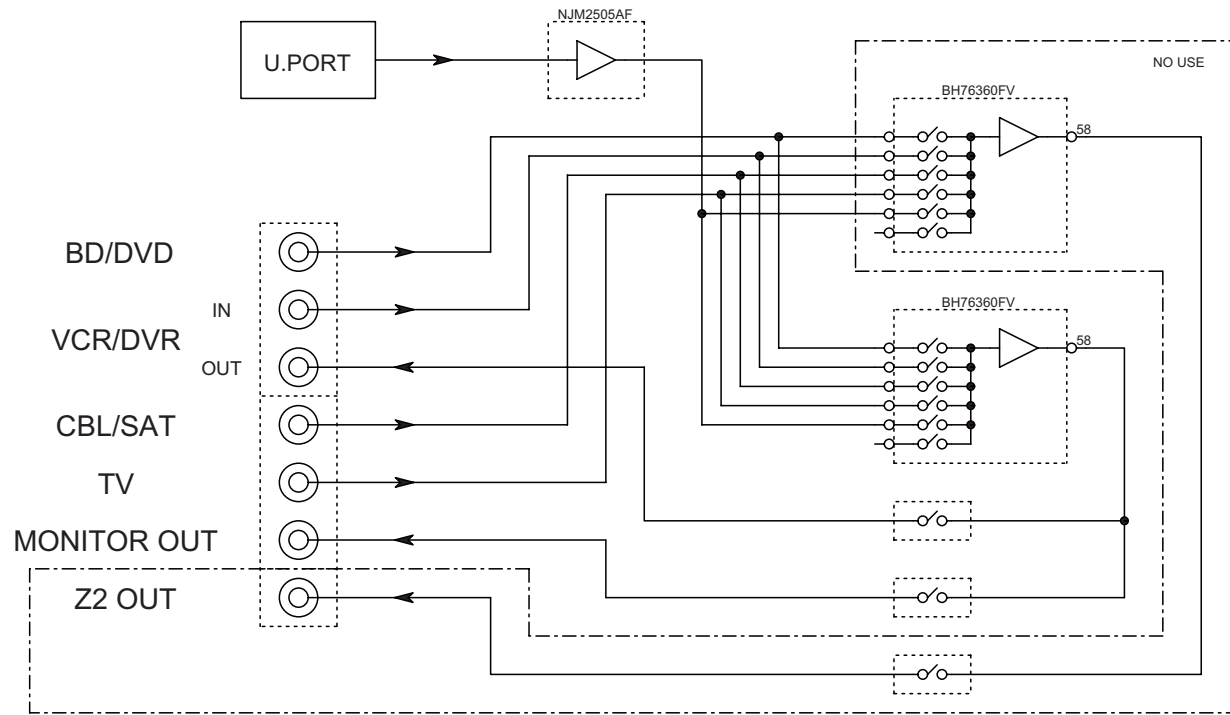
SCHEMATIC DIAGRAM - 2 (SD - 2)
VIDEO BLOCK DIAGRAM SECTION

1

2

3

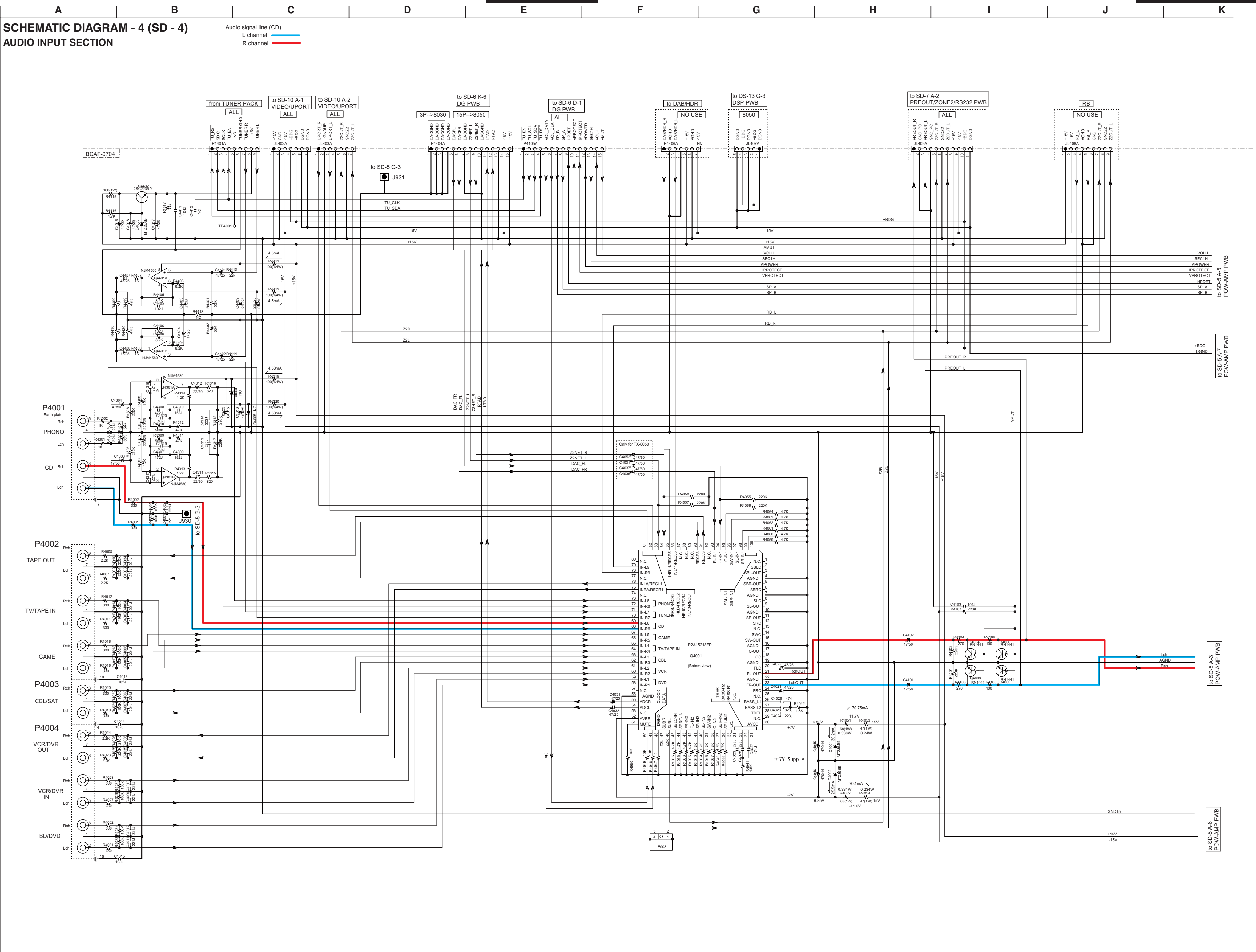
4



SCHEMATIC DIAGRAM - 4 (SD - 4)
AUDIO INPUT SECTION

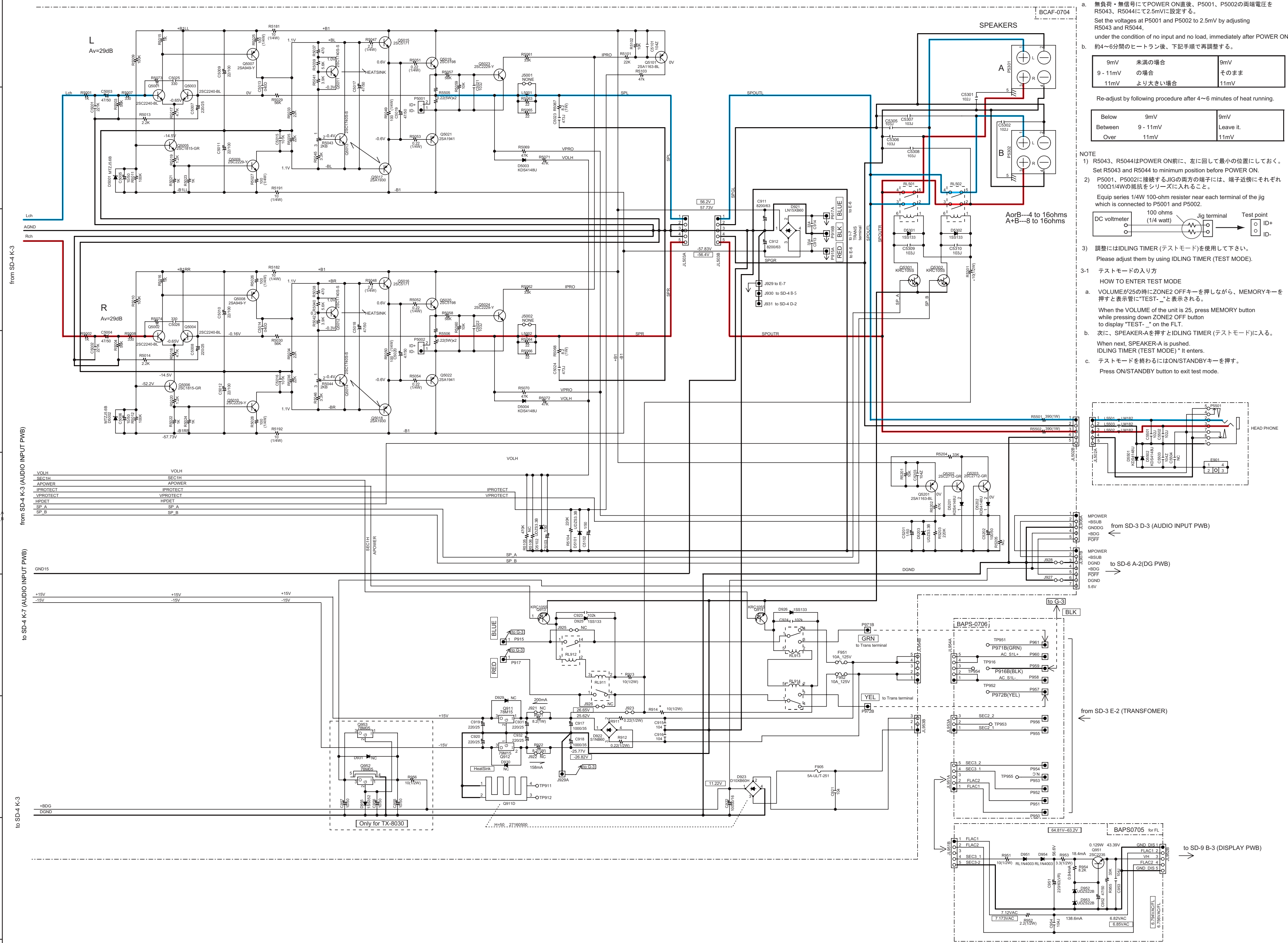
Audio signal line (CD)
L channel (blue line)
R channel (red line)

1
2
3
4
5
6
7
8



SCHMATIC DIAGRAM - 5 (SD - 5)
POWER AMPLIFIER SECTION

Audio signal line
L channel —
R channel —



アイドリング電流調整
ADJUSTMENT OF IDLING CURRENT

a. 無負荷・無信号にてPOWER ON直後、P5001、P5002の両端電圧をR5043、R5044にて2.5mVに設定する。
Set the voltages at P5001 and P5002 to 2.5mV by adjusting R5043 and R5044, under the condition of no input and no load, immediately after POWER ON.

b. 約4~6分間のヒートラン後、下記手順で再調整する。

9mV	未満の場合	9mV
9 - 11mV	の場合	そのまま
11mV	より大きい場合	11mV

Re-adjust by following procedure after 4~6 minutes of heat running.

Below	9mV	9mV
Between	9 - 11mV	Leave it.
Over	11mV	11mV

NOTE

1) R5043、R5044はPOWER ON前に、左に回して最小の位置にしておく。
Set R5043 and R5044 to minimum position before POWER ON.

2) P5001、P5002に接続するJIGの両方の端子には、端子近傍にそれぞれ100Ω/1/4Wの抵抗をシリーズに入れること。
Equip series 1/4W 100-ohm resistor near each terminal of the jig which is connected to P5001 and P5002.

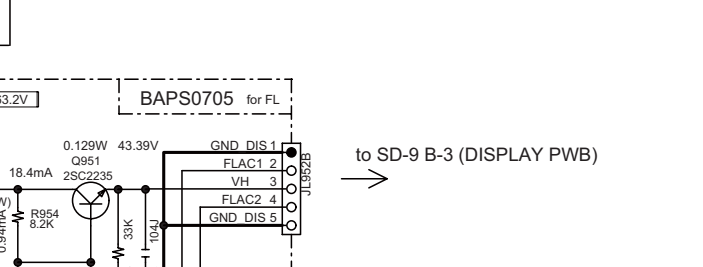
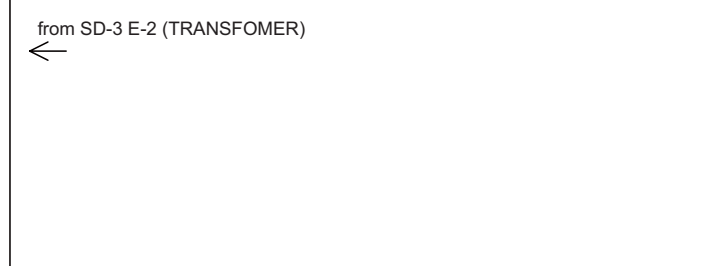
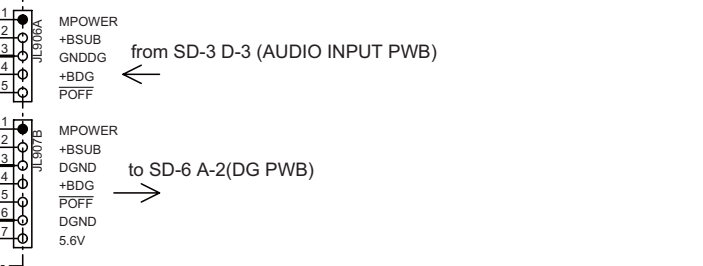
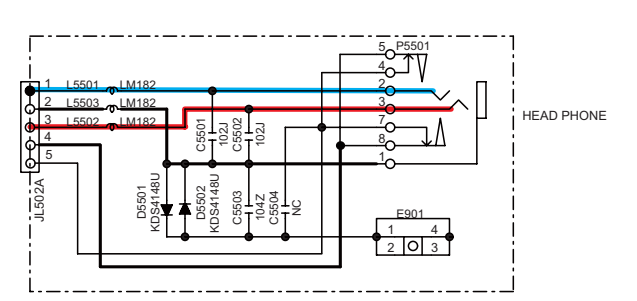
3) 調整にはIDLING TIMER (テストモード)を使用して下さい。
Please adjust them by using IDLING TIMER (TEST MODE).

3-1 テストモードの入り方
HOW TO ENTER TEST MODE

a. VOLUMEが25の時にZONE2 OFFキーを押しながら、MEMORYキーを押すと表示管に"TEST_"と表示される。
When the VOLUME of the unit is 25, press MEMORY button while pressing down ZONE2 OFF button to display "TEST_" on the FLT.

b. 次に、SPEAKER-Aを押すとIDLING TIMER (テストモード)に入る。
When next, SPEAKER-A is pushed. IDLING TIMER (TEST MODE) it enters.

c. テストモードを終わるにはON/STANDBYキーを押す。
Press ON/STANDBY button to exit test mode.



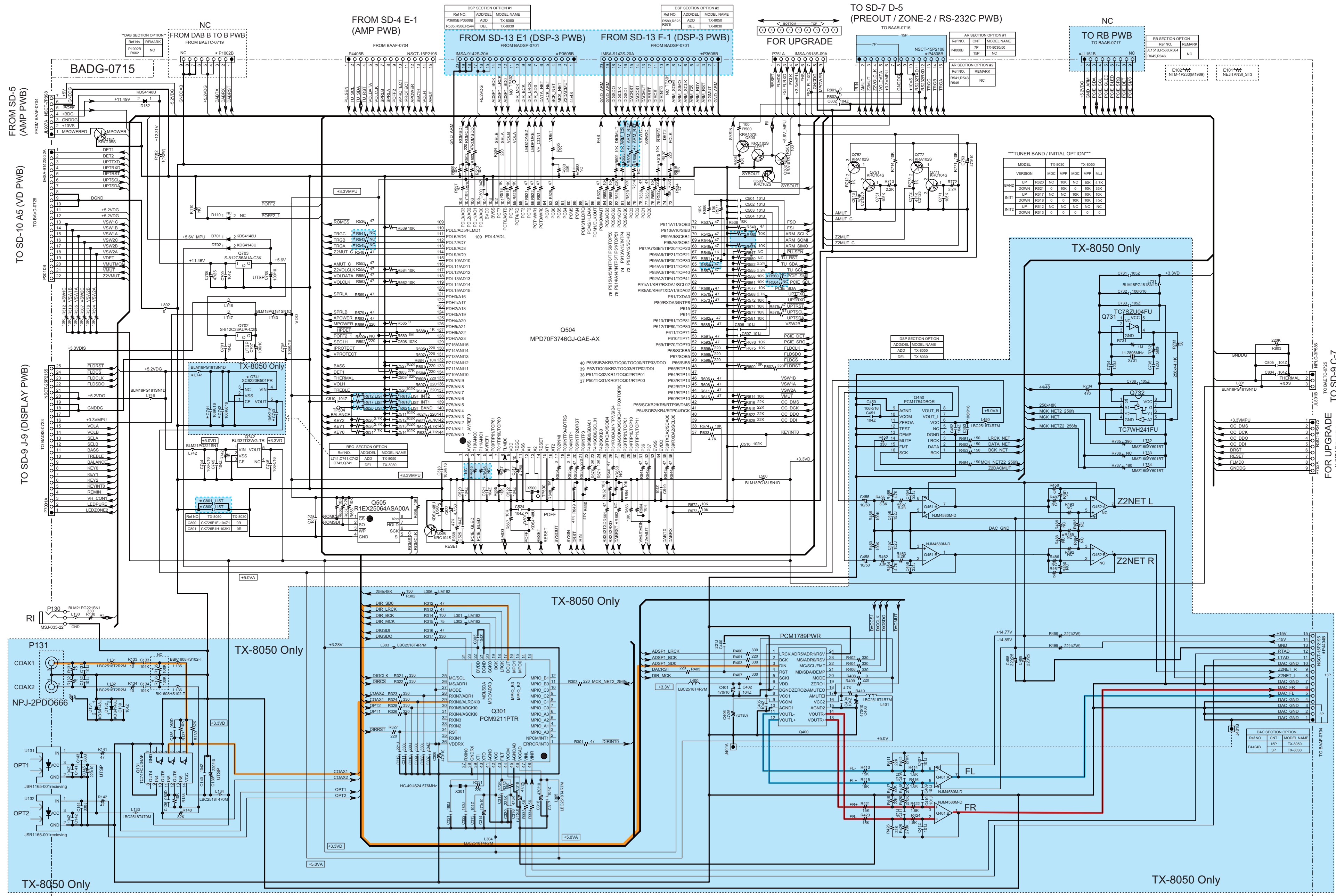
1
2
3
4
5
6
7
8

from SD-4 K-3
from SD-4 K-3 (AUDIO INPUT PWB)
to SD-4 K-7 (AUDIO INPUT PWB)
to SD-4 K-3

to SD-9 B-3 (DISPLAY PWB)

SCHEMATIC DIAGRAM - 6 (SD - 6)
MICON / DAC / DIR SECTION

1
2
3
4
5
6
7
8



DSP SECTION OPTION #1

Ref No.	ADD	DEL	MODEL NAME
P3605B	P3605B		TX-8050
P3605B	P3605B		TX-8030

DSP SECTION OPTION #2

Ref No.	ADD	DEL	MODEL NAME
R980A	R980A		TX-8050
R980A	R980A		TX-8030

AR SECTION OPTION #1

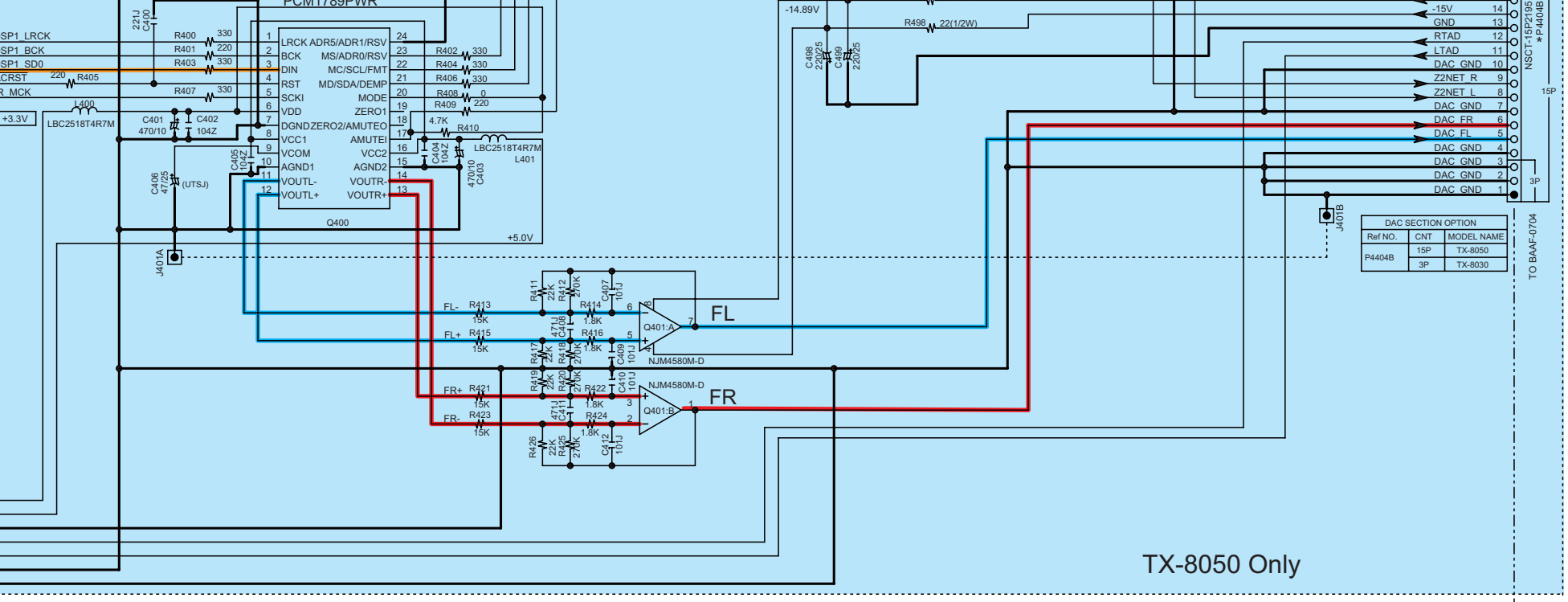
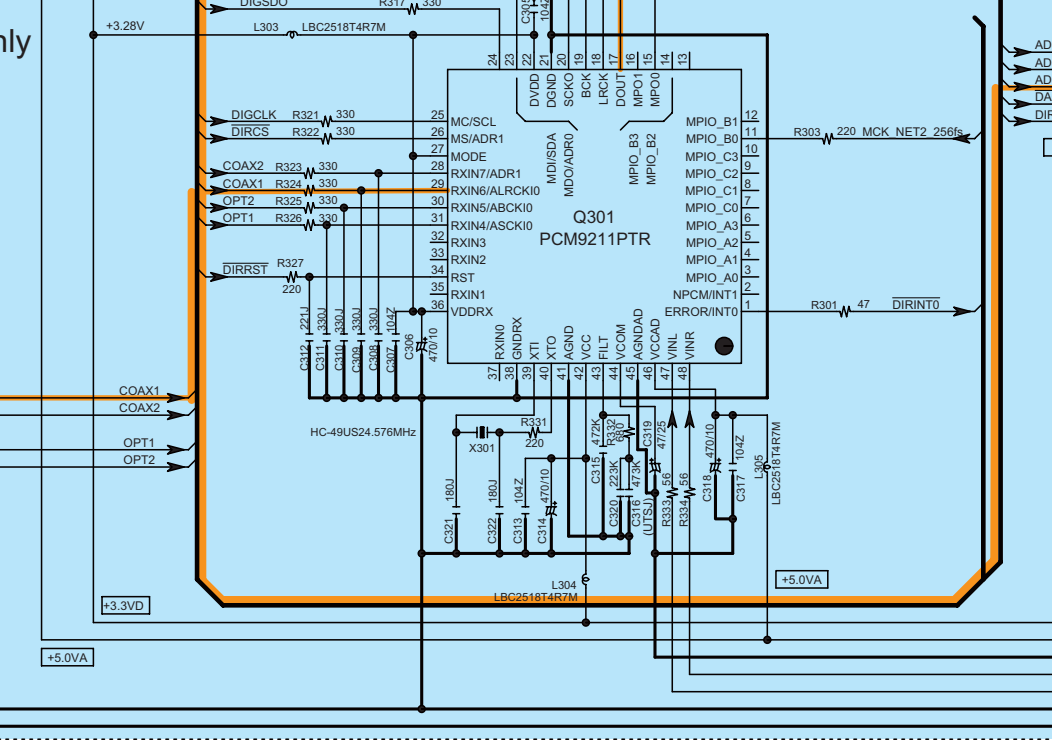
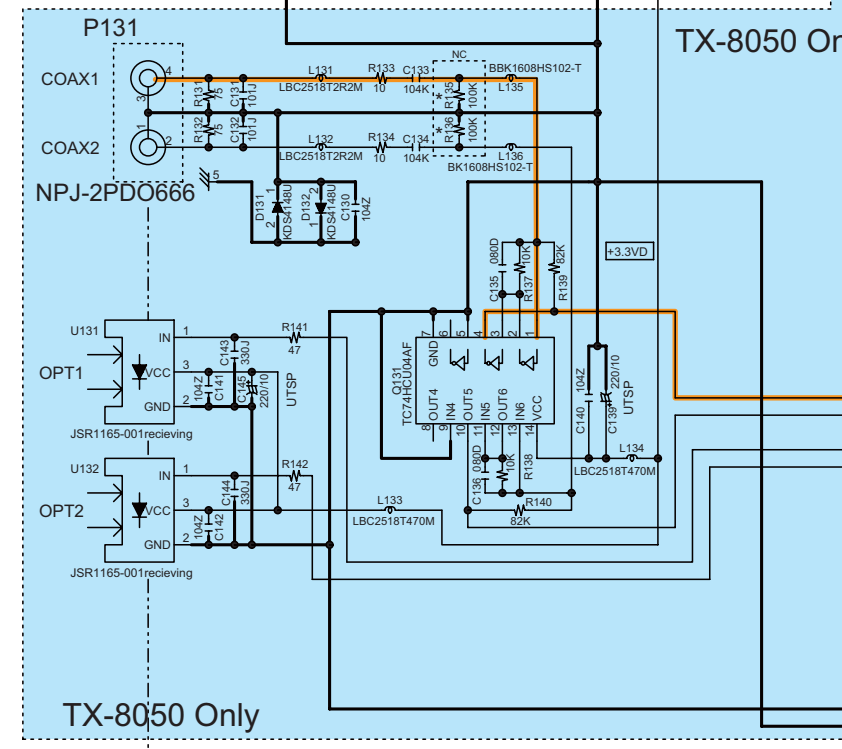
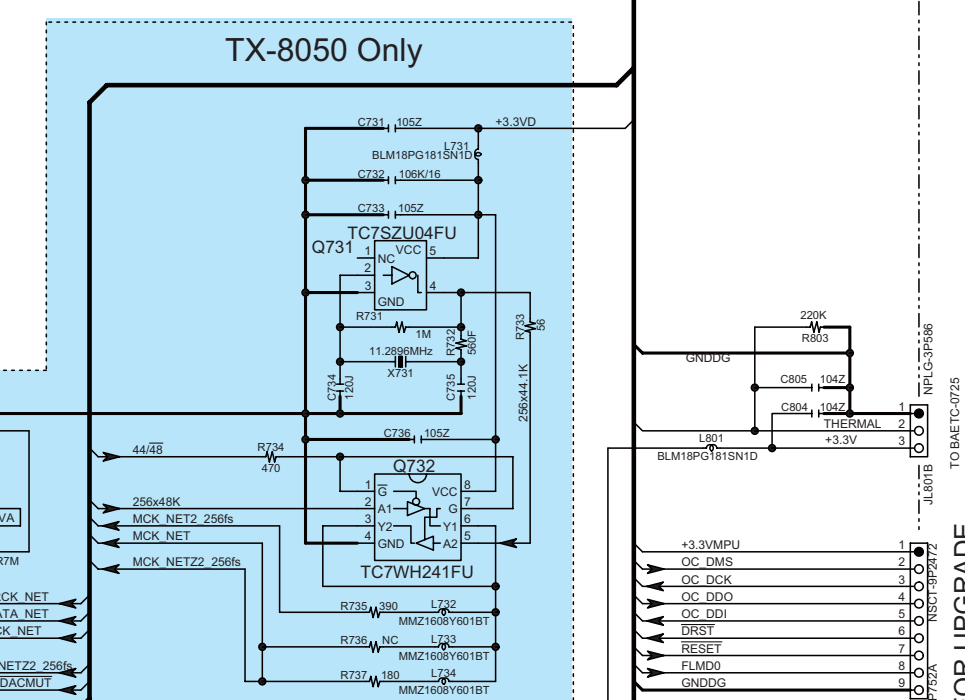
Ref No.	ADD	DEL	MODEL NAME
P4608B	P4608B		TX-8050
P4608B	P4608B		TX-8030

AR SECTION OPTION #2

Ref No.	ADD	DEL	MODEL NAME
R941A	R941A		TX-8050
R941A	R941A		TX-8030

TUNER BAND / INITIAL OPTION

MODEL	TX-8030	TX-8050					
VERSION	MDC	MPP	MDC	MPP	MJU		
BRAND	UP	R820	NC	10K	NC	10K	4.7K
INT1	DOWN	R821	NC	10K	NC	10K	33K
INT2	DOWN	R822	NC	10K	NC	10K	10K
INT3	DOWN	R823	NC	10K	NC	10K	10K
INT4	DOWN	R824	NC	10K	NC	10K	10K
INT5	DOWN	R825	NC	10K	NC	10K	10K
INT6	DOWN	R826	NC	10K	NC	10K	10K
INT7	DOWN	R827	NC	10K	NC	10K	10K
INT8	DOWN	R828	NC	10K	NC	10K	10K
INT9	DOWN	R829	NC	10K	NC	10K	10K
INT10	DOWN	R830	NC	10K	NC	10K	10K



Audio signal line (DAC OUT)
L channel
R channel

Digital signal line (COAX1)

TO SD-9 C-7 (THERMAL SENSOR PWB)
FOR UPGRADE U-COM Debugging

TO SD-4 E-1 (AUDIO INPUT PWB)

TX-8050 Only

TX-8050 Only

TX-8050 Only

TX-8050 Only

TX-8050 Only

TX-8050 Only

TX-8050 Only

TX-8050 Only

TX-8050 Only

SCHMATIC DIAGRAM - 7 (SD - 7)
PREOUT / ZONE-2 / RS-232C SECTION

1
2
3
4
5

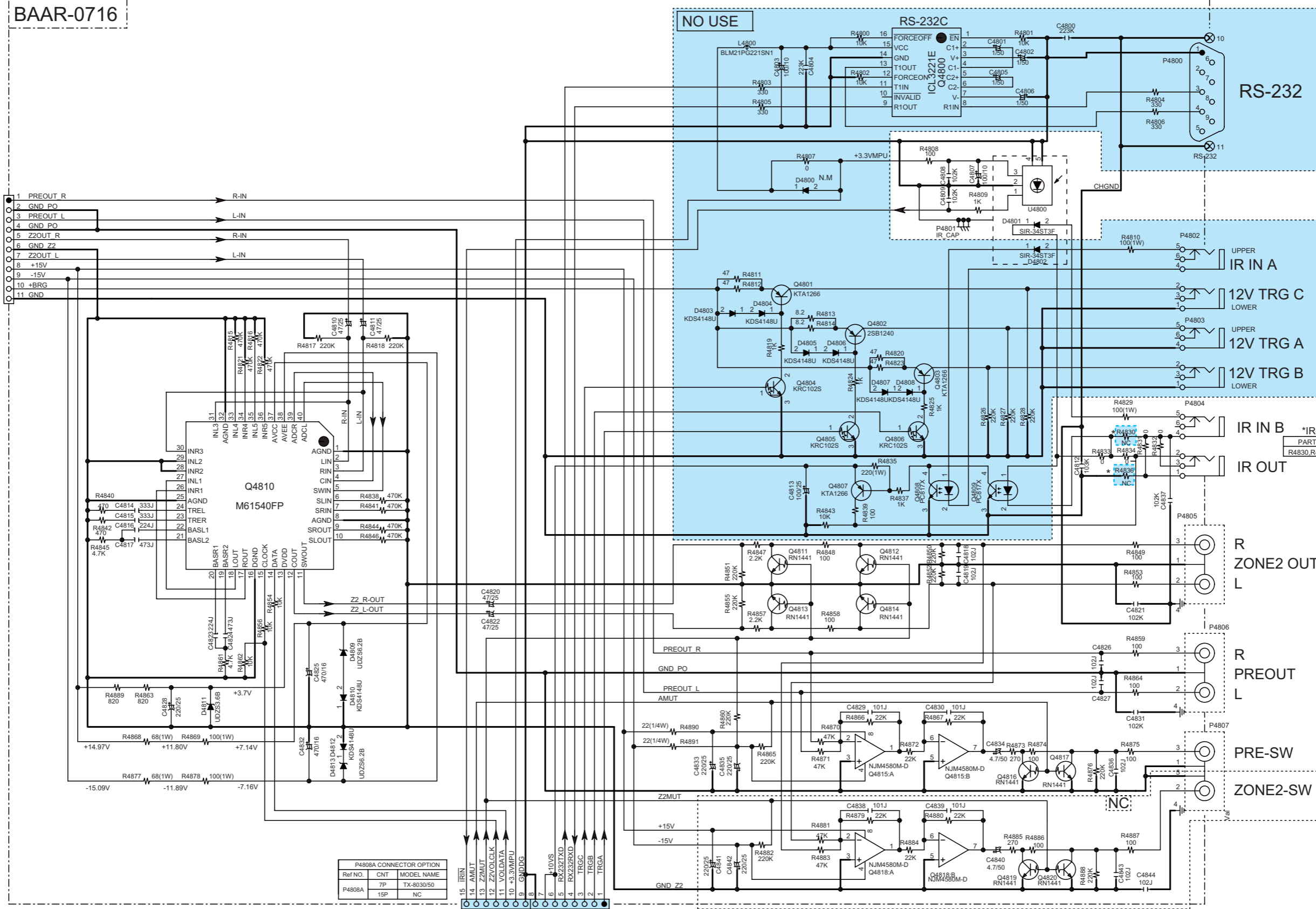
FROM SD-4 H-1
 (AUDIO INPUT PWB)

BAAR-0716

NO USE

RS-232C

RS-232

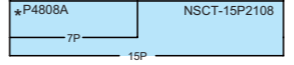


IR-OPTION

PARTS	MODEL
R4830, R4836	NC

P4808A CONNECTOR OPTION

Ref NO.	CNT	MODEL NAME
P4808A	7P	TX-8030/50
	15P	NC



FROM BADG-0715
 FROM SD-6 G-1 (DG PWB)

SCHMATIC DIAGRAM - 8 / 9 (SD - 8 / SD - 9)

SD - 8 : USB SECTION

SD - 9 : DISPLAY SECTION

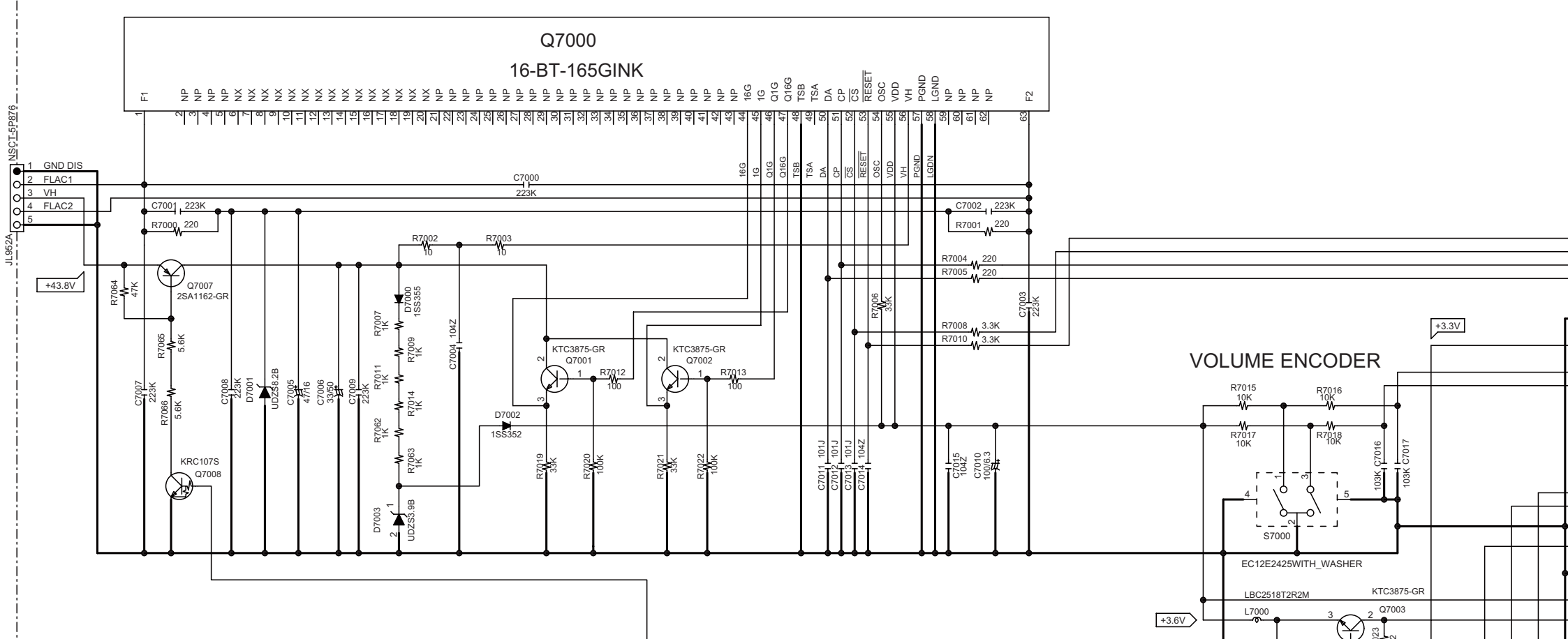
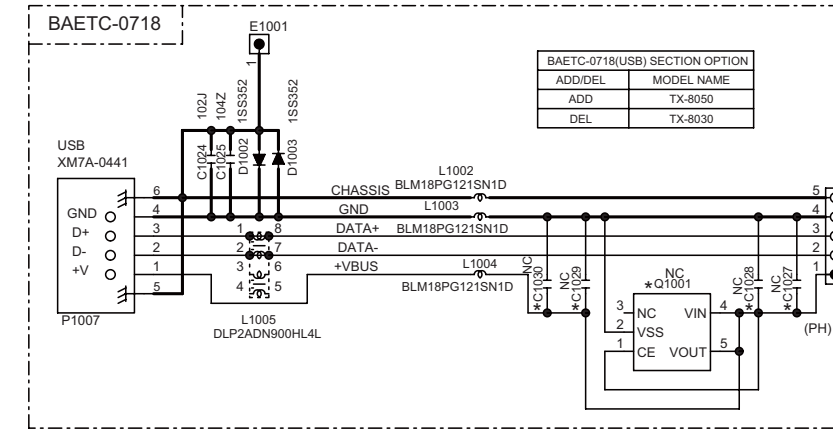
1
2
3
4
5
6
7
8

FROM SD-5 J-8 (POW AMP PWB)

FROM SD-12 H-1 (DSP-2 PWB)

FROM SD-6 A-4 (MICON PWB)

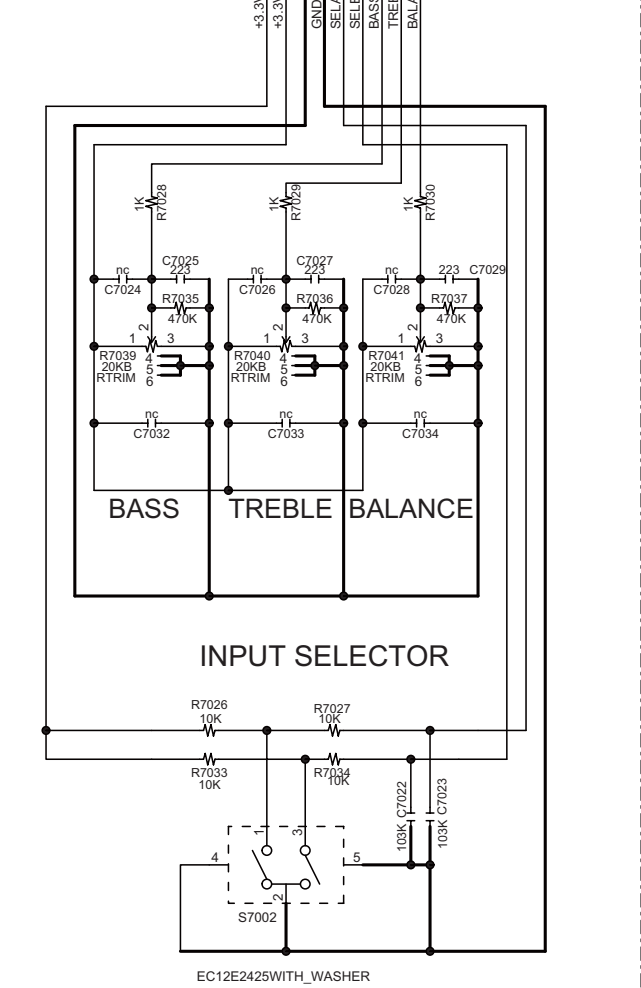
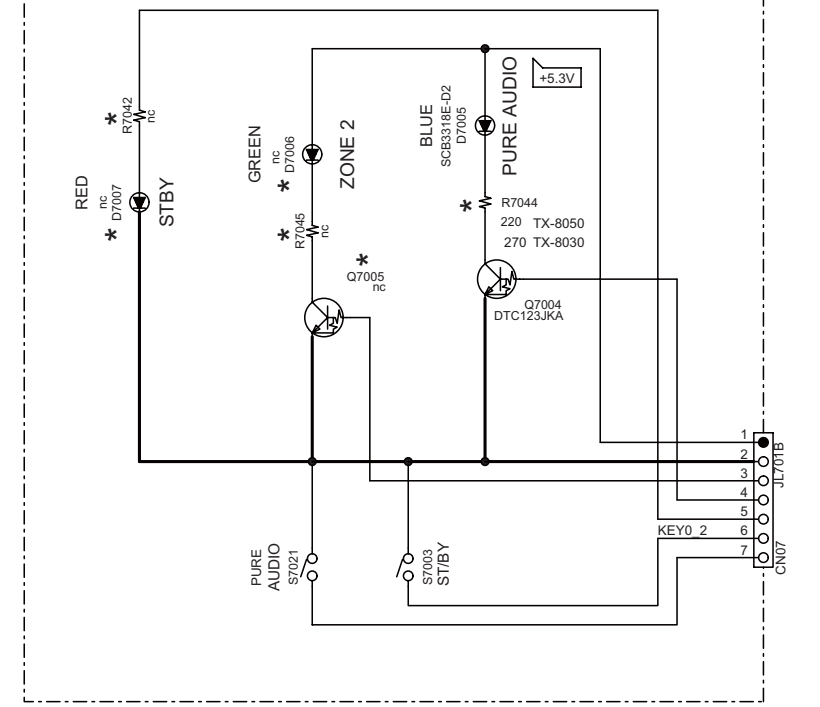
BADIS-0723



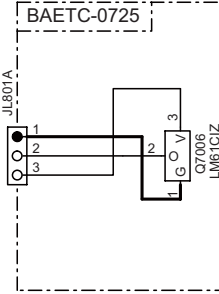
VOLUME ENCODER

BASW-0724

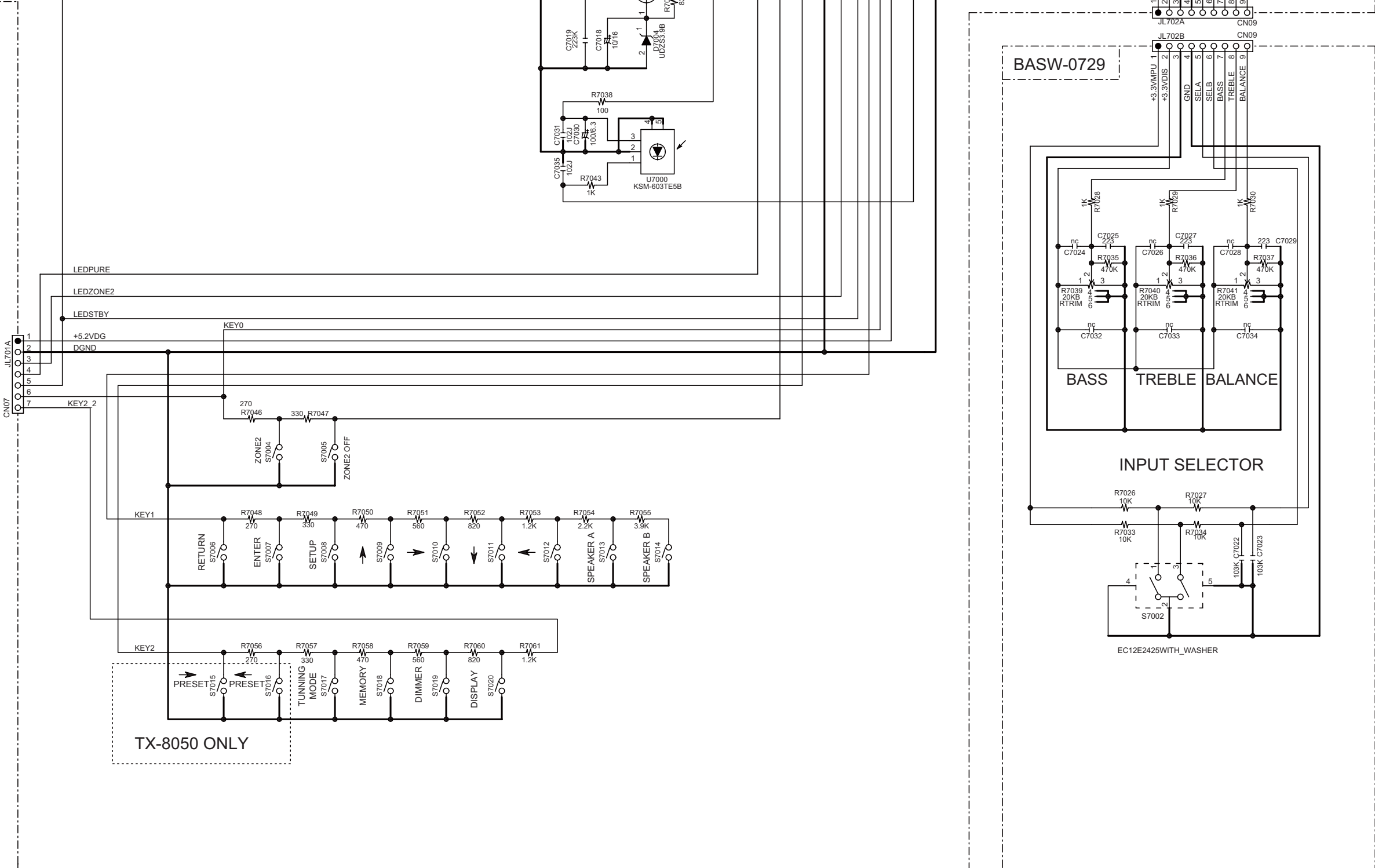
BASW-0729



FROM SD-6 K-4 (MICON PWB)



TX-8050 ONLY



SCHEMATIC DIAGRAM - 10 (SD - 10)
VIDEO / U.PORT SECTION

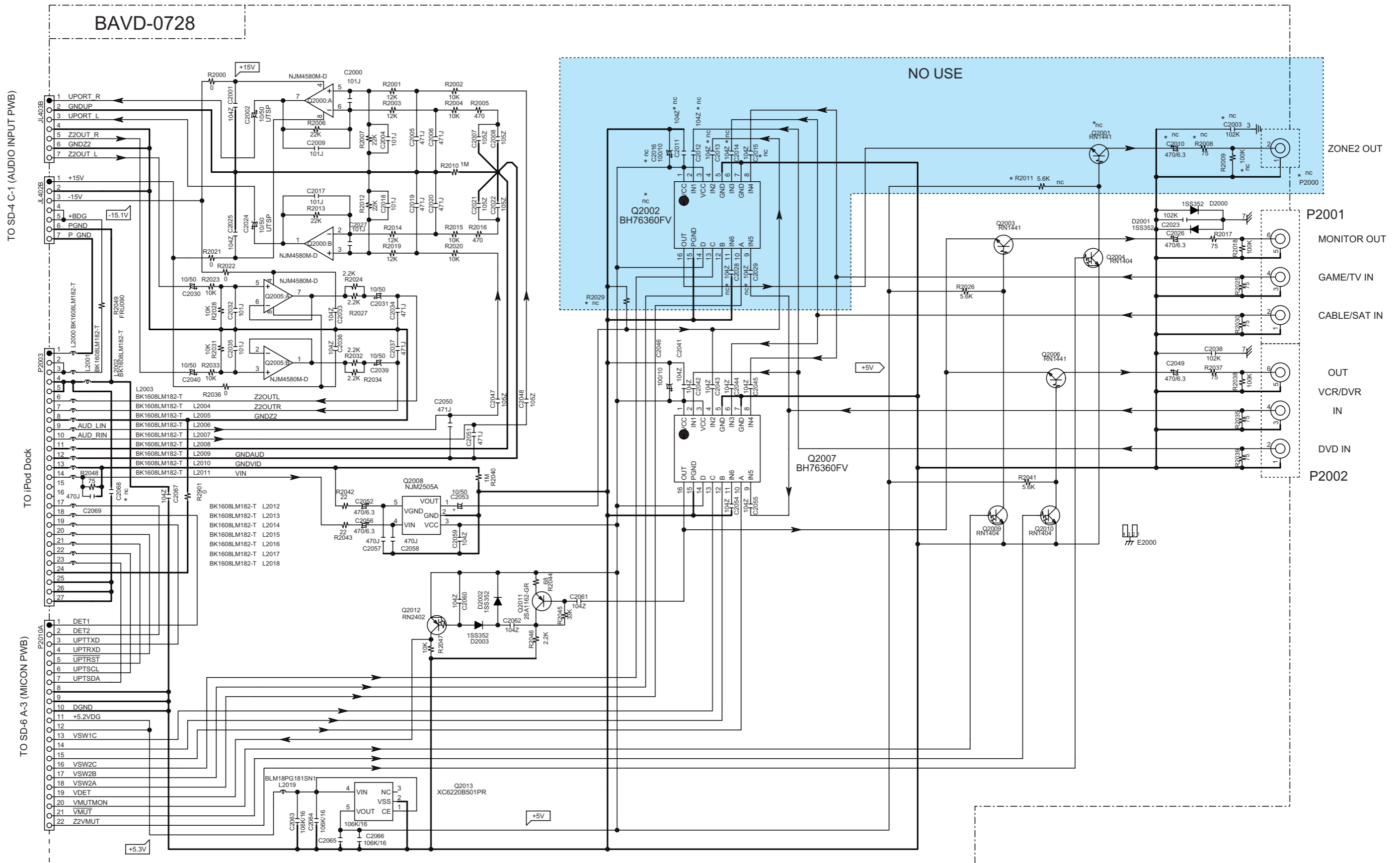
1

2

3

4

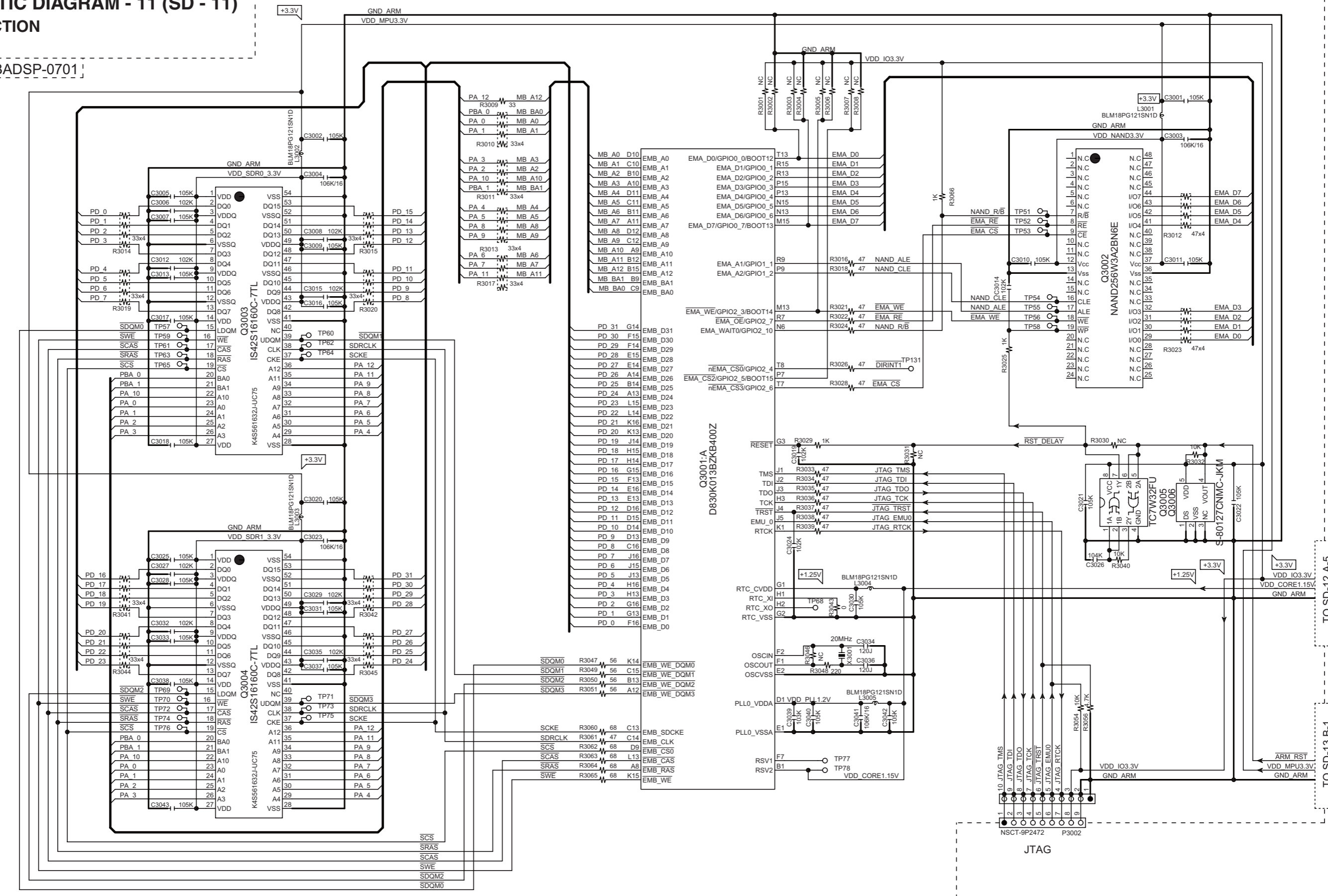
5



SCHEMATIC DIAGRAM - 11 (SD - 11) DSP-1 SECTION

1
2
3
4
5

BADSP-0701



TO SD-12 A-5
DSP-2 PWB
BADSP-0701

TO SD-13 B-1
DSP-3 PWB
BADSP-0701

JTAG

SCHEMATIC DIAGRAM - 12 (SD - 12) DSP-2 SECTION

1

2

3

4

5

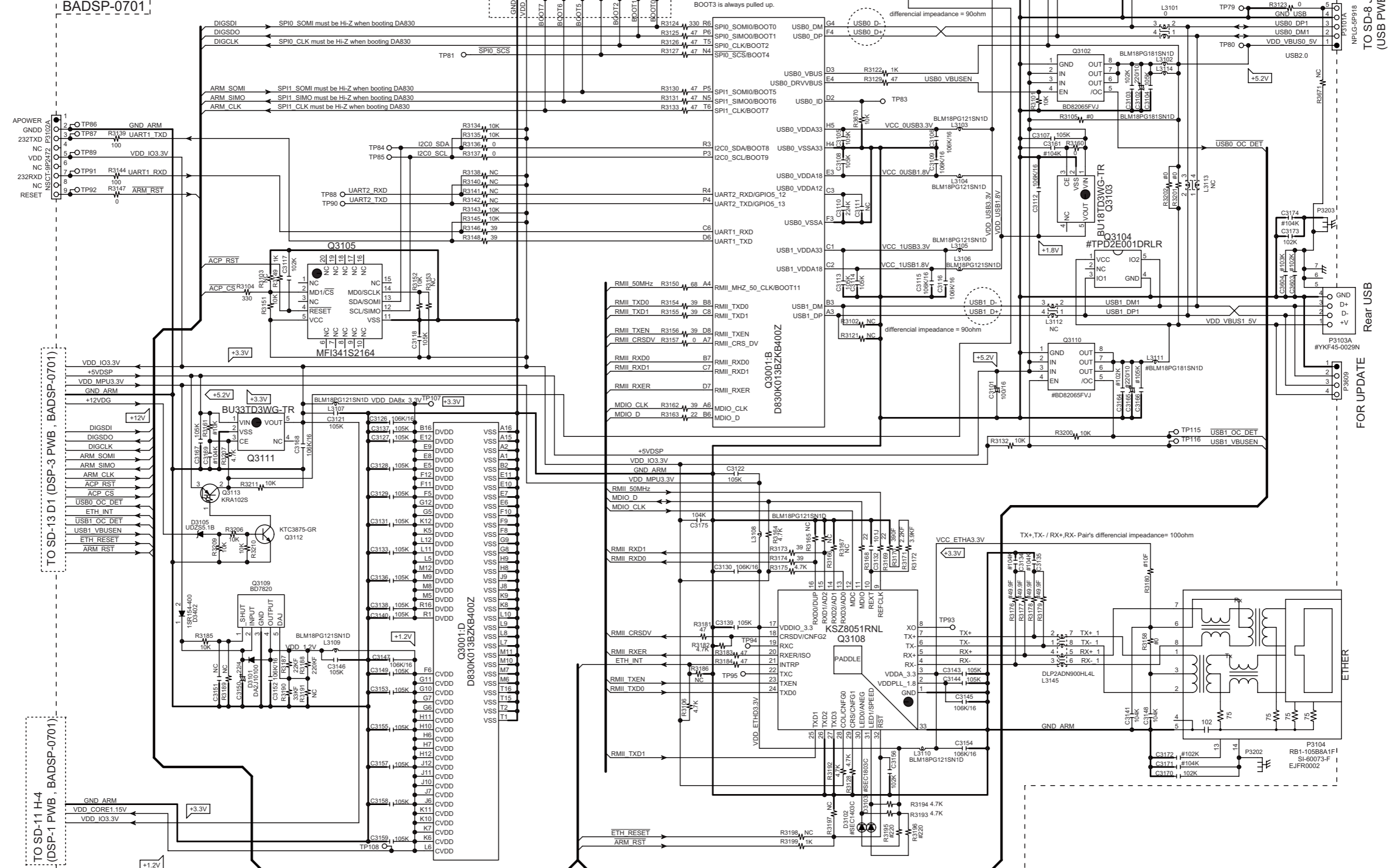
BADSP-0701

R3115 or R3116	BOOT2
R3111 or R3112	BOOT5
R3109 or R3110	BOOT6
R3107 or R3108	BOOT7

Boot Opt.	NAND	UART1	SPI0
BOOT7	L	H	L
BOOT1	L	H	L
BOOT0	H	H	H
BOOT3	H	H	H
BOOT2	H	L	H

BOOT3 is always pulled up.

for Debugging



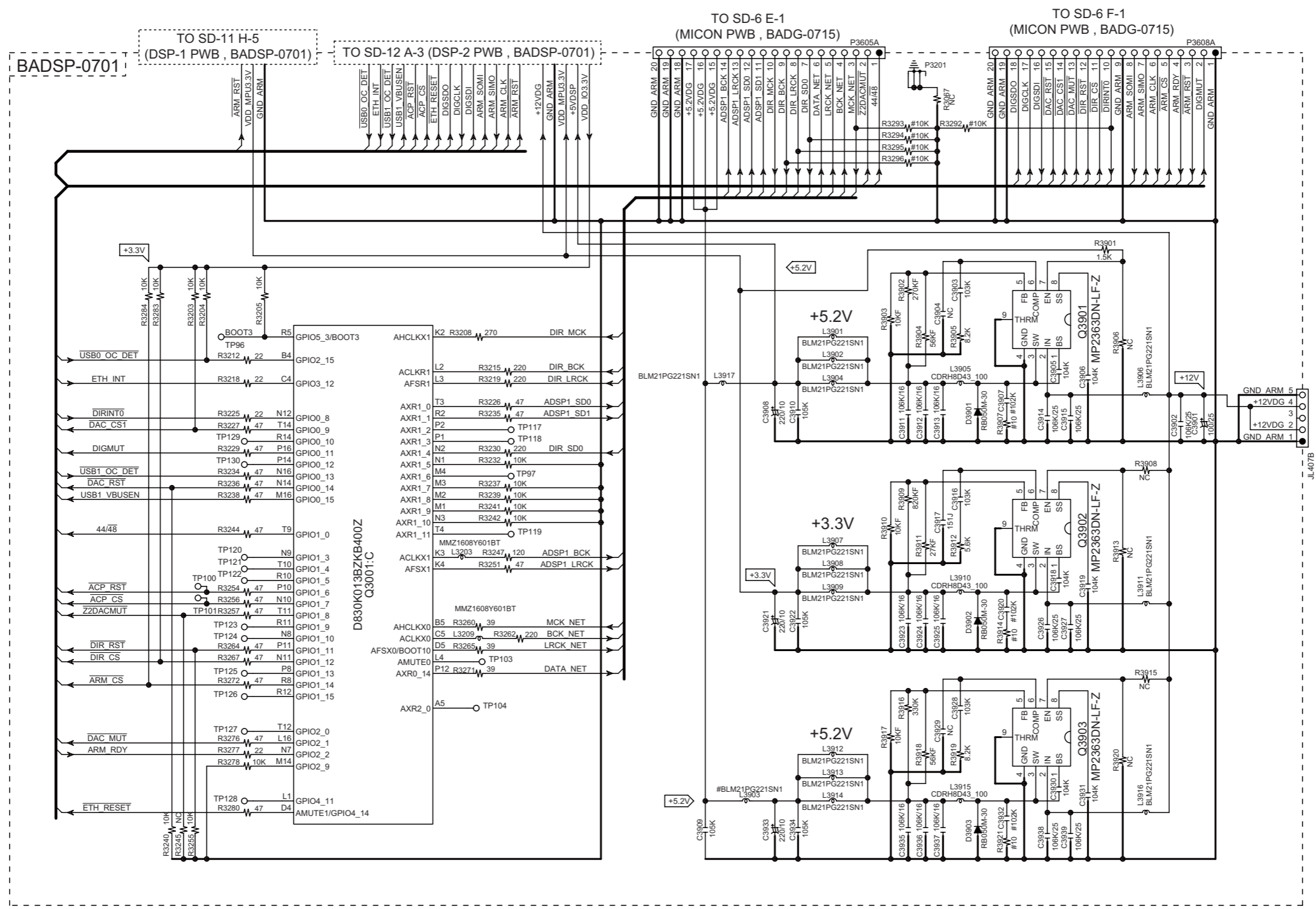
TO SD-13 D1 (DSP-3 PWB : BADSP-0701)

TO SD-11 H-4 (DSP-1 PWB : BADSP-0701)

TO SD-8 J-2 (USB PWB) and Rear USB FOR UPDATE

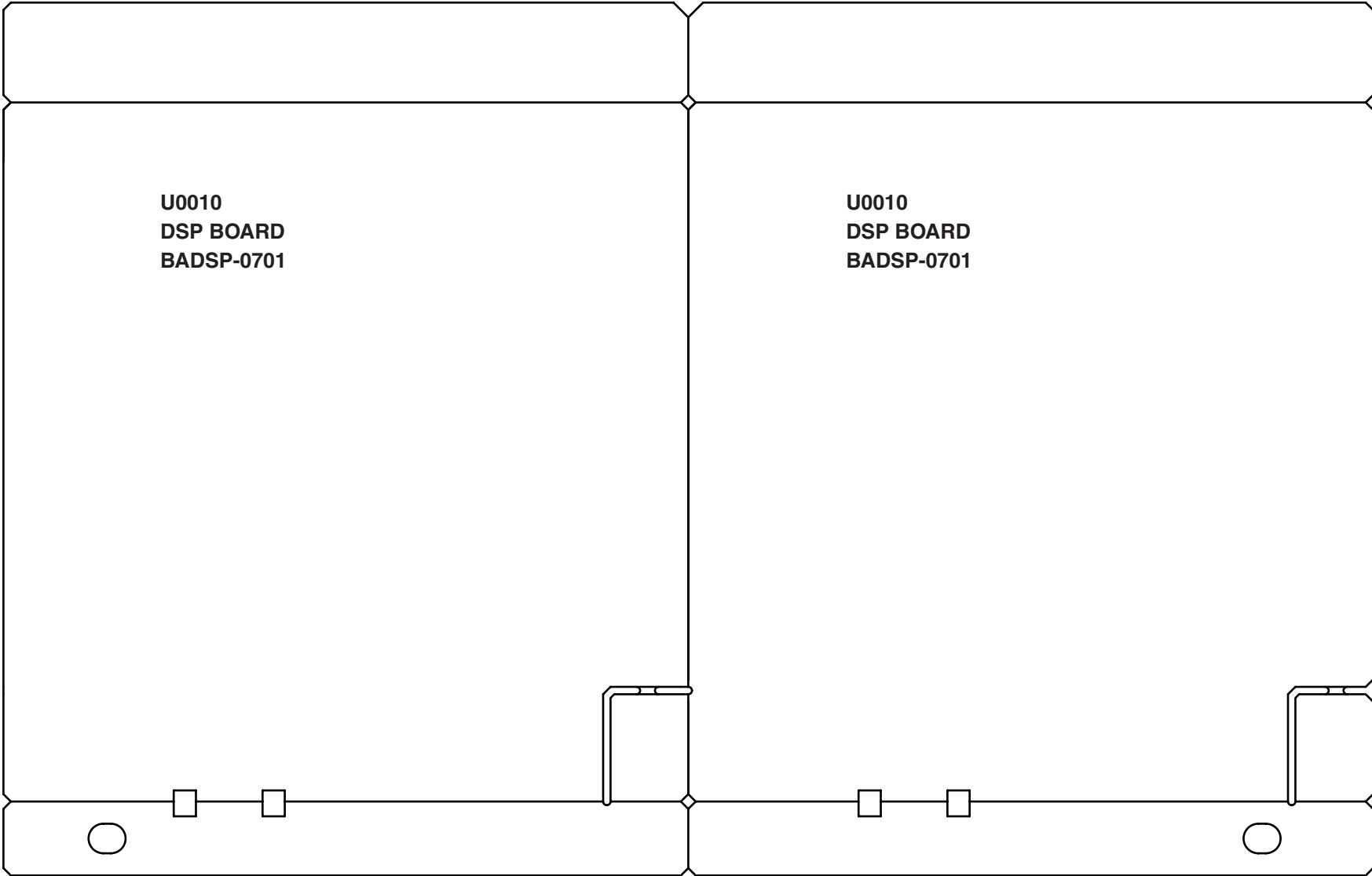
SCHEMATIC DIAGRAM - 13 (SD - 13)
DSP-3 SECTION

1
2
3
4
5



PRINTED CIRCUIT BOARD VIEW-1

U001 DSP BOARD BADSP-0701



A

B

C

D

E

PRINTED CIRCUIT BOARD VIEW-2

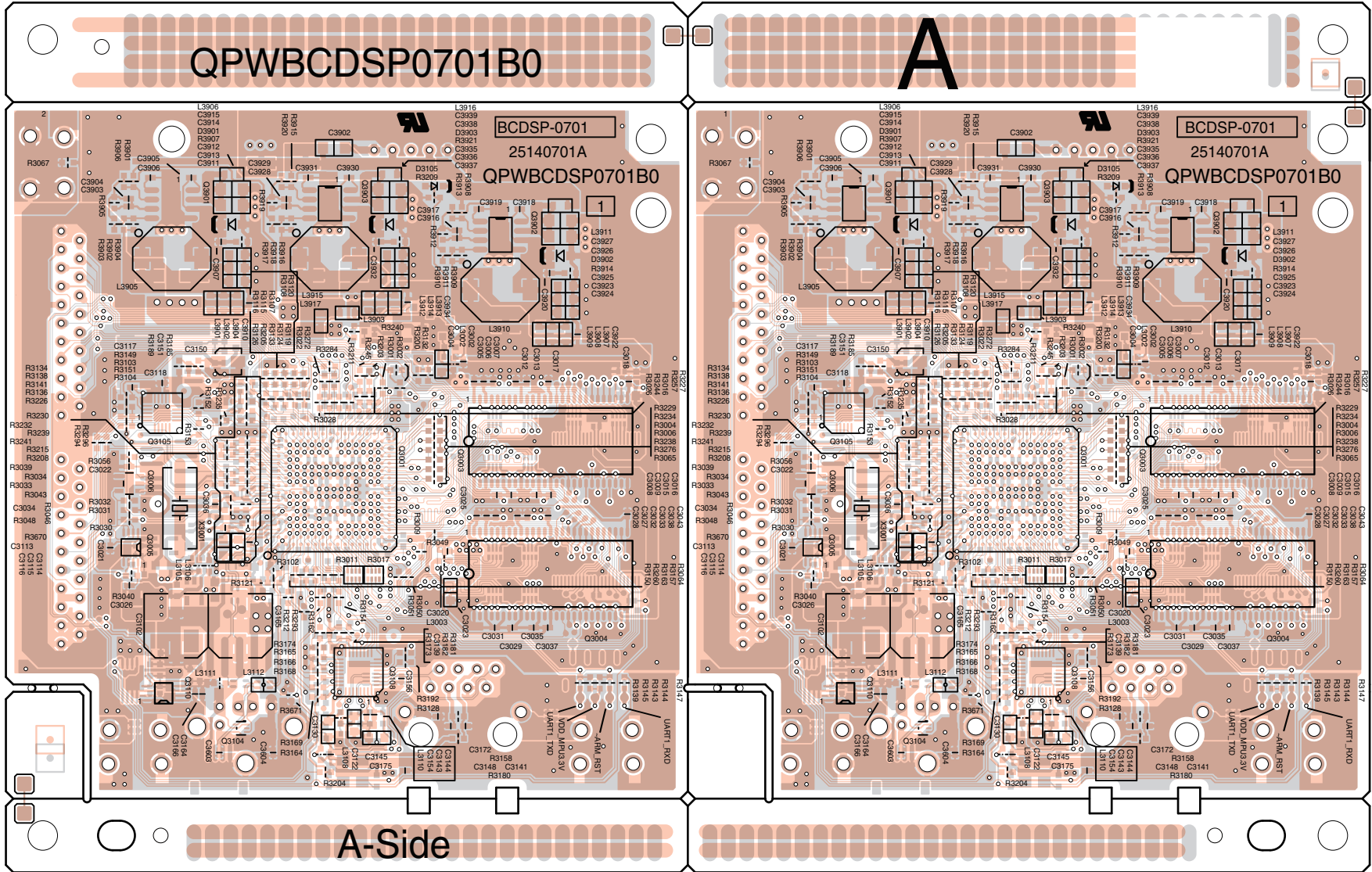
U001 DSP BOARD BADSP-0701

1

2

3

4



A-Side

A side view from B side

A side pattern
 B side pattern

A

B

C

D

E

PRINTED CIRCUIT BOARD VIEW-3

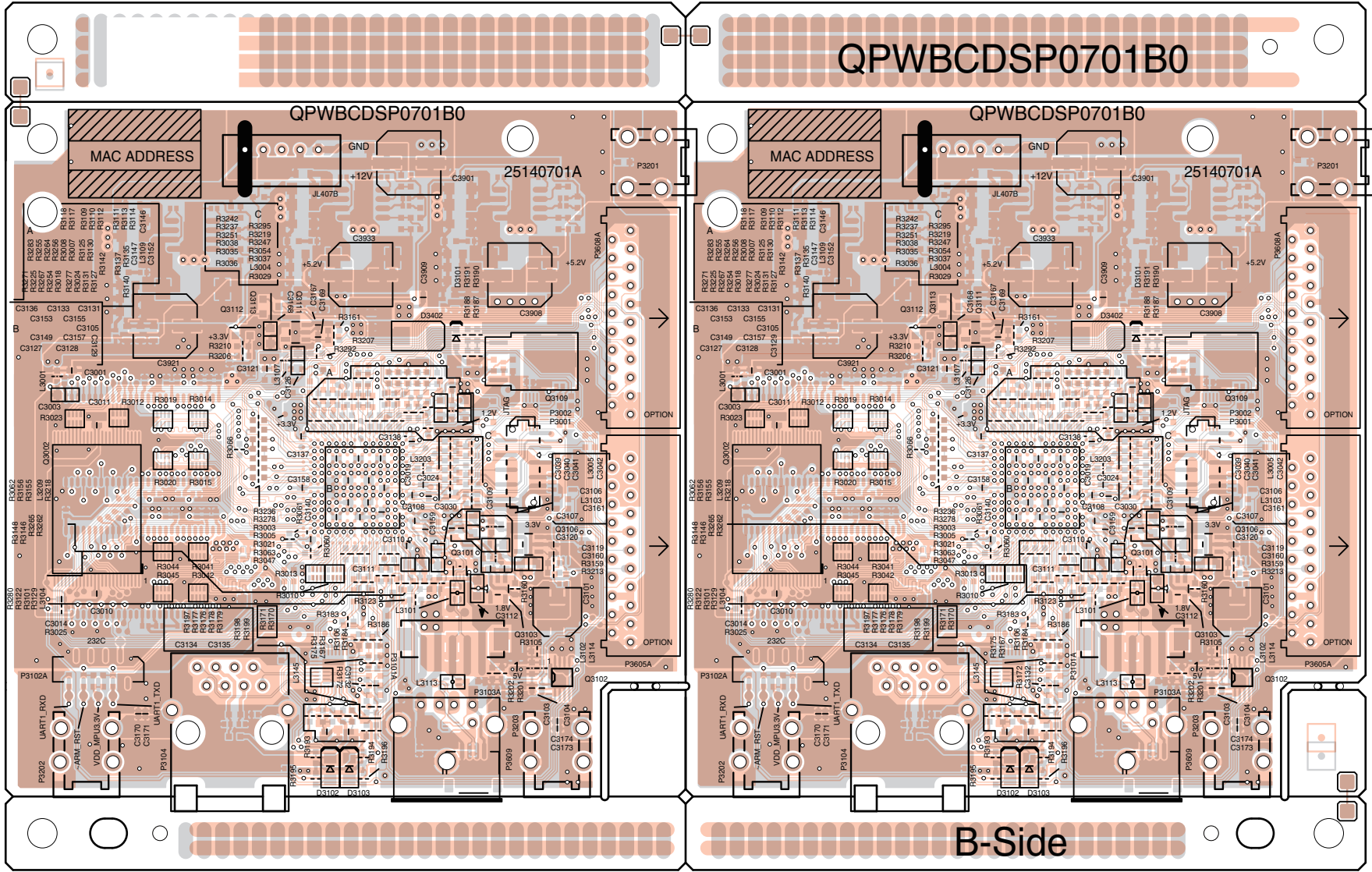
U001 DSP BOARD BADSP-0701

1

2

3

4

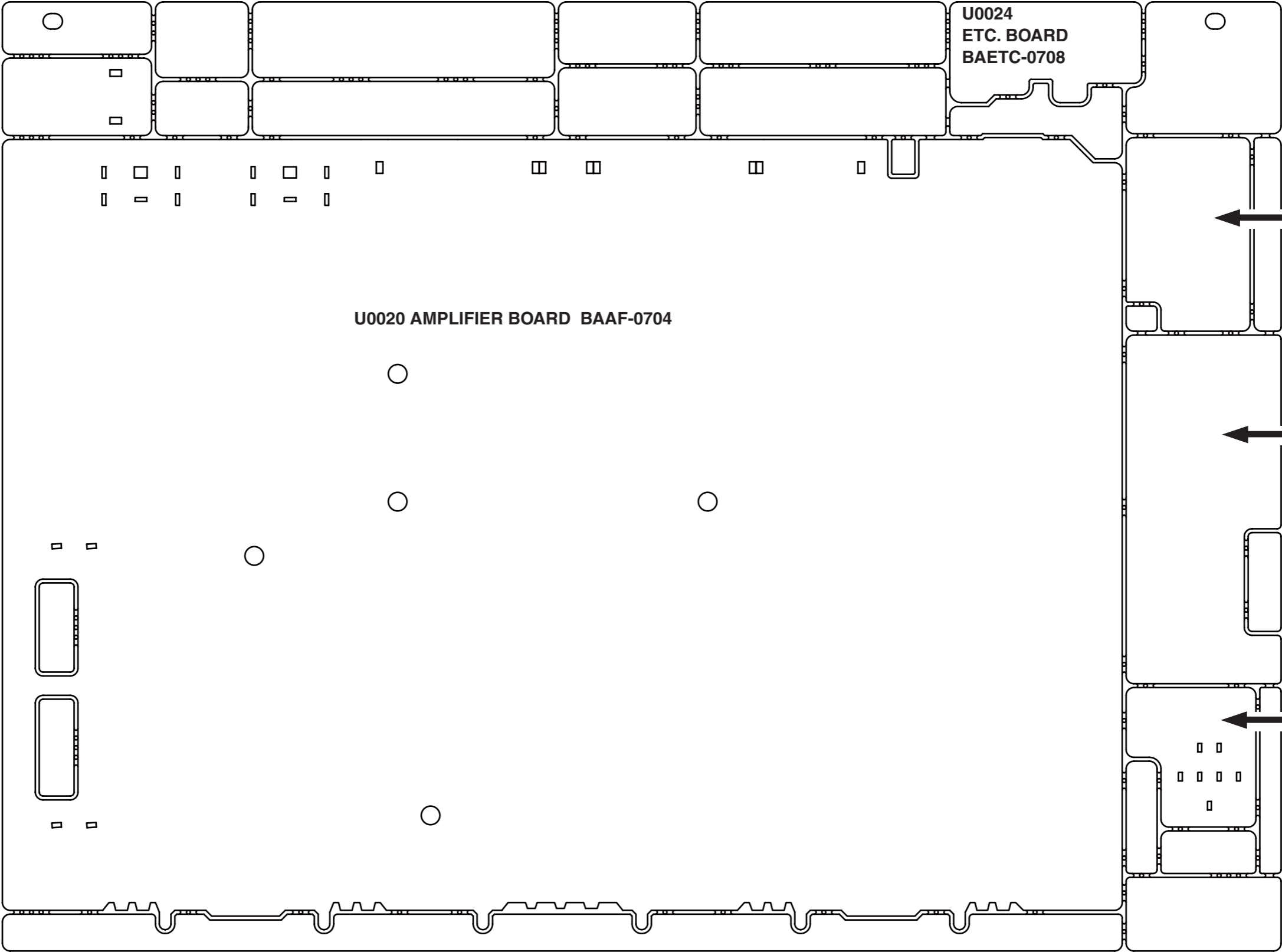


B side view from A side

A side pattern
 B side pattern

PRINTED CIRCUIT BOARD VIEW-4

U002 AMPLIFIER BOARD
BAAF-0704



U0021
FL DRIVE BOARD
BAPS-0705

U0022
TRANS. TERMINAL
BOARD
BAPS-0706

U0023
HP JACK BOARD
BAETC-0707

U0020 AMPLIFIER BOARD BAAF-0704

U0024
ETC. BOARD
BAETC-0708

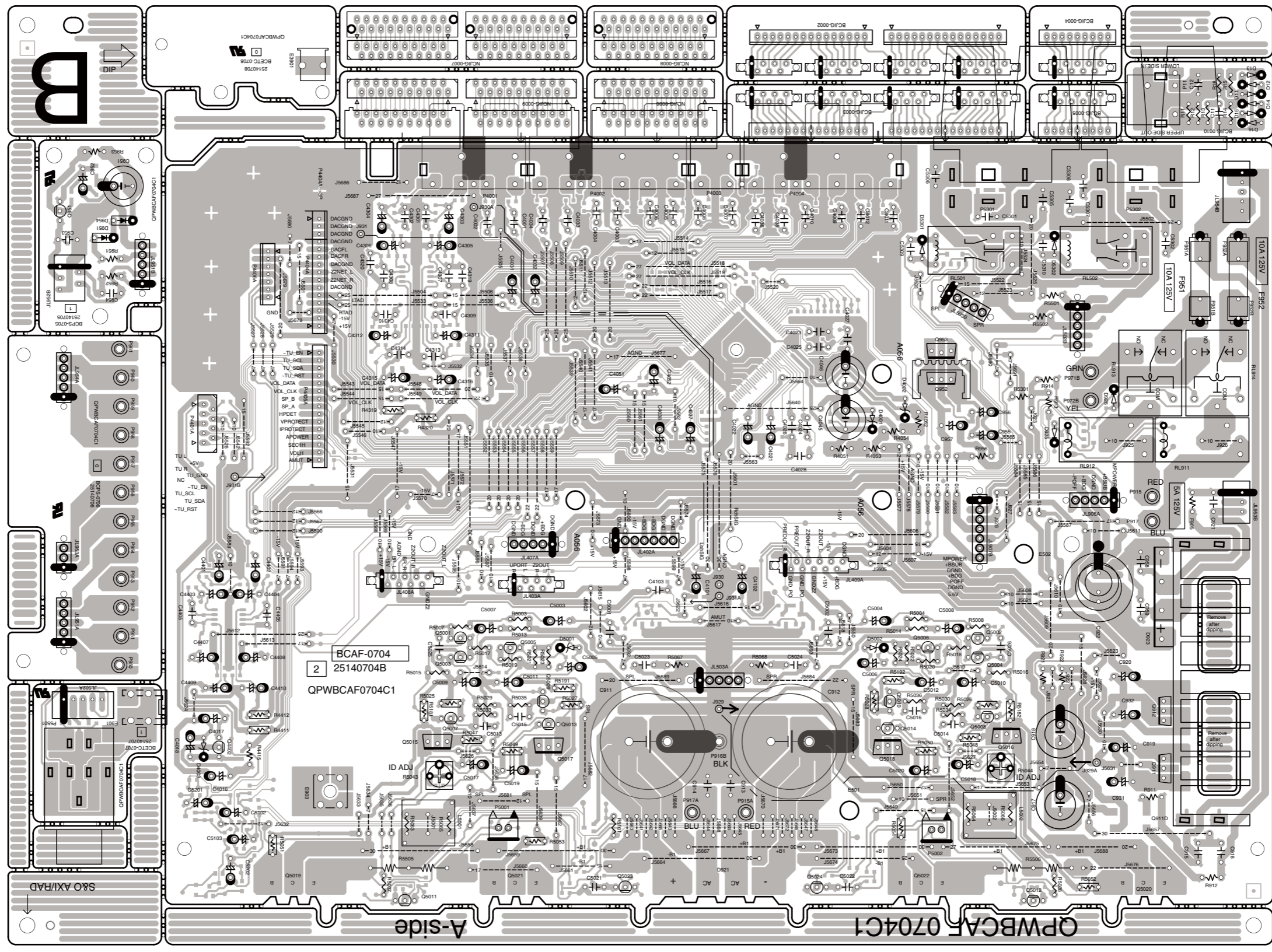
A side view

A B C D E F G H

PRINTED CIRCUIT BOARD VIEW-5

U002 AMPLIFIER BOARD
BAAF-0704

1
2
3
4
5



A side view from B side

A B C D E F G H

PRINTED CIRCUIT BOARD VIEW-6

U002 AMPLIFIER BOARD
BAAF-0704

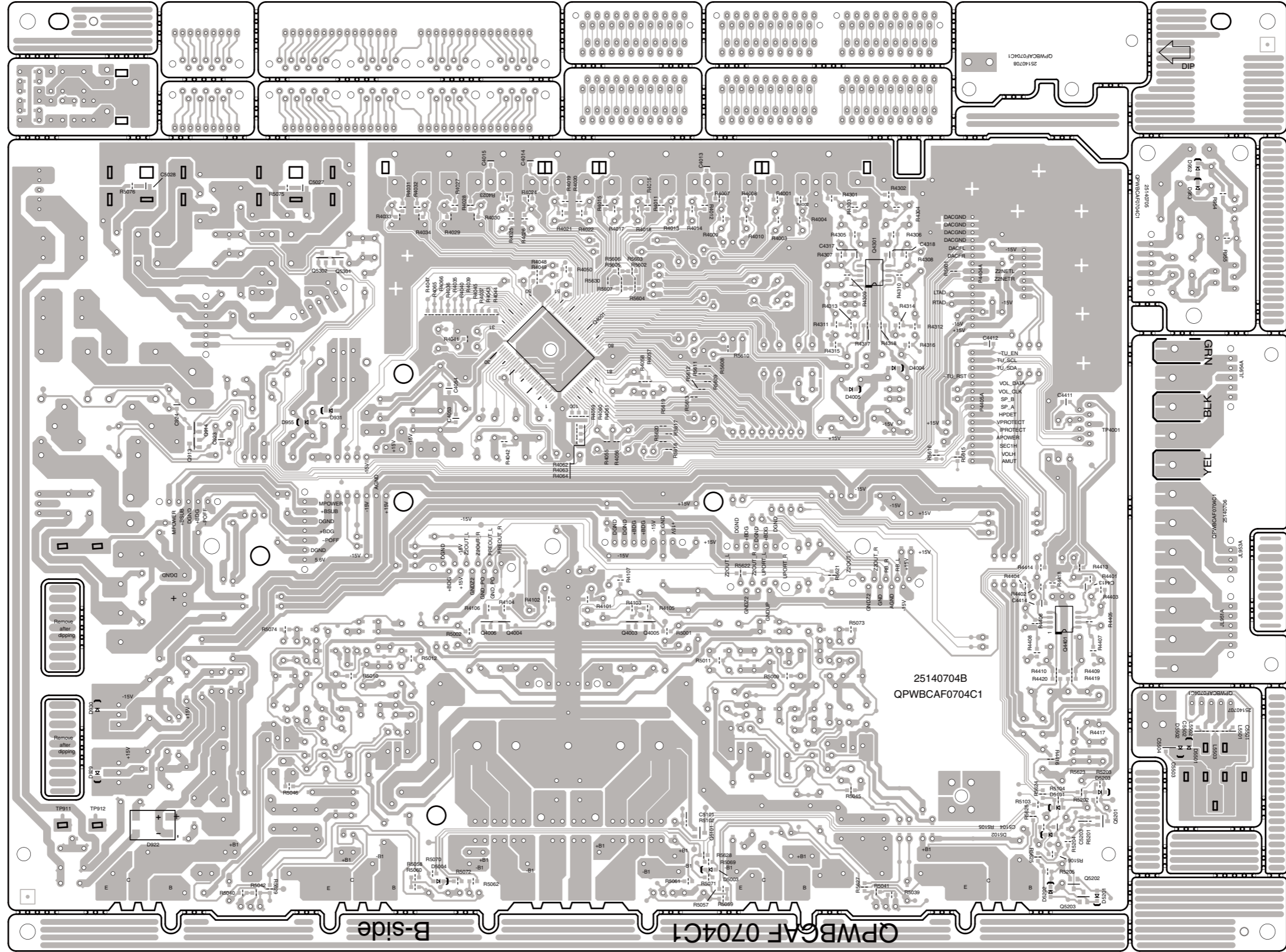
1

2

3

4

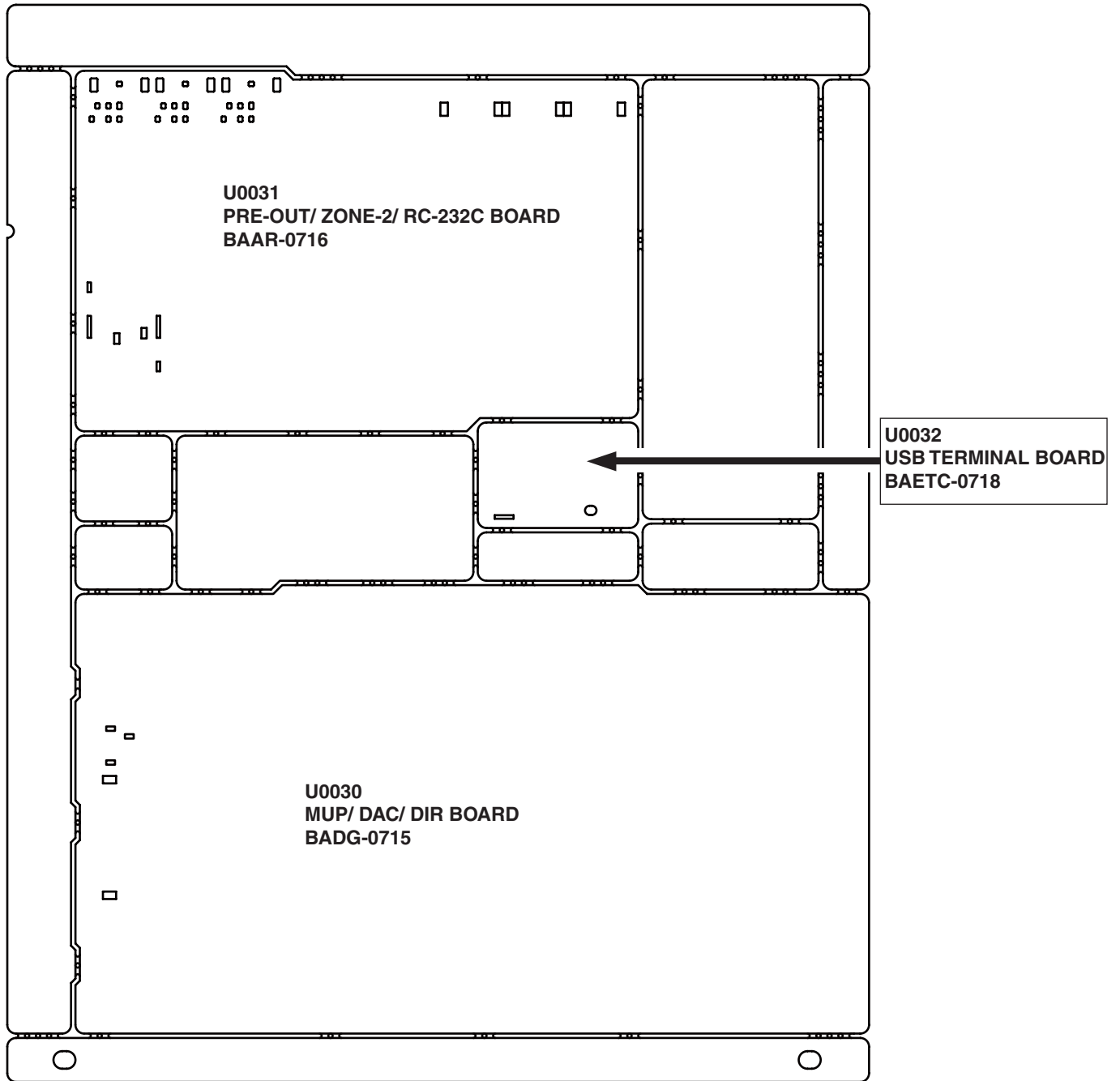
5



B side view from A side

PRINTED CIRCUIT BOARD VIEW-7

U003 MUP/ DAC/ DIR BOARD
BADG-0715



A side view

A

B

C

D

PRINTED CIRCUIT BOARD VIEW-8

U003 MUP/ DAC/ DIR BOARD BADG-0715

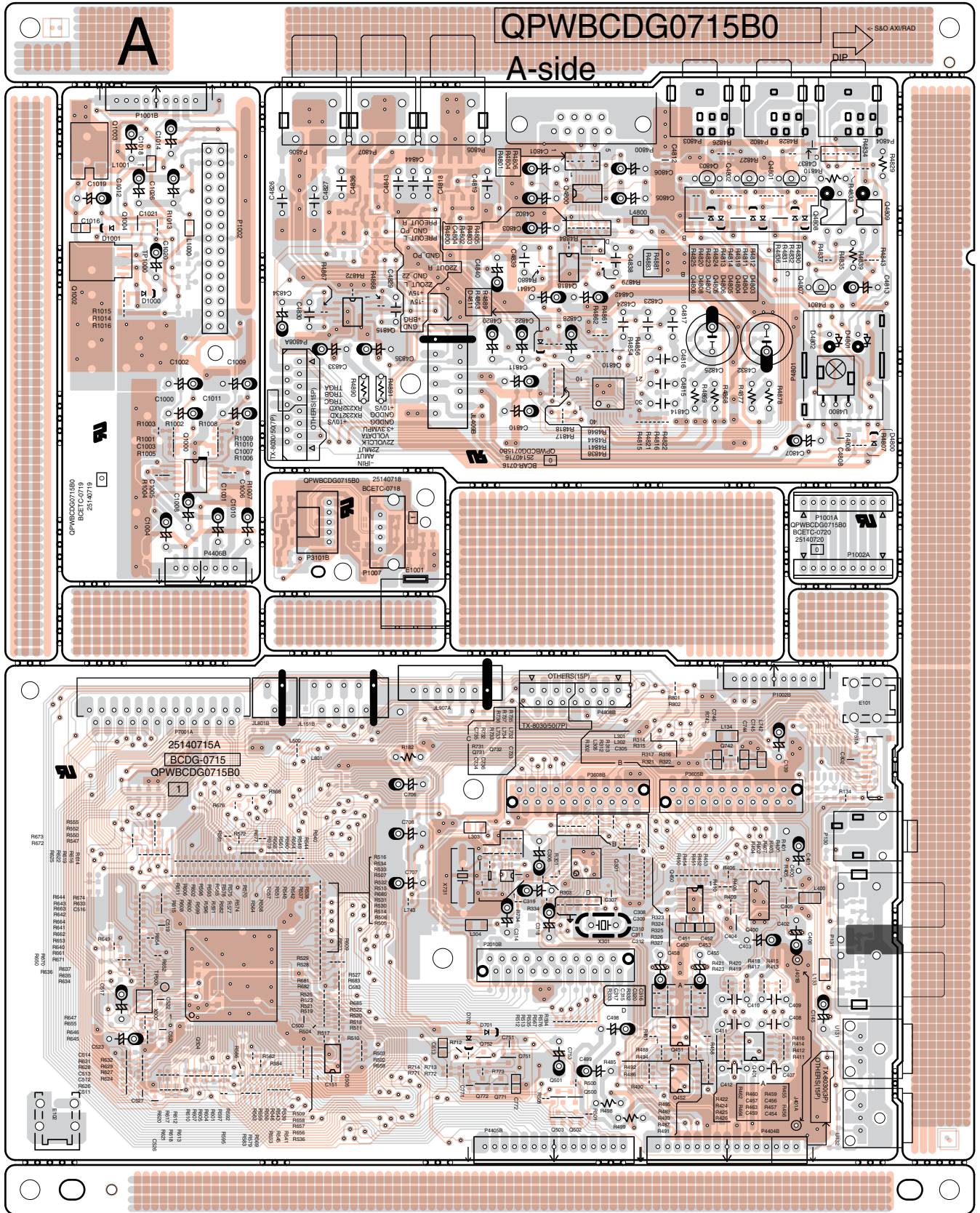
1

2

3

4

5



A side view from B side

B side pattern
 A side pattern

A

B

C

D

PRINTED CIRCUIT BOARD VIEW-9

U003 MUP/ DAC/ DIR BOARD
BADG-0715

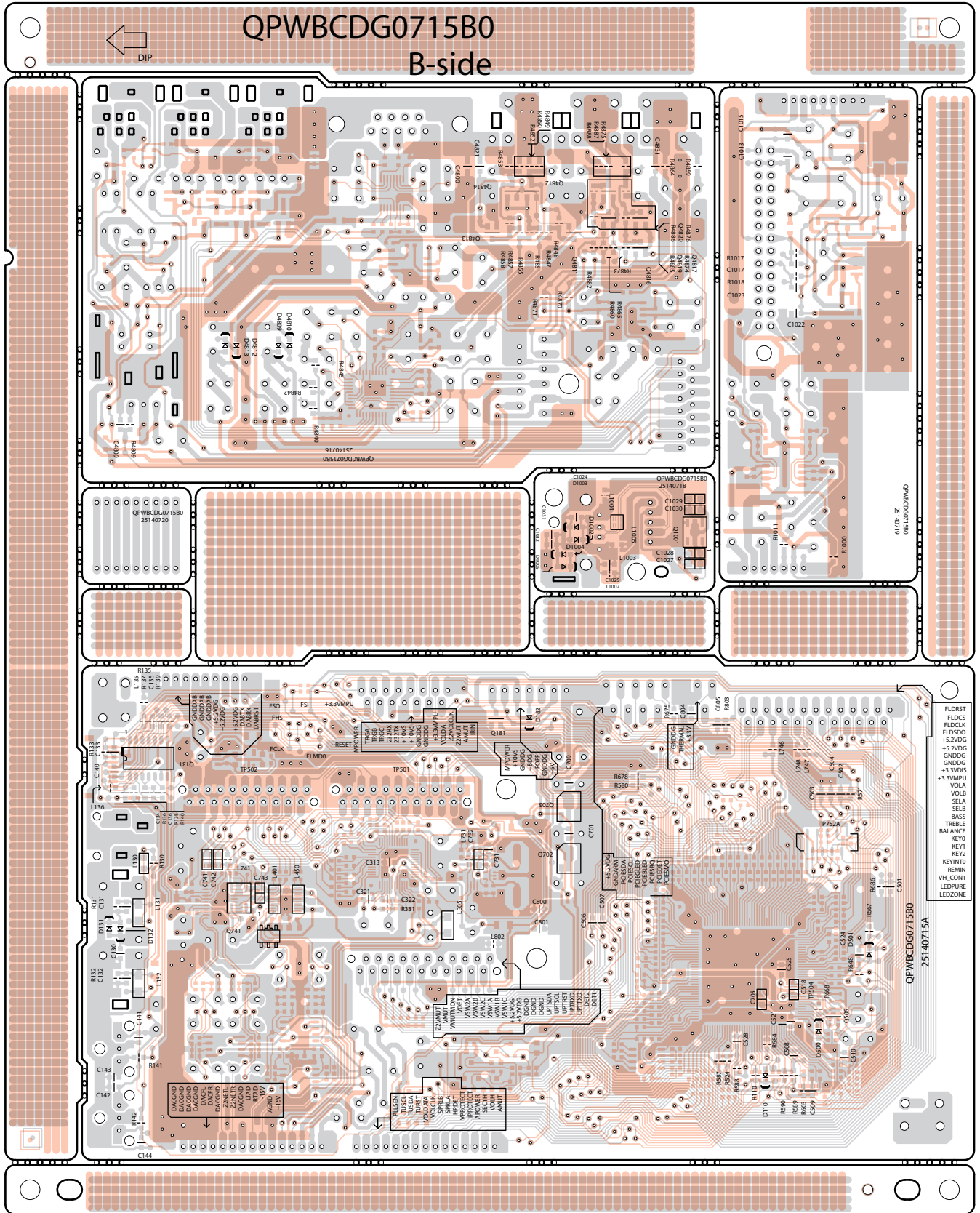
1

2

3

4

5

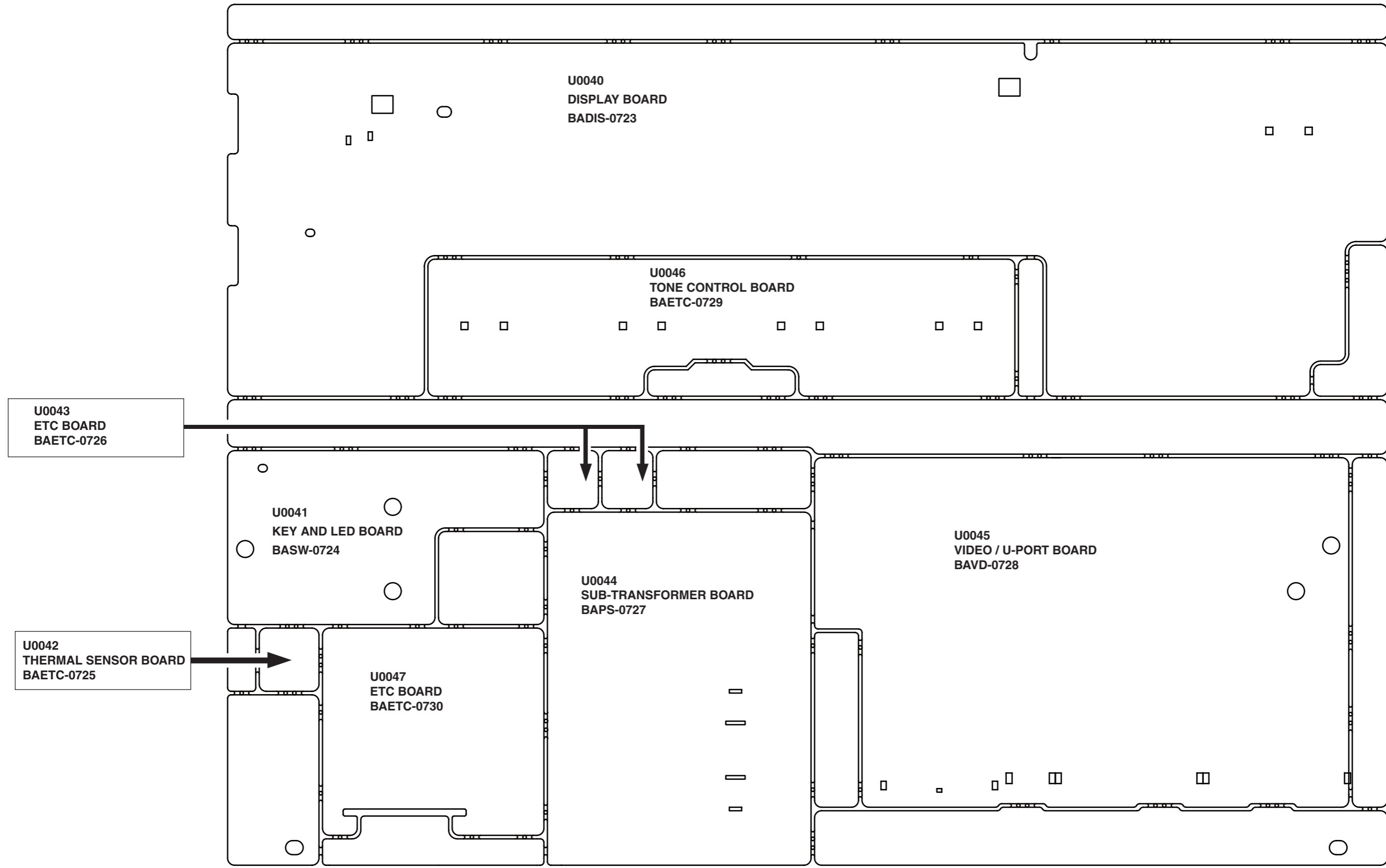


B side view from A side

— B side pattern
— A side pattern

PRINTED CIRCUIT BOARD VIEW-10

U004 DISPLAY BOARD BADIS-0723



A side view

A B C D E F G H

PRINTED CIRCUIT BOARD VIEW-11

U004 DISPLAY BOARD BADIS-0723

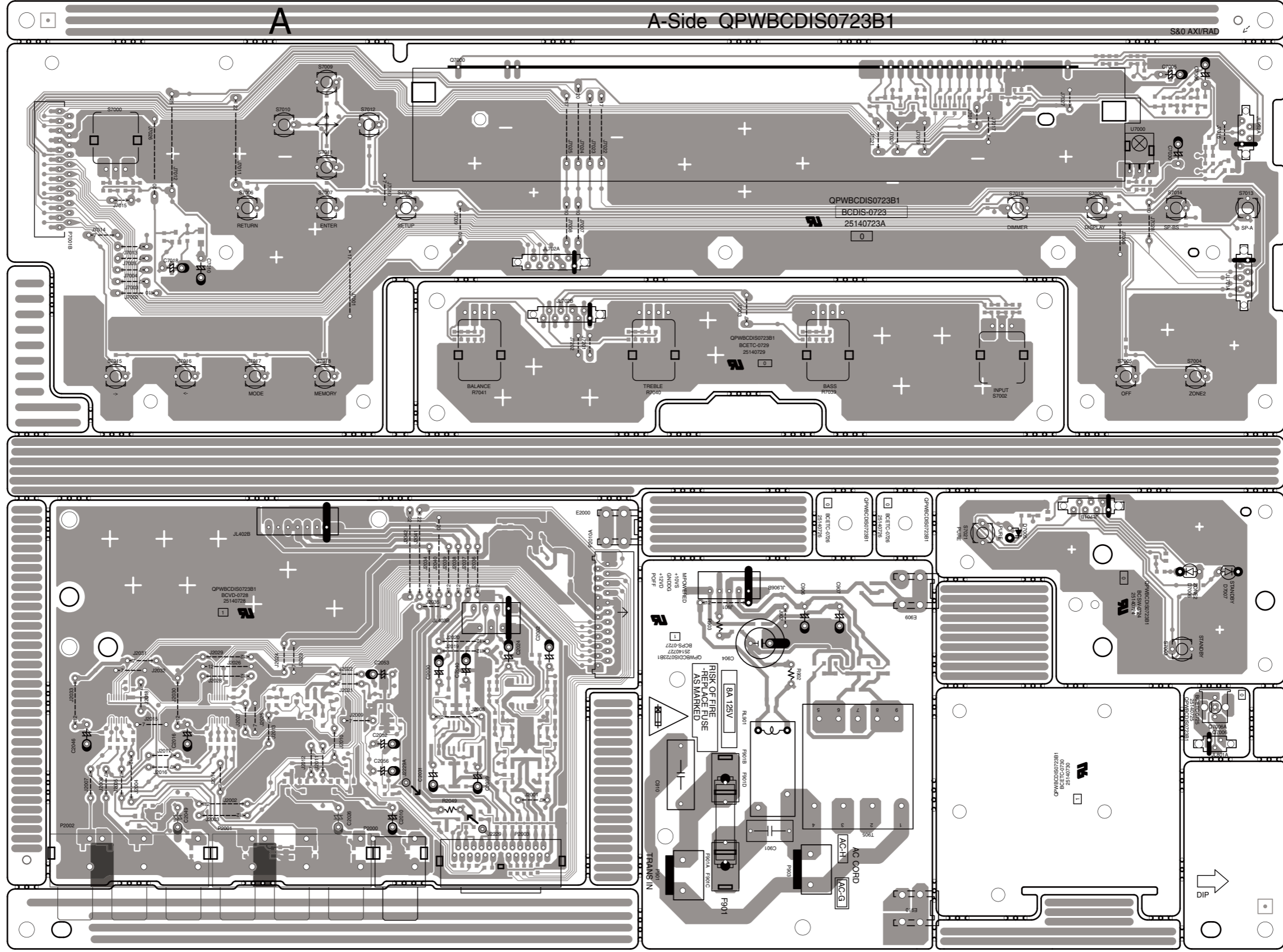
1

2

3

4

5



A side view from B side

A B C D E F G H

PRINTED CIRCUIT BOARD VIEW-12

U004 DISPLAY BOARD BADIS-0723

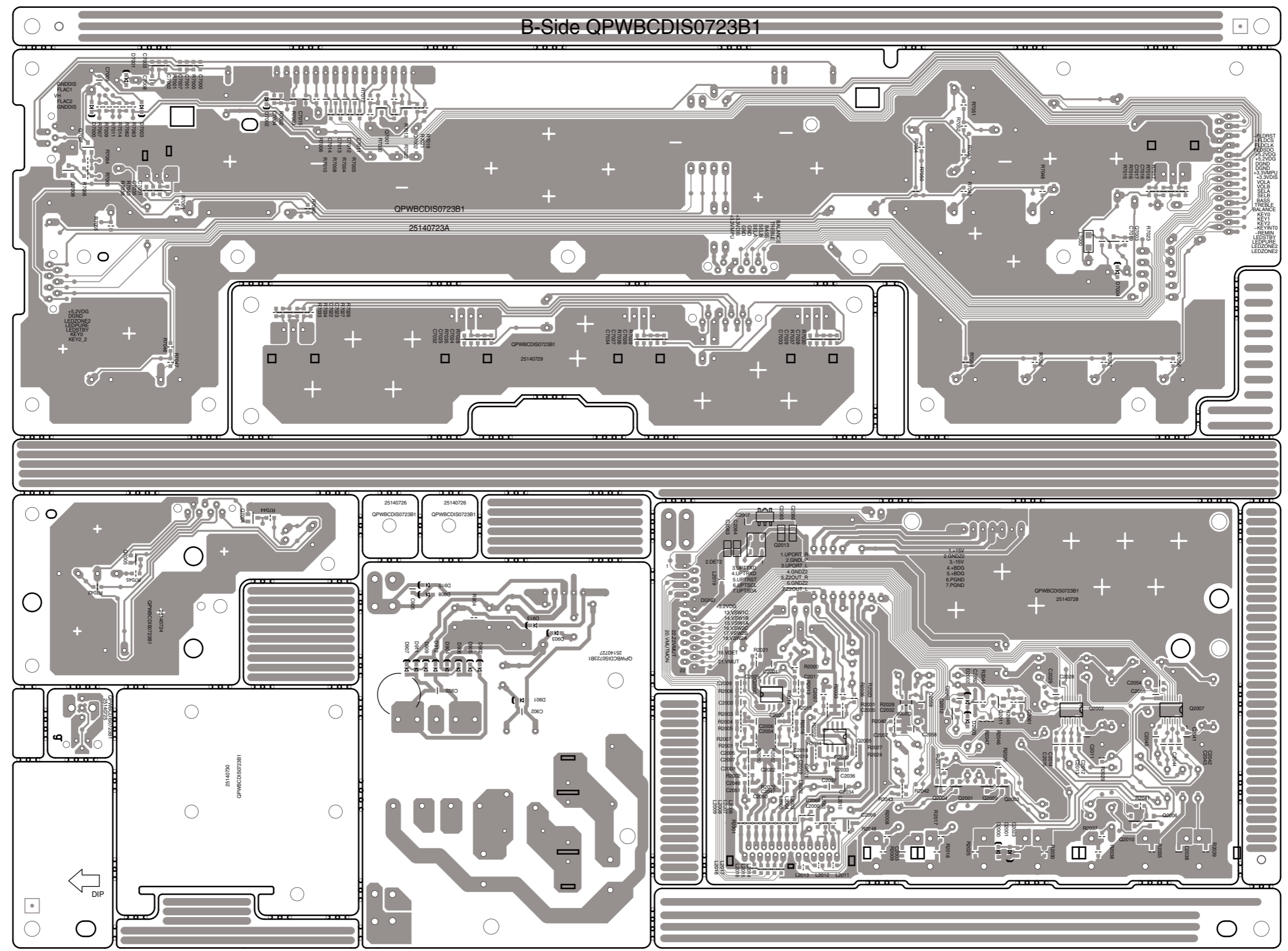
1

2

3

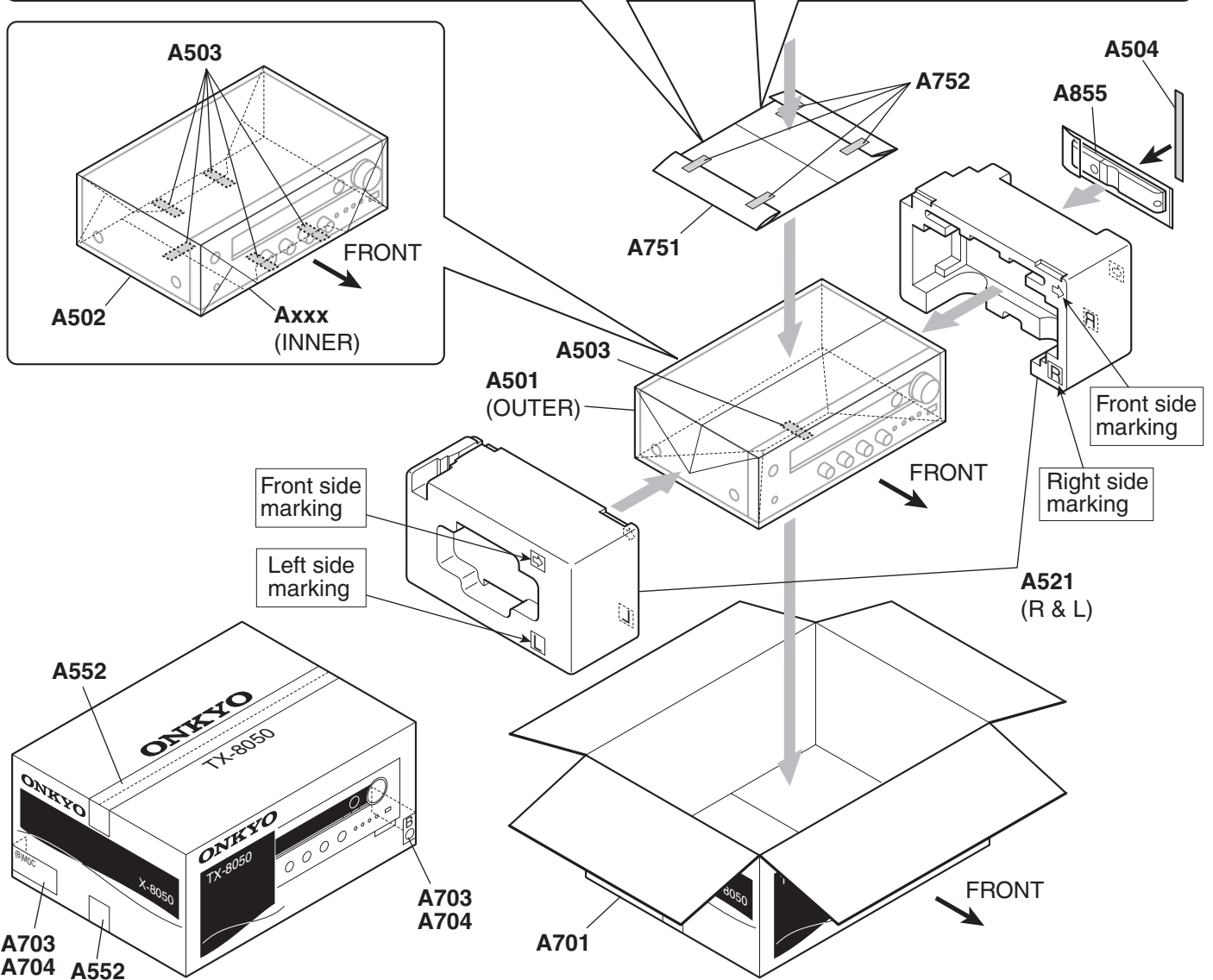
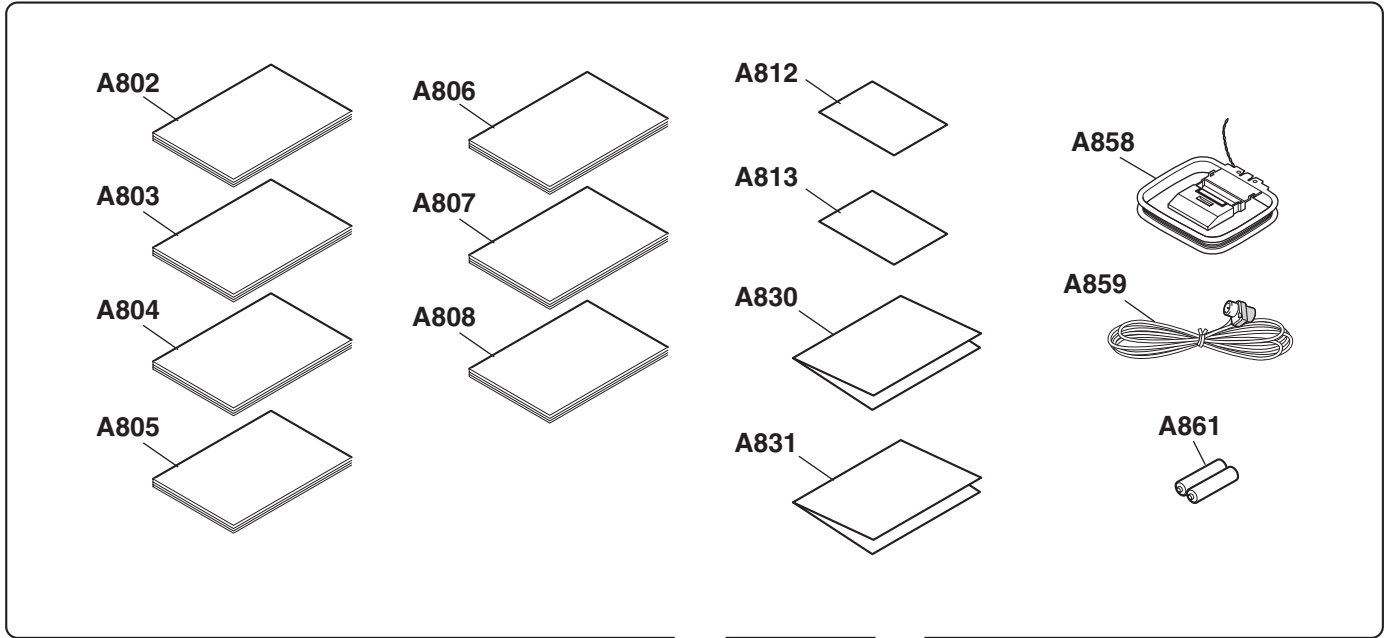
4

5



B side view from A side

PACKING PROCEDURE



TX-8050

<Note>

Parts marked by "NSP" are generally unavailable because they are not in our Master Spare Parts List.

<Notes>

(B) : Black model
(S) : Silver model

<MDC> : 120V,Canadian model

<MPP> : 230V,CE(European) country model

TX-8050

EXPLODED VIEW PARTS LIST

REF. NO.	PART NAME	DESCRIPTION	Q'TY	PART NO. (SN)	REMARKS
[SEMI CONDUCTOR]					
D921	DIODE	LN15XB60	1	22380347	
Q5019	TR	2SC5198-O	1	2203063	
Q5019 or	TR	2SC5198-R	(1)	2203062	
Q5020	TR	2SC5198-O	1	2203063	
Q5020 or	TR	2SC5198-R	(1)	2203062	
Q5021	TR	2SA1941-O	1	2203053	
Q5021 or	TR	2SA1941-R	(1)	2203052	
Q5022	TR	2SA1941-O	1	2203053	
Q5022 or	TR	2SA1941-R	(1)	2203052	
[CHASSIS SCREW]					
A011	CHASSIS	TX-SR507	1	27100533D	NSP
A012	LEG	(B)	4	27175464	
A013	CUSHION	(ZUL)	4	28141877	NSP
A014	SCREW	3TTB+8B(3BC)	4	838430088GR	NSP
A015	HEAT SINK	251	1	27160630B	NSP
A016	RETAINER	(HL)	1	27142138A	NSP
A017	RETAINER	(HR)	1	27142139B	NSP
A018	SCREW	3TTB+8B(3BC)	4	838430088GR	NSP
A020	SCREW	3TTB+8B(3BC)	3	838430088GR	NSP
A021	SCREW	3TTB+8B(3BC)	2	838430088GR	NSP
A022	SCREW	3TTB+8B(3CM)SR	1	801637	NSP
A023	SCREW	3TTB+8B(3BC)	1	838430088GR	NSP
A025	SCREW	4TTC+8C(3BC)SR	4	801658	NSP
A027	SCREW	3TTB+8B(3BC)	2	838430088GR	NSP
A028	SCREW	3TTB+6B(3BC)	2	838430068GR	NSP
A029	CLIP	CS-1U	1	27255004	NSP
A031	CUSHION	(CR)	1	28141876A	NSP
A032	CUSHION	(HIMELON)	1	28141880	NSP
A033	TAPE	TAPE(CLOTH-8U)	1	29110082	NSP
A041	REAR PANEL	(8050)	1	27124257A	N <B MPP>
A041	REAR PANEL	(8050)	1	27124258B	N <B MDC>
A042	TAPE	TAPE(CLOTH-8U)	1	29110082	NSP
A043	SCREW	3TTB+8B(3BC)	31	838430088GR	NSP
A044	SCREW	3P+6FN(3BC)	2	82143006GR	NSP
A045	TRM	Eターミナル	1	25060151	
A051	HOLDER	KGLS-8RT	3	27190503A	NSP
A052	HOLDER	KGLS-10RT	2	27190428A	NSP
A053	HOLDER	KGPS-14RF	2	27190802	NSP
A054	HOLDER	KGPS-16RF	2	27190991	NSP

A055	SCREW	3TTB+8B(3BC)	1	838430088GR	NSP
A056	HOLDER	KGLS-22S	2	27190369	NSP
A057	SCREW	3TTB+8B(3BC)	1	838430088GR	NSP
A059	SCREW	3TTB+8B(3BC)	1	838430088GR	NSP
A060	HOLDER	HOLDER KGLS-18S	1	27190470	NSP
A072	WIRE TIE	BSK-1	8	260208	NSP
A101	LABEL	SHEET(S)	1	29364983	NSP
A101A	LABEL	(E-CON)	1	29364978	NSP
D921A	SCREW	3SMS8W.SW+14B(CU)	1	801634	NSP
Q5019A	ISO SHEET	AC238	1	223024	
Q5019B	SCREW	3SMS8W.SW+14B(CU)	1	801634	NSP
Q5020A	ISO SHEET	AC238	1	223024	
Q5020B	SCREW	3SMS8W.SW+14B(CU)	1	801634	NSP
Q5021A	ISO SHEET	AC238	1	223024	
Q5021B	SCREW	3SMS8W.SW+14B(CU)	1	801634	NSP
Q5022A	ISO SHEET	AC238	1	223024	
Q5022B	SCREW	3SMS8W.SW+14B(CU)	1	801634	NSP
[CABINET]					
A201	F BRACKET	(B)	1	27111591A	
A203	RETAINER	(KNOB)	1	27142225	NSP
A204	KNOB	(CUR)	1	28326907B	
A205	CLEAR PLT	TX8050(B)	1	28192351	
A207	IB CUSHION	W15*3t TAPE	1	28141585	NSP
A208	SNAP PLATE	SNAP PLATE	1	27301877	
A221	SCREW	3TTB+8B(3BC)	2	838430088GR	NSP
A222	SCREW	3TTB+8B(3BC)	2	838430088GR	NSP
A223	SCREW	3TTB+8B(3BC)	13	838430088GR	NSP
A224	SCREW	3TTB+8B(3BC)	4	838430088GR	NSP
A225	SCREW	3P+6FN(3BC)	1	82143006GR	NSP
A231	SCREW	3TTB+8B(3BC)	5	838430088GR	NSP
A232	HOLDER	KGLS-4S	3	27190009	NSP
A233	TAPE	TAPE(CLOTH-8U)	1	29110082	NSP
A251	F PANEL	(B)(8050)	1	27213449B	N <B MPP>
A251	F PANEL	(B)(8050)	1	27213450B	N <B MDC>
A252	GUIDE	(DIS)(B)	1	27268270	
A253	GUIDE	(STBY)(B)	1	27268268A	
A254	GUIDE	(MEM)(B)	2	27268272	
A256	KNOB	(DIS)	1	28326948	
A257	KNOB	(STBY)(B)	1	28326947	
A258	KNOB	(ZONE)(B)2pcs	3	28326945	
A260	KNOB	(PURE)AS(B)	1	28326956	
A264	BADGE	---	1	28135317	
A271	KNOB	(VOL)AS(B)	1	28326914	
A272	KNOB	(TONE)(B)(8050)	3	28326941	N
A273	KNOB	(INPUT)(B)(8050)	1	28326943	N
A291	SCREW	3TTB+8B(3BC)	3	838430088GR	NSP
A292	TAPE	TAPE(CLOTH-16U)	1	29110083	NSP
A293	CUSHION	---	1	28141606	NSP
A294	CUSHION	(ECR)	1	28141879	N
A295	PLATE	(FFC)	1	27262890	NSP
A296	CUSHION	---	3	28141799	NSP
A297	TAPE	TAPE(CLOTH-16U)	1	29110083	NSP
A298	CUSHION	---	3	28141606	NSP

A301	COVER	(B) (Bent)	1	28210031	
A301	COVER	(B) (Not Bent)	1	28210031Z	<B MDC>
A302	SCREW	3TTB+8B(3BC)	7	838430088GR	NSP
A303	LABEL	(COVER)	1	29390767	
[TRANS COIL]					
T901	P TRANS	NPT-1604D	1	2302012	! <B MDC>
T901	P TRANS	NPT-1604P	1	2302013	! <B MPP>
[SW TRM]					
E501	CLAMP	HL-28-0	1	27301396	NSP
E502	CLAMP	HL-28-0	1	27301396	NSP
F901	FUSE	8A-T/UL-ST2	1	252261GR	! <B MDC>
F901	FUSE	3.15A-SE-TL250V	1	252276GR	! <B MPP>
F901 or	FUSE	3.15A-SE-EAK FUSE	(1)	252076GR	! <B MPP>
F901 or	FUSE	8A-UL/T-233	(1)	252329GR	! <B MDC>
F901E	FUSE LABEL	T3.15AL250V	1	29362779	<B MPP>
F951	FUSE	10A-T/UL-ST2	1	252333GR	! <B MDC, MPP>
F951 or	FUSE	10A-UL/T-233	(1)	252330GR	! <B MDC, MPP>
F952	FUSE	10A-T/UL-ST2	1	252333GR	! <B MDC, MPP>
F952 or	FUSE	10A-UL/T-233	(1)	252330GR	! <B MDC, MPP>
P3101	SOCKET AS	NSAS-10P1924	1	2009991224UL	
P4401	FFC	NCFC7-091012	1	2047091012	
P4808	FFC	NCFC7-071512	1	2047071512	
P5301A	P RIVET	JB-407A-C	4	880052	<B MPP>
P5302A	P RIVET	JB-407A-C	4	880052	<B MPP>
P7001	FFC	NCFC7-252522	1	2047252522	
P901	AC CORD	AS-UC-2	1	253368AYUN	! <B MDC>
P901	AC CORD	AS-CEE-2	1	253374YUN	! <B MPP>
P901 or	AC CORD	AS-CEE-2	(1)	253306VOL	! <B MPP>
P901 or	AC CORD	AS-UC-2	(1)	253368BLTK	! <B MDC>
P901A	BUSHING	S-RELIEF #2271	1	27300750	<B MDC, MPP>
[TUNER UNIT]					
U001	DSP Board AS (U0010+U0010, 2 board per unit)	BADSP-0701-1A *	1	1B259501-1A	N
U0010	DSP Board AS (1 board)	BADSP-0701-1A	1	1B2595701-1A	N
U002	Amplifier Board AS (U0020+U0021+U0023+U0024)	BAAF-0704-1C *	1	1B259504-1C	N <B MDC>
U002	Amplifier Board AS (U0020+U0021+U0023+U0024)	BAAF-0704-1D *	1	1B259504-1D	N <B MPP / S MPP>
U0020	Amplifier Board AS	BAAF-0704-1C	1	1B2595704-1C	N <B MDC>
U0020	Amplifier Board AS	BAAF-0704-1D	1	1B2595704-1D	N <B MPP / S MPP>
U0021	FL drive Board AS	BAPS-0705-1C	1	1B2595705-1C	N <B MDC>
U0021	FL drive Board AS	BAPS-0705-1D	1	1B2595705-1D	N <B MPP / S MPP>
U0022	Trans terminal Board AS	BAPS-0706-1C	1	1B2595706-1C	N <B MDC>
U0022	Trans terminal Board AS	BAPS-0706-1D	1	1B2595706-1D	N <B MPP / S MPP>
U0023	HP Jack Board AS	BAETC-0707-1C	1	1B2595707-1C	N <B MDC>
U0023	HP Jack Board AS	BAETC-0707-1D	1	1B2595707-1D	N <B MPP / S MPP>
U0024	ETC Board	BAETC-0708-1C	1	1B2595708-1C	N <B MDC>
U0024	ETC Board	BAETC-0708-1D	1	1B2595708-1D	N <B MPP / S MPP>
U003	MPU/DAC/DIR Board AS (U0030+U0031+U0032)	BADG-0715-1A *	1	1B259515-1A	N <B MDC>

U003	MPU/DAC/DIR Board AS (U0030+U0031+U0032)	BADG-0715-1B *	1	1B259515-1B	N	<B MPP / S MPP>
U0030	MPU/DAC/DIR Board AS	BADG-0715-1A	1	1B2595715-1A	N	<B MDC>
U0030	MPU/DAC/DIR Board AS	BADG-0715-1B	1	1B2595715-1B	N	<B MPP / S MPP>
U0031	Pre-out/Zon-2/RC-232C Board AS	BAAR-0716-1A	1	1B2595716-1A	N	<B MDC>
U0031	Pre-out/Zon-2/RC-232C Board AS	BAAR-0716-1B	1	1B2595716-1B	N	<B MPP / S MPP>
U0032	USB terminal Board AS	BAETC-0718-1A	1	1B2595718-1A	N	<B MDC>
U0032	USB terminal Board AS	BAETC-0718-1B	1	1B2595718-1B	N	<B MPP / S MPP>
Display Board AS						
U004	(U0040+U0041+U0042+U0043+U0044+U0045+U0046+0047) Display Board AS	BADIS-0723-1C *	1	1B259523-1C	N	<B MDC>
U004	(U0040+U0041+U0042+U0043+U0044+U0045+U0046+0047) Display Board AS	BADIS-0723-1D *	1	1B259523-1D	N	<B MPP / S MPP>
U0040	Display Board AS	BADIS-0723-1C	1	1B2595723-1C	N	<B MDC>
U0040	Display Board AS	BADIS-0723-1D	1	1B2595723-1D	N	<B MPP / S MPP>
U0041	Key and LED Board AS (Stadby/Zon-2/Pure-Audio)	BASW-0724-1C	1	1B2595724-1C	N	<B MDC>
U0041	Key and LED Board AS (Stadby/Zon-2/Pure-Audio)	BASW-0724-1D	1	1B2595724-1D	N	<B MPP / S MPP>
U0042	thermal sensor Board AS	BAETC-0725-1C	1	1B2595725-1C	N	<B MDC>
U0042	thermal sensor Board AS	BAETC-0725-1D	1	1B2595725-1D	N	<B MPP / S MPP>
U0043	ETC Board	BAETC-0726-1C	1	1B2595726-1C	N	<B MDC>
U0043	ETC Board	BAETC-0726-1D	1	1B2595726-1D	N	<B MPP / S MPP>
U0044	Sub-trans Board AS	BAPS-0727-1C	1	1B2595727-1C	N	<B MDC>
U0044	Sub-trans Board AS	BAPS-0727-1D	1	1B2595727-1D	N	<B MPP / S MPP>
U0045	Video / U-port Board AS	BAVD-0728-1C	1	1B2595728-1C	N	<B MDC>
U0045	Video / U-port Board AS	BAVD-0728-1D	1	1B2595728-1D	N	<B MPP / S MPP>
U0046	Tone control Board	BAETC-0729-1C	1	1B2595729-1C	N	<B MDC>
U0046	Tone control Board	BAETC-0729-1D	1	1B2595729-1D	N	<B MPP / S MPP>
U0047	ETC Board	BAETC-0730-1C	1	1B2595730-1C	N	<B MDC>
U0047	ETC Board	BAETC-0730-1D	1	1B2595730-1D	N	<B MPP / S MPP>
U010	TUNER UNIT	KST-MW004MS1-S89S	1	240171		<B MDC>
U010	TUNER UNIT	KST-MW104MS1-S89	1	240172		<B MPP>

TX-8050

PACKING PROCEDURES PARTS LIST

[PACKING]

A501	SHEET	1300*650	1	29095966		
A503	TAPE	(SEROHAN)NITTO NO.29	1	29110149		
A504	TAPE	(SEROHAN)NITTO NO.29	1	29110149		
A505	POLY BAG	w250xd350	1	29100250A		<B MPP>
A521	PAD	(AS)	1	29092573		
A552	PP TAPE	W50 SBT-70	1	29110200		
A701	CARTON	8050MPP	1	29055193A	N	<B MPP>
A701	CARTON	8050MDC	1	29055194A	N	<B MDC>
A703	EAN LABEL	8050BMPP	1	29391426A	N	<B MPP>
A704	UPC LABEL	8050BMDC	1	29391429	N	<B MDC>

[ACCESSARY]

A751	POLY BAG	w250xd350	1	29100250A		
A752	TAPE	(SEROHAN)NITTO NO.29	1	29110149		
A802	INS MANUAL	En(TX-8050)	1	29400685	N	<B MDC, MPP>

A803	INS MANUAL	U2FrEs(TX-8050)	1	29400686	N	<B MDC, MPP>
A804	INS MANUAL	U2ItDe(TX-8030)	1	29400687	N	<B MPP>
A805	INS MANUAL	U2NISv(TX-8050)	1	29400688	N	<B MPP>
A806	INS MANUAL	EnFrEs(Internet_radio)	1	29400842	N	<B MDC>
A807	INS MANUAL	EnDe(Last_fm_Napster)	1	29400843	N	<B MPP>
A808	INS MANUAL	JaEn(SW_License_509-5009)	1	29400575		<B MDC, MPP>
A809	LABEL	HOOKUP-ONKYO	1	29363194		<B MDC>
A812	HANDBILL	(UP-A1)US	1	29380155A		<B MDC>
A813	HANDBILL	(UP-A1)EU	1	29380156A		<B MPP>
A830	INST SHEET	WEEE	1	29355793A		<B MPP>
A831	WRNTY CARD	(ONKYO)	1	29365135		<B MDC>
A855	REMO CON	RC-816S	1	24140816A	N	
A858	ANT COIL	NMA-3057	1	232140		
A859	FM ANT AS	Type W	1	292191		
A861	BATTERY	R03/AAA(UM-4)	2	3010124		
A907	INST SHEET	TX-8030ERRATA	1	29355838	N	

TX-8050

PC BOARD PARTS LIST

* The part which it cannot supply is included. * The part which it cannot change is included.

U001	DSP Board AS	BADSP-0701-1A *	1	1B259501-1A	
U0010	(U0010+U0010, 2 board per unit)	BADSP-0701-1A	1	1B2595701-1A	
U0010	DSP Board AS (1 board)	BADSP-0701-1A	1	1B2595701-1A	

CIRCUIT	PART NAME	DESCRIPTION	Q'TY	PART NO. (SN)	REMARKS
[SEMI CONDUCTOR]					
D3101	C-DIODE	DA2J10100	1	223303R2	NSP
D3101 or	C-DIODE	1SS352	(1)	223234R2	NSP
D3101 or	C-DIODE	1SS355	(1)	223269R2	NSP
D3101 or	C-DIODE	MA2J111	(1)	223279R2	NSP
D3101 or	C-DIODE	KDS4148U	(1)	223283R2	NSP
D3105	ZENER D	DZ2J051M0L	1	224760510R2	
D3105 or	ZENER D	UDZS5.1B	(1)	224550510R2	
D3402	C-DIODE	1SR154-400	1	22380284R2	NSP
D3901	DIODE	RB050M-30	1	22380367R2	
D3902	DIODE	RB050M-30	1	22380367R2	
D3903	DIODE	RB050M-30	1	22380367R2	
Q3001	IC	D830K013BZKB400Z	1	22242694R3	
Q3002	IC	NAND256W3A2BN6E	1	222W0092R304466	
Q3003	IC	IS42S16160C-7TL	1	22242592R3	
Q3003 or	IC	K4S561632J-UC75	(1)	22242524AR3	
Q3004	IC	IS42S16160C-7TL	1	22242592R3	
Q3004 or	IC	K4S561632J-UC75	(1)	22242524AR3	
Q3005	IC	TC7W32FU	1	22241162R2	
Q3006	IC	S-80127CNMC-JKM-T2	1	22241642R2	
Q3101	IC	TPD2E001DRLR	1	22242589R2	
Q3102	IC	BD82065FVJ	1	22242718R2	
Q3103	IC	BU18TD3WG-TR	1	22242716R2	
Q3105	IC	MFI341S2164	1	22242594R2	

Q3106	IC	BU33TD3WG-TR	1	22242715R2
Q3108	IC	KSZ8051RNL	1	22242723R2
Q3109	IC	BD7820	1	22242300R2
Q3111	IC	BU33TD3WG-TR	1	22242715R2
Q3112	TR	2SC2712-GR	1	2213145R2
Q3112 or	TR	KTC3875-GR	(1)	2216175R2
Q3113	TR	KRA102S	1	2216220R2
Q3113 or	TR	RN2402	(1)	2214530R2
Q3901	IC	MP2363DN-LF-Z	1	22242627R2
Q3902	IC	MP2363DN-LF-Z	1	22242627R2
Q3903	IC	MP2363DN-LF-Z	1	22242627R2
[TRANS COIL]				
L3001	CORE	BLM18PG121SN1D	1	2350006R1
L3002	CORE	BLM18PG121SN1D	1	2350006R1
L3003	CORE	BLM18PG121SN1D	1	2350006R1
L3004	CORE	BLM18PG121SN1D	1	2350006R1
L3005	CORE	BLM18PG121SN1D	1	2350006R1
L3101	C-R NET	MNR12E0APJ000	1	43464900002R2
L3102	CORE	BLM18PG181SN1D	1	2350005R1
L3103	CORE	BLM18PG121SN1D	1	2350006R1
L3104	CORE	BLM18PG121SN1D	1	2350006R1
L3105	CORE	BLM18PG121SN1D	1	2350006R1
L3106	CORE	BLM18PG121SN1D	1	2350006R1
L3107	CORE	BLM18PG121SN1D	1	2350006R1
L3108	CORE	BLM18PG121SN1D	1	2350006R1
L3109	CORE	BLM18PG121SN1D	1	2350006R1
L3110	CORE	BLM18PG121SN1D	1	2350006R1
L3114	CORE	BLM18PG181SN1D	1	2350005R1
L3145	CORE	DLP2ADN900HL4L	1	230990R2
L3203	CORE	MMZ1608Y601BT	1	2350004R1
L3209	CORE	MMZ1608Y601BT	1	2350004R1
L3901	CHOKE COIL	BLM21PG221SN1	1	230949R2
L3902	CHOKE COIL	BLM21PG221SN1	1	230949R2
L3903	CHOKE COIL	BLM21PG221SN1	1	230949R2
L3904	CHOKE COIL	BLM21PG221SN1	1	230949R2
L3905	CHOKE COIL	CDRH8D43_100	1	231371P100R2
L3905 or	CHOKE COIL	0182-7E08Q-100M-RA	(1)	231396M100R2
L3906	CHOKE COIL	BLM21PG221SN1	1	230949R2
L3907	CHOKE COIL	BLM21PG221SN1	1	230949R2
L3908	CHOKE COIL	BLM21PG221SN1	1	230949R2
L3909	CHOKE COIL	BLM21PG221SN1	1	230949R2
L3910	CHOKE COIL	CDRH8D43_100	1	231371P100R2
L3910 or	CHOKE COIL	0182-7E08Q-100M-RA	(1)	231396M100R2
L3911	CHOKE COIL	BLM21PG221SN1	1	230949R2
L3912	CHOKE COIL	BLM21PG221SN1	1	230949R2
L3913	CHOKE COIL	BLM21PG221SN1	1	230949R2
L3914	CHOKE COIL	BLM21PG221SN1	1	230949R2
L3915	CHOKE COIL	CDRH8D43_100	1	231371P100R2
L3915 or	CHOKE COIL	0182-7E08Q-100M-RA	(1)	231396M100R2

L3916	CHOKER COIL	BLM21PG221SN1	1	230949R2	
X3001	CRYSTAL	HC-49USSMD20.000MHz	1	3010504R2	
[CAPACITOR]					
C3001	C-CERA C	CK725B1A-105K0	1	332001055R1	NSP
C3002	C-CERA C	CK725B1A-105K0	1	332001055R1	NSP
C3003	C-CERA C	CK732B16V-106K	1	332071065R2	NSP
C3004	C-CERA C	CK732B16V-106K	1	332071065R2	NSP
C3005	C-CERA C	CK725B1A-105K0	1	332001055R1	NSP
C3006	C-CERA C	CK725B1H-102K0	1	332031025R1	NSP
C3007	C-CERA C	CK725B1A-105K0	1	332001055R1	NSP
C3008	C-CERA C	CK725B1H-102K0	1	332031025R1	NSP
C3009	C-CERA C	CK725B1A-105K0	1	332001055R1	NSP
C3010	C-CERA C	CK725B1A-105K0	1	332001055R1	NSP
C3011	C-CERA C	CK725B1A-105K0	1	332001055R1	NSP
C3012	C-CERA C	CK725B1H-102K0	1	332031025R1	NSP
C3013	C-CERA C	CK725B1A-105K0	1	332001055R1	NSP
C3014	C-CERA C	CK725B1H-102K0	1	332031025R1	NSP
C3015	C-CERA C	CK725B1H-102K0	1	332031025R1	NSP
C3016	C-CERA C	CK725B1A-105K0	1	332001055R1	NSP
C3017	C-CERA C	CK725B1A-105K0	1	332001055R1	NSP
C3018	C-CERA C	CK725B1A-105K0	1	332001055R1	NSP
C3019	C-CERA C	CK725B1H-102K0	1	332031025R1	NSP
C3020	C-CERA C	CK725B1A-105K0	1	332001055R1	NSP
C3021	C-CERA C	CK725B1A-105K0	1	332001055R1	NSP
C3022	C-CERA C	CK725B1A-105K0	1	332001055R1	NSP
C3023	C-CERA C	CK732B16V-106K	1	332071065R2	NSP
C3024	C-CERA C	CK725B1H-102K0	1	332031025R1	NSP
C3025	C-CERA C	CK725B1A-105K0	1	332001055R1	NSP
C3026	C-CERA C	CK725B1C-104K0	1	332011045R1	NSP
C3027	C-CERA C	CK725B1H-102K0	1	332031025R1	NSP
C3028	C-CERA C	CK725B1A-105K0	1	332001055R1	NSP
C3029	C-CERA C	CK725B1H-102K0	1	332031025R1	NSP
C3030	C-CERA C	CK725B1A-105K0	1	332001055R1	NSP
C3031	C-CERA C	CK725B1A-105K0	1	332001055R1	NSP
C3032	C-CERA C	CK725B1H-102K0	1	332031025R1	NSP
C3033	C-CERA C	CK725B1A-105K0	1	332001055R1	NSP
C3034	C-CERA C	CC725CH1H-390J0	1	342033904R1	NSP
C3035	C-CERA C	CK725B1H-102K0	1	332031025R1	NSP
C3036	C-CERA C	CC725CH1H-390J0	1	342033904R1	NSP
C3037	C-CERA C	CK725B1A-105K0	1	332001055R1	NSP
C3038	C-CERA C	CK725B1A-105K0	1	332001055R1	NSP
C3039	C-CERA C	CK725B1H-103K0	1	332031035R1	NSP
C3040	C-CERA C	CK725B1A-105K0	1	332001055R1	NSP
C3041	C-CERA C	CK732B16V-106K	1	332071065R2	NSP
C3042	C-CERA C	CK725B1A-105K0	1	332001055R1	NSP
C3043	C-CERA C	CK725B1A-105K0	1	332001055R1	NSP
C3101	CHIP ELECT C	CEWX16V-100M	1	398141017R2	
C3102	CHIP ELECT C	CEWX10V-220M	1	398132217R2	
C3103	C-CERA C	CK725B1H-102K0	1	332031025R1	NSP

C3104	C-CERA C	CK725B1A-105K0	1	332001055R1	NSP
C3105	C-CERA C	CK725B1A-105K0	1	332001055R1	NSP
C3106	C-CERA C	CK732B16V-106K	1	332071065R2	NSP
C3107	C-CERA C	CK725B1A-105K0	1	332001055R1	NSP
C3108	C-CERA C	CK725B1A-105K0	1	332001055R1	NSP
C3109	C-CERA C	CK732B16V-106K	1	332071065R2	NSP
C3110	C-CERA C	CK725B1A-224K0	1	332002245R1	NSP
C3112	C-CERA C	CK732B16V-106K	1	332071065R2	NSP
C3113	C-CERA C	CK725B1A-105K0	1	332001055R1	NSP
C3114	C-CERA C	CK725B1A-105K0	1	332001055R1	NSP
C3115	C-CERA C	CK732B16V-106K	1	332071065R2	NSP
C3116	C-CERA C	CK732B16V-106K	1	332071065R2	NSP
C3117	C-CERA C	CK725B1H-102K0	1	332031025R1	NSP
C3118	C-CERA C	CK725B1A-105K0	1	332001055R1	NSP
C3119	C-CERA C	CK725B1A-105K0	1	332001055R1	NSP
C3120	C-CERA C	CK732B16V-106K	1	332071065R2	NSP
C3121	C-CERA C	CK725B1A-105K0	1	332001055R1	NSP
C3122	C-CERA C	CK725B1A-105K0	1	332001055R1	NSP
C3126	C-CERA C	CK732B16V-106K	1	332071065R2	NSP
C3127	C-CERA C	CK725B1A-105K0	1	332001055R1	NSP
C3128	C-CERA C	CK725B1A-105K0	1	332001055R1	NSP
C3129	C-CERA C	CK725B1A-105K0	1	332001055R1	NSP
C3130	C-CERA C	CK732B16V-106K	1	332071065R2	NSP
C3131	C-CERA C	CK725B1A-105K0	1	332001055R1	NSP
C3132	C-CERA C	CC725CH1H-101J0	1	342031014R1	NSP
C3133	C-CERA C	CK725B1A-105K0	1	332001055R1	NSP
C3136	C-CERA C	CK725B1A-105K0	1	332001055R1	NSP
C3137	C-CERA C	CK725B1A-105K0	1	332001055R1	NSP
C3138	C-CERA C	CK725B1A-105K0	1	332001055R1	NSP
C3139	C-CERA C	CK725B1A-105K0	1	332001055R1	NSP
C3140	C-CERA C	CK725B1A-105K0	1	332001055R1	NSP
C3141	C-CERA C	CK725B1C-104K0	1	332011045R1	NSP
C3143	C-CERA C	CK725B1A-105K0	1	332001055R1	NSP
C3144	C-CERA C	CK725B1A-105K0	1	332001055R1	NSP
C3145	C-CERA C	CK732B16V-106K	1	332071065R2	NSP
C3146	C-CERA C	CK725B1A-105K0	1	332001055R1	NSP
C3147	C-CERA C	CK732B16V-106K	1	332071065R2	NSP
C3148	C-CERA C	CK725B1C-104K0	1	332011045R1	NSP
C3149	C-CERA C	CK725B1A-105K0	1	332001055R1	NSP
C3150	CHIP ELECT C	CEWX4V-22M	1	3981G2207R2	
C3152	C-CERA C	CK732B16V-106K	1	332071065R2	NSP
C3153	C-CERA C	CK725B1A-105K0	1	332001055R1	NSP
C3154	C-CERA C	CK732B16V-106K	1	332071065R2	NSP
C3155	C-CERA C	CK725B1A-105K0	1	332001055R1	NSP
C3156	C-CERA C	CK725B1H-102K0	1	332031025R1	NSP
C3157	C-CERA C	CK725B1A-105K0	1	332001055R1	NSP
C3158	C-CERA C	CK725B1A-105K0	1	332001055R1	NSP
C3159	C-CERA C	CK725B1A-105K0	1	332001055R1	NSP
C3167	C-CERA C	CK725B1A-105K0	1	332001055R1	NSP

C3168	C-CERA C	CK732B16V-106K	1	332071065R2	NSP
C3170	C-CERA C	CK725B1H-102K0	1	332031025R1	NSP
C3171	C-CERA C	CK725B1C-104K0	1	332011045R1	NSP
C3172	C-CERA C	CK725B1H-102K0	1	332031025R1	NSP
C3173	C-CERA C	CK725B1H-102K0	1	332031025R1	NSP
C3174	C-CERA C	CK725B1C-104K0	1	332011045R1	NSP
C3175	C-CERA C	CK725B1C-104K0	1	332011045R1	NSP
C3901	CHIP ELECT C	CEWX25V-100M	1	398151017R2	
C3902	C-CERA C	CK725B1E-106K	1	332221065R2	NSP
C3903	C-CERA C	CK725B1H-103K0	1	332031035R1	NSP
C3905	C-CERA C	CK725B1C-104K0	1	332011045R1	NSP
C3906	C-CERA C	CK725B1C-104K0	1	332011045R1	NSP
C3908	CHIP ELECT C	CEWX10V-220M	1	398132217R2	
C3909	C-CERA C	CK725B1A-105K0	1	332001055R1	NSP
C3910	C-CERA C	CK725B1A-105K0	1	332001055R1	NSP
C3911	C-CERA C	CK732B16V-106K	1	332071065R2	NSP
C3912	C-CERA C	CK732B16V-106K	1	332071065R2	NSP
C3913	C-CERA C	CK732B16V-106K	1	332071065R2	NSP
C3914	C-CERA C	CK725B1E-106K	1	332221065R2	NSP
C3915	C-CERA C	CK725B1E-106K	1	332221065R2	NSP
C3916	C-CERA C	CK725B1H-103K0	1	332031035R1	NSP
C3917	C-CERA C	CC725CH1H-151J0	1	342031514R1	NSP
C3918	C-CERA C	CK725B1C-104K0	1	332011045R1	NSP
C3919	C-CERA C	CK725B1C-104K0	1	332011045R1	NSP
C3921	CHIP ELECT C	CEWX10V-220M	1	398132217R2	
C3922	C-CERA C	CK725B1A-105K0	1	332001055R1	NSP
C3923	C-CERA C	CK732B16V-106K	1	332071065R2	NSP
C3924	C-CERA C	CK732B16V-106K	1	332071065R2	NSP
C3925	C-CERA C	CK732B16V-106K	1	332071065R2	NSP
C3926	C-CERA C	CK725B1E-106K	1	332221065R2	NSP
C3927	C-CERA C	CK725B1E-106K	1	332221065R2	NSP
C3928	C-CERA C	CK725B1H-103K0	1	332031035R1	NSP
C3930	C-CERA C	CK725B1C-104K0	1	332011045R1	NSP
C3931	C-CERA C	CK725B1C-104K0	1	332011045R1	NSP
C3933	CHIP ELECT C	CEWX10V-220M	1	398132217R2	
C3934	C-CERA C	CK725B1A-105K0	1	332001055R1	NSP
C3935	C-CERA C	CK732B16V-106K	1	332071065R2	NSP
C3936	C-CERA C	CK732B16V-106K	1	332071065R2	NSP
C3937	C-CERA C	CK732B16V-106K	1	332071065R2	NSP
C3938	C-CERA C	CK725B1E-106K	1	332221065R2	NSP
C3939	C-CERA C	CK725B1E-106K	1	332221065R2	NSP
[RESISTOR]					
R3009	C-CARBON R	RN72K1J-330JE	1	435033304R1	NSP
R3010	C-R NET	RM7LJ330X04	1	43484733004R2	
R3011	C-R NET	RM7LJ330X04	1	43484733004R2	
R3012	C-R NET	RM7LJ470X04	1	43484747004R2	
R3013	C-R NET	RM7LJ330X04	1	43484733004R2	
R3014	C-R NET	RM7LJ330X04	1	43484733004R2	
R3015	C-R NET	RM7LJ330X04	1	43484733004R2	

R3016	C-CARBON R	RN72K1J-470JE	1	435034704R1	NSP
R3017	C-R NET	RM7LJ330X04	1	43484733004R2	
R3018	C-CARBON R	RN72K1J-470JE	1	435034704R1	NSP
R3019	C-R NET	RM7LJ330X04	1	43484733004R2	
R3020	C-R NET	RM7LJ330X04	1	43484733004R2	
R3021	C-CARBON R	RN72K1J-470JE	1	435034704R1	NSP
R3022	C-CARBON R	RN72K1J-470JE	1	435034704R1	NSP
R3023	C-R NET	RM7LJ470X04	1	43484747004R2	
R3024	C-CARBON R	RN72K1J-470JE	1	435034704R1	NSP
R3025	C-CARBON R	RN72K1J-102JE	1	435031024R1	NSP
R3026	C-CARBON R	RN72K1J-470JE	1	435034704R1	NSP
R3028	C-CARBON R	RN72K1J-470JE	1	435034704R1	NSP
R3029	C-CARBON R	RN72K1J-102JE	1	435031024R1	NSP
R3032	C-CARBON R	RN72K1J-103JE	1	435031034R1	NSP
R3033	C-CARBON R	RN72K1J-470JE	1	435034704R1	NSP
R3034	C-CARBON R	RN72K1J-470JE	1	435034704R1	NSP
R3035	C-CARBON R	RN72K1J-470JE	1	435034704R1	NSP
R3036	C-CARBON R	RN72K1J-470JE	1	435034704R1	NSP
R3037	C-CARBON R	RN72K1J-470JE	1	435034704R1	NSP
R3038	C-CARBON R	RN72K1J-470JE	1	435034704R1	NSP
R3039	C-CARBON R	RN72K1J-470JE	1	435034704R1	NSP
R3040	C-CARBON R	RN72K1J-103JE	1	435031034R1	NSP
R3041	C-R NET	RM7LJ330X04	1	43484733004R2	
R3042	C-R NET	RM7LJ330X04	1	43484733004R2	
R3043	C-CARBON R	RN72K1J-000JE	1	435030004R1	NSP
R3044	C-R NET	RM7LJ330X04	1	43484733004R2	
R3045	C-R NET	RM7LJ330X04	1	43484733004R2	
R3047	C-CARBON R	RN72K1J-560JE	1	435035604R1	NSP
R3048	C-CARBON R	RN72K1J-221JE	1	435032214R1	NSP
R3049	C-CARBON R	RN72K1J-560JE	1	435035604R1	NSP
R3050	C-CARBON R	RN72K1J-560JE	1	435035604R1	NSP
R3051	C-CARBON R	RN72K1J-560JE	1	435035604R1	NSP
R3054	C-CARBON R	RN72K1J-103JE	1	435031034R1	NSP
R3056	C-CARBON R	RN72K1J-472JE	1	435034724R1	NSP
R3060	C-CARBON R	RN72K1J-680JE	1	435036804R1	NSP
R3061	C-CARBON R	RN72K1J-470JE	1	435034704R1	NSP
R3062	C-CARBON R	RN72K1J-680JE	1	435036804R1	NSP
R3063	C-CARBON R	RN72K1J-680JE	1	435036804R1	NSP
R3064	C-CARBON R	RN72K1J-680JE	1	435036804R1	NSP
R3065	C-CARBON R	RN72K1J-680JE	1	435036804R1	NSP
R3066	C-CARBON R	RN72K1J-102JE	1	435031024R1	NSP
R3101	C-CARBON R	RN72K1J-103JE	1	435031034R1	NSP
R3106	C-CARBON R	RN72K1J-472JE	1	435034724R1	NSP
R3108	C-CARBON R	RN72K1J-103JE	1	435031034R1	NSP
R3110	C-CARBON R	RN72K1J-103JE	1	435031034R1	NSP
R3111	C-CARBON R	RN72K1J-103JE	1	435031034R1	NSP
R3113	C-CARBON R	RN72K1J-103JE	1	435031034R1	NSP
R3115	C-CARBON R	RN72K1J-472JE	1	435034724R1	NSP
R3117	C-CARBON R	RN72K1J-472JE	1	435034724R1	NSP

R3119	C-CARBON R	RN72K1J-472JE	1	435034724R1	NSP
R3122	C-CARBON R	RN72K1J-102JE	1	435031024R1	NSP
R3123	C-CERA C	CK725F1E-104Z1	1	332161040R1	NSP
R3124	C-CARBON R	RN72K1J-331JE	1	435033314R1	NSP
R3125	C-CARBON R	RN72K1J-470JE	1	435034704R1	NSP
R3126	C-CARBON R	RN72K1J-470JE	1	435034704R1	NSP
R3127	C-CARBON R	RN72K1J-470JE	1	435034704R1	NSP
R3128	C-CARBON R	RN72K1J-472JE	1	435034724R1	NSP
R3129	C-CARBON R	RN72K1J-470JE	1	435034704R1	NSP
R3130	C-CARBON R	RN72K1J-470JE	1	435034704R1	NSP
R3131	C-CARBON R	RN72K1J-470JE	1	435034704R1	NSP
R3132	C-CARBON R	RN72K1J-103JE	1	435031034R1	NSP
R3133	C-CARBON R	RN72K1J-470JE	1	435034704R1	NSP
R3134	C-CARBON R	RN72K1J-103JE	1	435031034R1	NSP
R3135	C-CARBON R	RN72K1J-103JE	1	435031034R1	NSP
R3136	C-CARBON R	RN72K1J-000JE	1	435030004R1	NSP
R3137	C-CARBON R	RN72K1J-000JE	1	435030004R1	NSP
R3139	C-CARBON R	RN72K1J-101JE	1	435031014R1	NSP
R3143	C-CARBON R	RN72K1J-392JE	1	435033924R1	NSP
R3144	C-CARBON R	RN72K1J-101JE	1	435031014R1	NSP
R3145	C-CARBON R	RN72K1J-392JE	1	435033924R1	NSP
R3146	C-CARBON R	RN72K1J-390JE	1	435033904R1	NSP
R3147	C-CARBON R	RN72K1J-000JE	1	435030004R1	NSP
R3148	C-CARBON R	RN72K1J-390JE	1	435033904R1	NSP
R3149	C-CARBON R	RN72K1J-102JE	1	435031024R1	NSP
R3150	C-CARBON R	RN72K1J-680JE	1	435036804R1	NSP
R3151	C-CARBON R	RN72K1J-103JE	1	435031034R1	NSP
R3152	C-CARBON R	RN72K1J-103JE	1	435031034R1	NSP
R3154	C-CARBON R	RN72K1J-390JE	1	435033904R1	NSP
R3155	C-CARBON R	RN72K1J-390JE	1	435033904R1	NSP
R3156	C-CARBON R	RN72K1J-390JE	1	435033904R1	NSP
R3157	C-CARBON R	RN72K1J-000JE	1	435030004R1	NSP
R3160	C-CARBON R	RN72K1J-000JE	1	435030004R1	NSP
R3162	C-CARBON R	RN72K1J-390JE	1	435033904R1	NSP
R3163	C-CARBON R	RN72K1J-220JE	1	435032204R1	NSP
R3164	C-CARBON R	RN72K1J-472JE	1	435034724R1	NSP
R3168	C-CARBON R	RN72K1J-220JE	1	435032204R1	NSP
R3169	C-CARBON R	RN72K1J-220JE	1	435032204R1	NSP
R3170	C-CARBON R	RN72K1J-391FE	1	435033912R1	NSP
R3171	C-CARBON R	RN72K1J-222FE	1	435032222R1	NSP
R3172	C-CARBON R	RN72K1J-392FE	1	435033922R1	NSP
R3173	C-CARBON R	RN72K1J-390JE	1	435033904R1	NSP
R3174	C-CARBON R	RN72K1J-390JE	1	435033904R1	NSP
R3175	C-CARBON R	RN72K1J-472JE	1	435034724R1	NSP
R3181	C-CARBON R	RN72K1J-470JE	1	435034704R1	NSP
R3182	C-CARBON R	RN72K1J-472JE	1	435034724R1	NSP
R3183	C-CARBON R	RN72K1J-470JE	1	435034704R1	NSP
R3184	C-CARBON R	RN72K1J-470JE	1	435034704R1	NSP
R3185	C-CARBON R	RN72K1J-103JE	1	435031034R1	NSP

R3187	C-CARBON R	RN72K1J-223FE	1	435032232R1	NSP
R3188	C-CARBON R	RN72K1J-224FE	1	435032242R1	NSP
R3190	C-CARBON R	RN72K1J-333FE	1	435033332R1	NSP
R3192	C-CARBON R	RN72K1J-472JE	1	435034724R1	NSP
R3193	C-CARBON R	RN72K1J-472JE	1	435034724R1	NSP
R3194	C-CARBON R	RN72K1J-472JE	1	435034724R1	NSP
R3199	C-CARBON R	RN72K1J-102JE	1	435031024R1	NSP
R3200	C-CARBON R	RN72K1J-103JE	1	435031034R1	NSP
R3203	C-CARBON R	RN72K1J-103JE	1	435031034R1	NSP
R3204	C-CARBON R	RN72K1J-103JE	1	435031034R1	NSP
R3205	C-CARBON R	RN72K1J-103JE	1	435031034R1	NSP
R3206	C-CARBON R	RN72K1J-103JE	1	435031034R1	NSP
R3207	C-CARBON R	RN72K1J-472JE	1	435034724R1	NSP
R3208	C-CARBON R	RN72K1J-271JE	1	435032714R1	NSP
R3209	C-CARBON R	RN72K1J-103JE	1	435031034R1	NSP
R3210	C-CARBON R	RN72K1J-103JE	1	435031034R1	NSP
R3211	C-CARBON R	RN72K1J-103JE	1	435031034R1	NSP
R3212	C-CARBON R	RN72K1J-220JE	1	435032204R1	NSP
R3213	C-CARBON R	RN72K1J-472JE	1	435034724R1	NSP
R3215	C-CARBON R	RN72K1J-221JE	1	435032214R1	NSP
R3218	C-CARBON R	RN72K1J-220JE	1	435032204R1	NSP
R3219	C-CARBON R	RN72K1J-221JE	1	435032214R1	NSP
R3225	C-CARBON R	RN72K1J-220JE	1	435032204R1	NSP
R3226	C-CARBON R	RN72K1J-470JE	1	435034704R1	NSP
R3227	C-CARBON R	RN72K1J-470JE	1	435034704R1	NSP
R3229	C-CARBON R	RN72K1J-470JE	1	435034704R1	NSP
R3230	C-CARBON R	RN72K1J-221JE	1	435032214R1	NSP
R3232	C-CARBON R	RN72K1J-103JE	1	435031034R1	NSP
R3234	C-CARBON R	RN72K1J-470JE	1	435034704R1	NSP
R3235	C-CARBON R	RN72K1J-470JE	1	435034704R1	NSP
R3236	C-CARBON R	RN72K1J-470JE	1	435034704R1	NSP
R3237	C-CARBON R	RN72K1J-103JE	1	435031034R1	NSP
R3238	C-CARBON R	RN72K1J-470JE	1	435034704R1	NSP
R3239	C-CARBON R	RN72K1J-103JE	1	435031034R1	NSP
R3240	C-CARBON R	RN72K1J-103JE	1	435031034R1	NSP
R3241	C-CARBON R	RN72K1J-103JE	1	435031034R1	NSP
R3242	C-CARBON R	RN72K1J-103JE	1	435031034R1	NSP
R3244	C-CARBON R	RN72K1J-470JE	1	435034704R1	NSP
R3247	C-CARBON R	RN72K1J-121JE	1	435031214R1	NSP
R3251	C-CARBON R	RN72K1J-470JE	1	435034704R1	NSP
R3254	C-CARBON R	RN72K1J-470JE	1	435034704R1	NSP
R3255	C-CARBON R	RN72K1J-103JE	1	435031034R1	NSP
R3256	C-CARBON R	RN72K1J-470JE	1	435034704R1	NSP
R3257	C-CARBON R	RN72K1J-470JE	1	435034704R1	NSP
R3260	C-CARBON R	RN72K1J-390JE	1	435033904R1	NSP
R3262	C-CARBON R	RN72K1J-221JE	1	435032214R1	NSP
R3264	C-CARBON R	RN72K1J-470JE	1	435034704R1	NSP
R3265	C-CARBON R	RN72K1J-390JE	1	435033904R1	NSP
R3267	C-CARBON R	RN72K1J-470JE	1	435034704R1	NSP

R3271	C-CARBON R	RN72K1J-390JE	1	435033904R1	NSP
R3272	C-CARBON R	RN72K1J-470JE	1	435034704R1	NSP
R3276	C-CARBON R	RN72K1J-470JE	1	435034704R1	NSP
R3277	C-CARBON R	RN72K1J-220JE	1	435032204R1	NSP
R3278	C-CARBON R	RN72K1J-103JE	1	435031034R1	NSP
R3280	C-CARBON R	RN72K1J-470JE	1	435034704R1	NSP
R3283	C-CARBON R	RN72K1J-103JE	1	435031034R1	NSP
R3284	C-CARBON R	RN72K1J-103JE	1	435031034R1	NSP
R3670	C-CARBON R	RN72K1J-103JE	1	435031034R1	NSP
R3901	C-CARBON R	RN72K1J-152JE	1	435031524R1	NSP
R3902	C-CARBON R	RN72K1J-274FE	1	435032742R1	NSP
R3903	C-CARBON R	RN72K1J-103FE	1	435031032R1	NSP
R3904	C-CARBON R	RN72K1J-563FE	1	435035632R1	NSP
R3905	C-CARBON R	RN72K1J-822JE	1	435038224R1	NSP
R3909	C-CARBON R	RN72K1J-824FE	1	435038242R1	NSP
R3910	C-CARBON R	RN72K1J-103FE	1	435031032R1	NSP
R3911	C-CARBON R	RN72K1J-273FE	1	435032732R1	NSP
R3912	C-CARBON R	RN72K1J-562JE	1	435035624R1	NSP
R3916	C-CARBON R	RN72K1J-334FE	1	435033342R1	NSP
R3917	C-CARBON R	RN72K1J-103FE	1	435031032R1	NSP
R3918	C-CARBON R	RN72K1J-563FE	1	435035632R1	NSP
R3919	C-CARBON R	RN72K1J-822JE	1	435038224R1	NSP
[SW TRM]					
JL407B	SOCKET	NSCT-5P97	1	25050269	
P3101A	PLUG	NPLG-5P918	1	25055965R2	
P3102A	SOCKET	NSCT-9P2472	1	25052575R2	
P3104	SOCKET	RB1-105B8A1F	1	25053409	
P3104 or	SOCKET	SI-60073-F	(1)	25053307	
P3104 or	SOCKET	EJFR0002	(1)	25056668	
P3201	TRM-423(SCREW)	NEJITANSI ST3	1	25060495	
P3202	TRM-423(SCREW)	NEJITANSI ST3	1	25060495	
P3203	TRM-423(SCREW)	NEJITANSI ST3	1	25060495	
P3605A	PLUG	IMSA-9142B-20A	1	25056600	
P3608A	PLUG	IMSA-9142B-20A	1	25056600	

TX-8050

PC BOARD PARTS LIST

* The part which it cannot supply is included. * The part which it cannot change is included.

U002	Amplifier Board AS	BAAF-0704-1C *	1	1B259504-1C	N	<B MDC>
	(U0020+U0021+U0023+U0024)					
U002	Amplifier Board AS	BAAF-0704-1D *	1	1B259504-1D	N	<B MPP / S MPP>
	(U0020+U0021+U0023+U0024)					
U0020	Amplifier Board AS	BAAF-0704-1C	1	1B2595704-1C	N	<B MDC>
U0020	Amplifier Board AS	BAAF-0704-1D	1	1B2595704-1D	N	<B MPP / S MPP>
U0021	FL drive Board AS	BAPS-0705-1C	1	1B2595705-1C	N	<B MDC>
U0021	FL drive Board AS	BAPS-0705-1D	1	1B2595705-1D	N	<B MPP / S MPP>
U0022	Trans terminal Board AS	BAPS-0706-1C	1	1B2595706-1C	N	<B MDC>
U0022	Trans terminal Board AS	BAPS-0706-1D	1	1B2595706-1D	N	<B MPP / S MPP>
U0023	HP Jack Board AS	BAETC-0707-1C	1	1B2595707-1C	N	<B MDC>
U0023	HP Jack Board AS	BAETC-0707-1D	1	1B2595707-1D	N	<B MPP / S MPP>

U0024	ETC Board	BAETC-0708-1C	1	1B2595708-1C	N	<B MDC>
U0024	ETC Board	BAETC-0708-1D	1	1B2595708-1D	N	<B MPP / S MPP>

CIRCUIT	PART NAME	DESCRIPTION	Q'TY	PART NO. (SN)	REMARKS
[SEMI CONDUCTOR]					
D4001	ZENER D	MTZJ6.8B	1	224470682T	
D4002	ZENER D	MTZJ6.8B	1	224470682T	
D4003	ZENER D	MTZJ5.6B	1	224470562T	
D5001	ZENER D	MTZJ5.6B	1	224470562T	
D5002	ZENER D	MTZJ5.6B	1	224470562T	
D5003	C-DIODE	DA2J10100	1	223303R2	NSP
D5003 or	C-DIODE	1SS352	(1)	223234R2	NSP
D5003 or	C-DIODE	1SS355	(1)	223269R2	NSP
D5003 or	C-DIODE	MA2J111	(1)	223279R2	NSP
D5003 or	C-DIODE	KDS4148U	(1)	223283R2	NSP
D5004	C-DIODE	DA2J10100	1	223303R2	NSP
D5004 or	C-DIODE	1SS352	(1)	223234R2	NSP
D5004 or	C-DIODE	1SS355	(1)	223269R2	NSP
D5004 or	C-DIODE	MA2J111	(1)	223279R2	NSP
D5004 or	C-DIODE	KDS4148U	(1)	223283R2	NSP
D5101	ZENER D	DZ2J033M0L	1	224760330R2	
D5101 or	ZENER D	UDZS3.3B	(1)	224550330R2	
D5102	ZENER D	DZ2J068M0L	1	224760680R2	
D5102 or	ZENER D	UDZS6.8B	(1)	224550680R2	
D5201	C-DIODE	DA2J10100	1	223303R2	NSP
D5201 or	C-DIODE	1SS352	(1)	223234R2	NSP
D5201 or	C-DIODE	1SS355	(1)	223269R2	NSP
D5201 or	C-DIODE	MA2J111	(1)	223279R2	NSP
D5201 or	C-DIODE	KDS4148U	(1)	223283R2	NSP
D5202	C-DIODE	DA2J10100	1	223303R2	NSP
D5202 or	C-DIODE	1SS352	(1)	223234R2	NSP
D5202 or	C-DIODE	1SS355	(1)	223269R2	NSP
D5202 or	C-DIODE	MA2J111	(1)	223279R2	NSP
D5202 or	C-DIODE	KDS4148U	(1)	223283R2	NSP
D5203	ZENER D	DZ2J033M0L	1	224760330R2	
D5203 or	ZENER D	UDZS3.3B	(1)	224550330R2	
D5301	DIODE	1SS133	1	223163T	
D5302	DIODE	1SS133	1	223163T	
D5501	C-DIODE	DA2J10100	1	223303R2	NSP
D5501 or	C-DIODE	1SS352	(1)	223234R2	NSP
D5501 or	C-DIODE	1SS355	(1)	223269R2	NSP
D5501 or	C-DIODE	MA2J111	(1)	223279R2	NSP
D5501 or	C-DIODE	KDS4148U	(1)	223283R2	NSP
D5502	C-DIODE	DA2J10100	1	223303R2	NSP
D5502 or	C-DIODE	1SS352	(1)	223234R2	NSP
D5502 or	C-DIODE	1SS355	(1)	223269R2	NSP
D5502 or	C-DIODE	MA2J111	(1)	223279R2	NSP
D5502 or	C-DIODE	KDS4148U	(1)	223283R2	NSP
D922	C-DIODE	S1NB60-4062	1	22380318R2	NSP

D923	DIODE	D10XB60H	1	22380337	<B MDC, B MPP>
D925	DIODE	1SS133	1	223163T	
D926	DIODE	1SS133	1	223163T	
D929	C-DIODE	DA2J10100	1	223303R2	NSP
D929 or	C-DIODE	1SS352	(1)	223234R2	NSP
D929 or	C-DIODE	1SS355	(1)	223269R2	NSP
D929 or	C-DIODE	MA2J111	(1)	223279R2	NSP
D929 or	C-DIODE	KDS4148U	(1)	223283R2	NSP
D930	C-DIODE	DA2J10100	1	223303R2	NSP
D930 or	C-DIODE	1SS352	(1)	223234R2	NSP
D930 or	C-DIODE	1SS355	(1)	223269R2	NSP
D930 or	C-DIODE	MA2J111	(1)	223279R2	NSP
D930 or	C-DIODE	KDS4148U	(1)	223283R2	NSP
D951	DIODE	RL1N4003	1	22380260T	
D952	ZENER D	DZ2J220M0L	1	224762200R2	
D952 or	ZENER D	UDZS22B	(1)	224552200R2	
D953	ZENER D	DZ2J220M0L	1	224762200R2	
D953 or	ZENER D	UDZS22B	(1)	224552200R2	
D954	DIODE	RL1N4003	1	22380260T	
Q4001	IC	R2A15218FP	1	22242605R3	
Q4003	TR	RN1441	1	2215410R2	
Q4004	TR	RN1441	1	2215410R2	
Q4005	TR	RN1441	1	2215410R2	
Q4006	TR	RN1441	1	2215410R2	
Q4301	IC	NJM4580M-D	1	22241448R2	
Q4401	IC	NJM4580M-D	1	22241448R2	
Q4402	TR	2SC2235-Y(TPE6_F)	1	2211654T	
Q5001	TR	2SC2240-BL(TPE2_F)	1	2211406T	
Q5002	TR	2SC2240-BL(TPE2_F)	1	2211406T	
Q5003	TR	2SC2240-BL(TPE2_F)	1	2211406T	
Q5004	TR	2SC2240-BL(TPE2_F)	1	2211406T	
Q5005	TR	2SC1815-GR	1	2211255T	
Q5006	TR	2SC1815-GR	1	2211255T	
Q5007	TR	2SA949-Y(TPE6_F)	1	2211354T	
Q5008	TR	2SA949-Y(TPE6_F)	1	2211354T	
Q5009	TR	2SC2229-Y(TPE6_F)	1	2211634T	
Q5010	TR	2SC2229-Y(TPE6_F)	1	2211634T	
Q5011	TR	2SC1740S-S	1	2213285T	
Q5012	TR	2SC1740S-S	1	2213285T	
Q5013	TR	2SC1740S-S	1	2213285T	
Q5014	TR	2SC1740S-S	1	2213285T	
Q5015	TR	2SC5171(ONK_Q)	1	2203010	
Q5016	TR	2SC5171(ONK_Q)	1	2203010	
Q5017	TR	2SA1930(ONK_Q)	1	2203000	
Q5018	TR	2SA1930(ONK_Q)	1	2203000	
Q5023	TR	2SC2229-Y(TPE6_F)	1	2211634T	
Q5024	TR	2SC2229-Y(TPE6_F)	1	2211634T	
Q5101	TR	2SA1163-BL(TE85L_F)	1	2216756R2	
Q5201	TR	2SA1163-BL(TE85L_F)	1	2216756R2	

Q5202	TR	2SC2712-GR	1	2213145R2	
Q5203	TR	2SC2712-GR	1	2213145R2	
Q5301	TR	KRC105S	1	2217290R2	
Q5301 or	TR	RN1405	(1)	2214500R2	
Q5302	TR	KRC105S	1	2217290R2	
Q5302 or	TR	RN1405	(1)	2214500R2	
Q911	IC	78M15HF(NJM78M15FA)	1	222780155JRC	
Q911D	HEAT SINK	RAD-165	1	27160500	NSP
Q912	IC	79M15HF(NJM79M15FA)	1	222790155JRC	
Q913	TR	KRC105S	1	2217290R2	
Q913 or	TR	RN1405	(1)	2214500R2	
Q914	TR	KRC105S	1	2217290R2	
Q914 or	TR	RN1405	(1)	2214500R2	
Q951	TR	2SC2235-Y(TPE6_F)	1	2211654T	
[CHASSIS SCREW]					
D923A	SCREW	3P+10FN(3BC)	1	82143010GR	NSP <B MDC, B MPP>
Q911A	SCREW	3P+6FN(3BC)	1	82143006GR	NSP
Q912A	SCREW	3P+6FN(3BC)	1	82143006GR	NSP
[TRANS COIL]					
L5001	S COIL	SC-0.8X11.5X12.5T-6.5L	1	231393S	
L5002	S COIL	SC-0.8X11.5X12.5T-6.5L	1	231393S	
L5501	EMIFIL	BK1608LM182-T	1	230958R1	
L5502	EMIFIL	BK1608LM182-T	1	230958R1	
L5503	EMIFIL	BK1608LM182-T	1	230958R1	
[CAPACITOR]					
C4001	UPZ C	2AUPZTF221JE	1	376332214T	
C4002	UPZ C	2AUPZTF221JE	1	376332214T	
C4003	UPZ C	2AUPZTF221JE	1	376332214T	
C4004	UPZ C	2AUPZTF221JE	1	376332214T	
C4005	UPZ C	2AUPZTF221JE	1	376332214T	
C4006	UPZ C	2AUPZTF221JE	1	376332214T	
C4007	UPZ C	2AUPZTF221JE	1	376332214T	
C4008	UPZ C	2AUPZTF221JE	1	376332214T	
C4009	UPZ C	2AUPZTF221JE	1	376332214T	
C4010	UPZ C	2AUPZTF221JE	1	376332214T	
C4011	UPZ C	2AUPZTF221JE	1	376332214T	
C4012	UPZ C	2AUPZTF221JE	1	376332214T	
C4013	C-CERA C	CC725CH1H-102J1	1	342101024R1	NSP
C4014	C-CERA C	CC725CH1H-102J1	1	342101024R1	NSP
C4015	C-CERA C	CC725CH1H-102J1	1	342101024R1	NSP
C4016	UTSP C	CE04W25V-47M(UTSP)	1	397554707T	
C4017	UTSP C	CE04W25V-47M(UTSP)	1	397554707T	
C4018	UTSP C	CE04W25V-47M(UTSP)	1	397554707T	
C4021	UTSP C	CE04W25V-47M(UTSP)	1	397554707T	
C4022	UTSP C	CE04W25V-47M(UTSP)	1	397554707T	
C4023	TF C	ECQ-V50V-223J	1	374722234T	
C4024	TF C	ECQ-V50V-223J	1	374722234T	
C4025	TF C	ECQ-V50V-823J	1	374728234T	
C4026	TF C	ECQ-V50V-823J	1	374728234T	

C4027	TF C	ECQ-V50V-474J	1	374724744T	
C4028	TF C	ECQ-V50V-474J	1	374724744T	
C4031	UTSP C	CE04W25V-47M(UTSP)	1	397554707T	<B MDC, B MPP>
C4032	UTSP C	CE04W25V-47M(UTSP)	1	397554707T	<B MDC, B MPP>
C4033	UPZ C	2AUPZTF221JE	1	376332214T	
C4034	UPZ C	2AUPZTF221JE	1	376332214T	
C4035	UPZ C	2AUPZTF221JE	1	376332214T	
C4036	UPZ C	2AUPZTF221JE	1	376332214T	
C4037	UTSP C	CE04W50V 47M(UTSP)	1	397584707T	<B MDC, B MPP>
C4038	UTSP C	CE04W50V 47M(UTSP)	1	397584707T	<B MDC, B MPP>
C4045	UTSP C	CE04W16V-470M(UTSP)	1	397544717T	
C4046	UTSP C	CE04W16V-470M(UTSP)	1	397544717T	
C4051	UTSP C	CE04W50V 47M(UTSP)	1	397584707T	<B MDC, B MPP>
C4052	UTSP C	CE04W50V 47M(UTSP)	1	397584707T	<B MDC, B MPP>
C4101	UTSP C	CE04W50V 47M(UTSP)	1	397584707T	
C4102	UTSP C	CE04W50V 47M(UTSP)	1	397584707T	
C4103	TF C	ECQ-V50V-104J	1	374721044T	
C4301	MKT C	B32529C0102J289	1	376491024T	
C4301 or	UMXR C	1HUMXRTEF102JE	(1)	376521024T	
C4302	MKT C	B32529C0102J289	1	376491024T	
C4302 or	UMXR C	1HUMXRTEF102JE	(1)	376521024T	
C4303	UTSP C	CE04W50V 47M(UTSP)	1	397584707T	
C4304	UTSP C	CE04W50V 47M(UTSP)	1	397584707T	
C4305	UTSP C	CE04W25V-220M(UTSP)	1	397552217T	
C4306	UTSP C	CE04W25V-220M(UTSP)	1	397552217T	
C4307	MKT C	B32529C0472J289	1	376494724T	
C4307 or	UMXR C	1HUMXRTEF472JE	(1)	376524724T	
C4308	MKT C	B32529C0472J289	1	376494724T	
C4308 or	UMXR C	1HUMXRTEF472JE	(1)	376524724T	
C4309	MKT C	B32529C0152J289	1	376491524T	
C4309 or	UMXR C	1HUMXRTEF152JE	(1)	376521524T	
C4310	MKT C	B32529C0152J289	1	376491524T	
C4310 or	UMXR C	1HUMXRTEF152JE	(1)	376521524T	
C4311	UTSP C	CE04W50V-22M(UTSP)	1	397582207T	
C4312	UTSP C	CE04W50V-22M(UTSP)	1	397582207T	
C4313	MKT C	B32529C0222J289	1	376492224T	
C4313 or	UMXR C	1HUMXRTEF222JE	(1)	376522224T	
C4314	MKT C	B32529C0222J289	1	376492224T	
C4314 or	UMXR C	1HUMXRTEF222JE	(1)	376522224T	
C4315	UTSP C	CE04W25V-100M(UTSP)	1	397551017T	
C4316	UTSP C	CE04W25V-100M(UTSP)	1	397551017T	
C4317	C-CERA C	CC725CH1H-221J1	1	342102214R1	NSP
C4318	C-CERA C	CC725CH1H-221J1	1	342102214R1	NSP
C4319	MKT C	B32529C0102J289	1	376491024T	
C4319 or	UMXR C	1HUMXRTEF102JE	(1)	376521024T	
C4320	MKT C	B32529C0102J289	1	376491024T	
C4320 or	UMXR C	1HUMXRTEF102JE	(1)	376521024T	
C4403	UTSP C	CE04W25V-47M(UTSP)	1	397554707T	
C4404	UTSP C	CE04W25V-47M(UTSP)	1	397554707T	

C4405	MKT C	B32529C0102J289	1	376491024T	
C4405 or	UMXR C	1HUMXRTE102JE	(1)	376521024T	
C4406	MKT C	B32529C0102J289	1	376491024T	
C4406 or	UMXR C	1HUMXRTE102JE	(1)	376521024T	
C4407	UTSP C	CE04W25V-47M(UTSP)	1	397554707T	
C4408	UTSP C	CE04W25V-47M(UTSP)	1	397554707T	
C4409	UTSP C	CE04W25V-220M(UTSP)	1	397552217T	
C4410	UTSP C	CE04W25V-220M(UTSP)	1	397552217T	
C4411	C-CERA C	CK725F1E-104Z1	1	332161040R1	NSP
C4413	C-CERA C	CC725CH1H-221J1	1	342102214R1	NSP
C4414	C-CERA C	CC725CH1H-221J1	1	342102214R1	NSP
C5001	UPZ C	2AUPZTF221JE	1	376332214T	
C5002	UPZ C	2AUPZTF221JE	1	376332214T	
C5003	UTSP C	CE04W50V 47M(UTSP)	1	397584707T	
C5004	UTSP C	CE04W50V 47M(UTSP)	1	397584707T	
C5005	UTSP C	CE04W50V-10M(UTSP)	1	397581007T	
C5006	UTSP C	CE04W50V-10M(UTSP)	1	397581007T	
C5007	UTSP C	CE04W25V-220M(UTSP)	1	397552217T	
C5008	UTSP C	CE04W25V-220M(UTSP)	1	397552217T	
C5009	UTSP C	CE04W100V-22M(UTSP)	1	397592207T	
C5010	UTSP C	CE04W100V-22M(UTSP)	1	397592207T	
C5011	UTSP C	CE04W100V-22M(UTSP)	1	397592207T	
C5012	UTSP C	CE04W100V-22M(UTSP)	1	397592207T	
C5013	CERA C	CC45SL50V-040C	1	345020401T	NSP
C5014	CERA C	CC45SL50V-040C	1	345020401T	NSP
C5015	UPZ C	2AUPZTF101JE	1	376331014T	
C5016	UPZ C	2AUPZTF101JE	1	376331014T	
C5017	UTSP C	CE04W50V 47M(UTSP)	1	397584707T	
C5018	UTSP C	CE04W50V 47M(UTSP)	1	397584707T	
C5019	UTSP C	CE04W50V 47M(UTSP)	1	397584707T	
C5020	UTSP C	CE04W50V 47M(UTSP)	1	397584707T	
C5021	TF C	ECQ-V50V-103J	1	374721034T	
C5022	TF C	ECQ-V50V-103J	1	374721034T	
C5023	TF C	ECQ-V50V-473J	1	374724734T	
C5024	TF C	ECQ-V50V-473J	1	374724734T	
C5027	C-CERA C	CK725B1H-103K1	1	332101035R1	NSP
C5028	C-CERA C	CK725B1H-103K1	1	332101035R1	NSP
C5101	C-CERA C	CK725F1E-104Z1	1	332161040R1	NSP
C5102	UTSP C	CE04W50V-1M(UTSP)	1	397580107T	
C5103	UTSP C	CE04W50V-1M(UTSP)	1	397580107T	
C5104	C-CERA C	CK725F1E-104Z1	1	332161040R1	NSP
C5201	UTSP C	CE04W50V-1M(UTSP)	1	397580107T	
C5202	UTSP C	CE04W50V-100M(UTSP)	1	397581017T	
C5203	C-CERA C	CK725F1E-104Z1	1	332161040R1	NSP
C5301	MKT C	B32529C0102J289	1	376491024T	
C5301 or	UMXR C	1HUMXRTE102JE	(1)	376521024T	
C5302	MKT C	B32529C0102J289	1	376491024T	
C5302 or	UMXR C	1HUMXRTE102JE	(1)	376521024T	
C5305	TF C	ECQ-V50V-103J	1	374721034T	

C5306	TF C	ECQ-V50V-103J	1	374721034T	
C5307	TF C	ECQ-V50V-103J	1	374721034T	
C5308	TF C	ECQ-V50V-103J	1	374721034T	
C5309	TF C	ECQ-V50V-103J	1	374721034T	
C5310	TF C	ECQ-V50V-103J	1	374721034T	
C5501	C-CERA C	CC725CH1H-102J1	1	342101024R1	NSP
C5502	C-CERA C	CC725CH1H-102J1	1	342101024R1	NSP
C5503	C-CERA C	CK725F1E-104Z1	1	332161040R1	NSP
C911	ELECT C	CE69W63V-8200MB	1	3504420	
C912	ELECT C	CE69W63V-8200MB	1	3504420	
C913	TF C	ECQ-V50V-334J	1	374723344T	
C914	TF C	ECQ-V50V-334J	1	374723344T	
C915	TF C	ECQ-V50V-334J	1	374723344T	<B MPP>
C916	TF C	ECQ-V50V-334J	1	374723344T	<B MPP>
C917	VR C	CE04W35V-1000M(VR)	1	394661027S	
C917 or	JAMICON	CE04W35V-1000M	(1)	398561027T	N
C918	VR C	CE04W35V-1000M(VR)	1	394661027S	
C918 or	JAMICON	CE04W35V-1000M	(1)	398561027T	N
C919	UTSP C	CE04W25V-220M(UTSP)	1	397552217T	
C920	UTSP C	CE04W25V-220M(UTSP)	1	397552217T	
C921	TF C	ECQ-V50V-104J	1	374721044T	<B MPP>
C922	VR C	CE04W16V-10000M(VR)	1	394641037S	<B MDC, B MPP>
C923	C-CERA C	CC725CH1H-102J1	1	342101024R1	NSP
C924	C-CERA C	CC725CH1H-102J1	1	342101024R1	NSP
C931	UTSP C	CE04W50V-10M(UTSP)	1	397581007T	
C932	UTSP C	CE04W50V-10M(UTSP)	1	397581007T	
C951	VR C	CE04W63V-220M(VR)	1	394672217T	
C952	UTSP C	CE04W50V 47M(UTSP)	1	397584707T	
C953	TF C	ECQ-V50V-104J	1	374721044T	
C954	TF C	ECQ-V50V-104J	1	374721044T	
[RESISTOR]					
R4001	C-CARBON R	RN72K1J-331JE	1	435033314R1	NSP
R4002	C-CARBON R	RN72K1J-331JE	1	435033314R1	NSP
R4003	C-CARBON R	RN72K1J-104JE	1	435031044R1	NSP
R4004	C-CARBON R	RN72K1J-104JE	1	435031044R1	NSP
R4007	C-CARBON R	RN72K1J-222JE	1	435032224R1	NSP
R4008	C-CARBON R	RN72K1J-222JE	1	435032224R1	NSP
R4009	C-CARBON R	RN72K1J-224JE	1	435032244R1	NSP
R4010	C-CARBON R	RN72K1J-224JE	1	435032244R1	NSP
R4011	C-CARBON R	RN72K1J-331JE	1	435033314R1	NSP
R4012	C-CARBON R	RN72K1J-331JE	1	435033314R1	NSP
R4013	C-CARBON R	RN72K1J-104JE	1	435031044R1	NSP
R4014	C-CARBON R	RN72K1J-104JE	1	435031044R1	NSP
R4015	C-CARBON R	RN72K1J-331JE	1	435033314R1	NSP
R4016	C-CARBON R	RN72K1J-331JE	1	435033314R1	NSP
R4017	C-CARBON R	RN72K1J-104JE	1	435031044R1	NSP
R4018	C-CARBON R	RN72K1J-104JE	1	435031044R1	NSP
R4019	C-CARBON R	RN72K1J-331JE	1	435033314R1	NSP
R4020	C-CARBON R	RN72K1J-331JE	1	435033314R1	NSP

R4021	C-CARBON R	RN72K1J-104JE	1	435031044R1	NSP
R4022	C-CARBON R	RN72K1J-104JE	1	435031044R1	NSP
R4023	C-CARBON R	RN72K1J-222JE	1	435032224R1	NSP
R4024	C-CARBON R	RN72K1J-222JE	1	435032224R1	NSP
R4025	C-CARBON R	RN72K1J-224JE	1	435032244R1	NSP
R4026	C-CARBON R	RN72K1J-224JE	1	435032244R1	NSP
R4027	C-CARBON R	RN72K1J-331JE	1	435033314R1	NSP
R4028	C-CARBON R	RN72K1J-331JE	1	435033314R1	NSP
R4029	C-CARBON R	RN72K1J-104JE	1	435031044R1	NSP
R4030	C-CARBON R	RN72K1J-104JE	1	435031044R1	NSP
R4031	C-CARBON R	RN72K1J-331JE	1	435033314R1	NSP
R4032	C-CARBON R	RN72K1J-331JE	1	435033314R1	NSP
R4033	C-CARBON R	RN72K1J-104JE	1	435031044R1	NSP
R4034	C-CARBON R	RN72K1J-104JE	1	435031044R1	NSP
R4035	C-CARBON R	RN72K1J-472JE	1	435034724R1	NSP
R4036	C-CARBON R	RN72K1J-472JE	1	435034724R1	NSP
R4037	C-CARBON R	RN72K1J-472JE	1	435034724R1	NSP
R4039	C-CARBON R	RN72K1J-472JE	1	435034724R1	NSP
R4040	C-CARBON R	RN72K1J-472JE	1	435034724R1	NSP
R4041	C-CARBON R	RN72K1J-182JE	1	435031824R1	NSP
R4042	C-CARBON R	RN72K1J-182JE	1	435031824R1	NSP
R4043	C-CARBON R	RN72K1J-472JE	1	435034724R1	NSP
R4044	C-CARBON R	RN72K1J-472JE	1	435034724R1	NSP
R4045	C-CARBON R	RN72K1J-472JE	1	435034724R1	NSP
R4047	C-CARBON R	RN72K1J-000JE	1	435030004R1	NSP
R4048	C-CARBON R	RN72K1J-103JE	1	435031034R1	NSP
R4049	C-CARBON R	RN72K1J-103JE	1	435031034R1	NSP
R4050	C-CARBON R	RN72K1J-103JE	1	435031034R1	NSP
R4051	METAL O R	RS1WBJ-68	1	443626804T	
R4052	METAL O R	RS1WBJ-68	1	443626804T	
R4053	METAL O R	RS1WBJ-47	1	443624704T	
R4054	METAL O R	RS1WBJ-47	1	443624704T	
R4055	C-CARBON R	RN72K1J-224JE	1	435032244R1	NSP
R4056	C-CARBON R	RN72K1J-224JE	1	435032244R1	NSP
R4057	C-CARBON R	RN72K1J-224JE	1	435032244R1	NSP
R4058	C-CARBON R	RN72K1J-224JE	1	435032244R1	NSP
R4059	C-CARBON R	RN72K1J-472JE	1	435034724R1	NSP
R4060	C-CARBON R	RN72K1J-472JE	1	435034724R1	NSP
R4061	C-CARBON R	RN72K1J-472JE	1	435034724R1	NSP
R4062	C-CARBON R	RN72K1J-472JE	1	435034724R1	NSP
R4063	C-CARBON R	RN72K1J-472JE	1	435034724R1	NSP
R4064	C-CARBON R	RN72K1J-472JE	1	435034724R1	NSP
R4065	C-CARBON R	RN72K1J-472JE	1	435034724R1	NSP
R4066	C-CARBON R	RN72K1J-472JE	1	435034724R1	NSP
R4101	C-CARBON R	RN72K1J-224JE	1	435032244R1	NSP
R4102	C-CARBON R	RN72K1J-224JE	1	435032244R1	NSP
R4103	C-CARBON R	RN72K1J-271JE	1	435032714R1	NSP
R4104	C-CARBON R	RN72K1J-271JE	1	435032714R1	NSP
R4105	C-CARBON R	RN72K1J-101JE	1	435031014R1	NSP

R4106	C-CARBON R	RN72K1J-101JE	1	435031014R1	NSP
R4107	C-CARBON R	RN72K1J-224JE	1	435032244R1	NSP
R4301	C-CARBON R	RN72K1J-102JE	1	435031024R1	NSP
R4302	C-CARBON R	RN72K1J-102JE	1	435031024R1	NSP
R4303	C-CARBON R	RN72K1J-563JE	1	435035634R1	NSP
R4304	C-CARBON R	RN72K1J-563JE	1	435035634R1	NSP
R4305	C-CARBON R	RN72K1J-224JE	1	435032244R1	NSP
R4306	C-CARBON R	RN72K1J-224JE	1	435032244R1	NSP
R4307	C-CARBON R	RN72K1J-122JE	1	435031224R1	NSP
R4308	C-CARBON R	RN72K1J-122JE	1	435031224R1	NSP
R4309	C-CARBON R	RN72K1J-564JE	1	435035644R1	NSP
R4310	C-CARBON R	RN72K1J-564JE	1	435035644R1	NSP
R4311	C-CARBON R	RN72K1J-473JE	1	435034734R1	NSP
R4312	C-CARBON R	RN72K1J-473JE	1	435034734R1	NSP
R4313	C-CARBON R	RN72K1J-122JE	1	435031224R1	NSP
R4314	C-CARBON R	RN72K1J-122JE	1	435031224R1	NSP
R4315	C-CARBON R	RN72K1J-821JE	1	435038214R1	NSP
R4316	C-CARBON R	RN72K1J-821JE	1	435038214R1	NSP
R4317	C-CARBON R	RN72K1J-224JE	1	435032244R1	NSP
R4318	C-CARBON R	RN72K1J-224JE	1	435032244R1	NSP
R4319	NF CARBON R	R25J-100	1	415471014T	
R4320	NF CARBON R	R25J-100	1	415471014T	
R4401	C-CARBON R	RN72K1J-333JE	1	435033334R1	NSP
R4402	C-CARBON R	RN72K1J-333JE	1	435033334R1	NSP
R4403	C-CARBON R	RN72K1J-822JE	1	435038224R1	NSP
R4404	C-CARBON R	RN72K1J-822JE	1	435038224R1	NSP
R4405	C-CARBON R	RN72K1J-822JE	1	435038224R1	NSP
R4406	C-CARBON R	RN72K1J-822JE	1	435038224R1	NSP
R4407	C-CARBON R	RN72K1J-102JE	1	435031024R1	NSP
R4408	C-CARBON R	RN72K1J-102JE	1	435031024R1	NSP
R4411	NF CARBON R	R25J-100	1	415471014T	
R4412	NF CARBON R	R25J-100	1	415471014T	
R4413	C-CARBON R	RN72K1J-223JE	1	435032234R1	NSP
R4414	C-CARBON R	RN72K1J-223JE	1	435032234R1	NSP
R4415	METAL O R	RS1WBJ-100	1	443621014T	
R4416	C-CARBON R	RN72K1J-472JE	1	435034724R1	
R4417	C-CARBON R	RN72K1J-333JE	1	435033334R1	NSP
R4419	C-CARBON R	RN72K1J-473JE	1	435034734R1	NSP
R4420	C-CARBON R	RN72K1J-473JE	1	435034734R1	NSP
R5001	C-CARBON R	RN72K1J-102JE	1	435031024R1	NSP
R5002	C-CARBON R	RN72K1J-102JE	1	435031024R1	NSP
R5003	CARBON R	R16J-56K	1	417345634T	
R5004	CARBON R	R16J-56K	1	417345634T	
R5007	CARBON R	R16J-330	1	417343314T	
R5008	CARBON R	R16J-330	1	417343314T	
R5009	C-CARBON R	RN72K1J-104JE	1	435031044R1	NSP
R5010	C-CARBON R	RN72K1J-104JE	1	435031044R1	NSP
R5011	C-CARBON R	RN72K1J-104JE	1	435031044R1	NSP
R5012	C-CARBON R	RN72K1J-104JE	1	435031044R1	NSP

R5013	CARBON R	R16J-2.2K	1	417342224T	
R5014	CARBON R	R16J-2.2K	1	417342224T	
R5015	CARBON R	R16J-1K	1	417341024T	
R5016	CARBON R	R16J-1K	1	417341024T	
R5017	CARBON R	R16J-4.7K	1	417344724T	
R5018	CARBON R	R16J-4.7K	1	417344724T	
R5019	CARBON R	R16J-1.2K	1	417341224T	
R5020	CARBON R	R16J-1.2K	1	417341224T	
R5021	CARBON R	R16J-1K	1	417341024T	
R5022	CARBON R	R16J-1K	1	417341024T	
R5023	CARBON R	R16J-1K	1	417341024T	
R5024	CARBON R	R16J-1K	1	417341024T	
R5025	NF CARBON R	R25J-100	1	415471014T	
R5026	NF CARBON R	R25J-100	1	415471014T	
R5027	NF CARBON R	R25J-100	1	415471014T	
R5028	NF CARBON R	R25J-100	1	415471014T	
R5029	CARBON R	R16J-56K	1	417345634T	
R5030	CARBON R	R16J-56K	1	417345634T	
R5033	CARBON R	R16J-22K	1	417342234T	
R5034	CARBON R	R16J-22K	1	417342234T	
R5035	CARBON R	R16J-22K	1	417342234T	
R5036	CARBON R	R16J-22K	1	417342234T	
R5037	CARBON R	R16J-470	1	417344714T	
R5038	CARBON R	R16J-470	1	417344714T	
R5039	C-CARBON R	RN72K1J-562JE	1	435035624R1	NSP
R5040	C-CARBON R	RN72K1J-562JE	1	435035624R1	NSP
R5041	C-CARBON R	RN72K1J-392JE	1	435033924R1	NSP
R5042	C-CARBON R	RN72K1J-392JE	1	435033924R1	NSP
R5043	TRIM R	N06HR2KBC	1	5210390T	
R5044	TRIM R	N06HR2KBC	1	5210390T	
R5045	C-CARBON R	RN72K1J-332JE	1	435033324R1	NSP
R5046	C-CARBON R	RN72K1J-332JE	1	435033324R1	NSP
R5047	NF CARBON R	R25J-2.2	1	415470224T	
R5048	NF CARBON R	R25J-2.2	1	415470224T	
R5049	NF CARBON R	R25J-100	1	415471014T	
R5050	NF CARBON R	R25J-100	1	415471014T	
R5051	NF CARBON R	R25J-0.22	1	415472294T	
R5052	NF CARBON R	R25J-0.22	1	415472294T	
R5053	NF CARBON R	R25J-0.22	1	415472294T	
R5054	NF CARBON R	R25J-0.22	1	415472294T	
R5057	C-CARBON R	RN72K1J-563JE	1	435035634R1	NSP
R5058	C-CARBON R	RN72K1J-563JE	1	435035634R1	NSP
R5059	C-CARBON R	RN72K1J-103JE	1	435031034R1	NSP
R5060	C-CARBON R	RN72K1J-103JE	1	435031034R1	NSP
R5061	C-CARBON R	RN72K1J-333JE	1	435033334R1	NSP
R5062	C-CARBON R	RN72K1J-333JE	1	435033334R1	NSP
R5063	CARBON R	R16J-22	1	417342204T	
R5064	CARBON R	R16J-22	1	417342204T	
R5065	CARBON R	R16J-22	1	417342204T	

R5066	CARBON R	R16J-22	1	417342204T	
R5067	METAL R	RNU1WCJ-8.2	1	453630824T	
R5068	METAL R	RNU1WCJ-8.2	1	453630824T	
R5069	C-CARBON R	RN72K1J-473JE	1	435034734R1	NSP
R5070	C-CARBON R	RN72K1J-473JE	1	435034734R1	NSP
R5071	C-CARBON R	RN72K1J-473JE	1	435034734R1	NSP
R5072	C-CARBON R	RN72K1J-473JE	1	435034734R1	NSP
R5075	C-CARBON R	RN72K1J-100JE	1	435031004R1	NSP
R5076	C-CARBON R	RN72K1J-100JE	1	435031004R1	NSP
R5101	CARBON R	R16J-22K	1	417342234T	
R5102	C-CARBON R	RN72K1J-103JE	1	435031034R1	NSP
R5103	C-CARBON R	RN72K1J-473JE	1	435034734R1	NSP
R5104	C-CARBON R	RN72K1J-224JE	1	435032244R1	NSP
R5105	C-CARBON R	RN72K1J-123JE	1	435031234R1	NSP
R5106	C-CARBON R	RN72K1J-103JE	1	435031034R1	NSP
R5181	NF CARBON R	R25J-10	1	415471004T	
R5182	NF CARBON R	R25J-10	1	415471004T	
R5191	NF CARBON R	R25J-10	1	415471004T	
R5192	NF CARBON R	R25J-10	1	415471004T	
R5201	C-CARBON R	RN72K1J-103JE	1	435031034R1	NSP
R5202	C-CARBON R	RN72K1J-473JE	1	435034734R1	NSP
R5203	C-CARBON R	RN72K1J-224JE	1	435032244R1	NSP
R5204	C-CARBON R	RN72K1J-333JE	1	435033334R1	NSP
R5301	METAL O R	RS1/2WBJ-10	1	443521004T	
R5501	METAL O R	RS1WBJ-390	1	443623914T	
R5502	METAL O R	RS1WBJ-390	1	443623914T	
R5505	METAL PR	MPR5W+5W 0R22	1	4000233	
R5505 or	METAL P R	RF-5EGPJR22	(1)	4000244	
R5506	METAL PR	MPR5W+5W 0R22	1	4000233	
R5506 or	METAL P R	RF-5EGPJR22	(1)	4000244	
R5603	C-CARBON R	RN72K1J-000JE	1	435030004R1	NSP
R5604	C-CARBON R	RN72K1J-000JE	1	435030004R1	NSP
R5605	C-CARBON R	RN72K1J-000JE	1	435030004R1	NSP
R5606	C-CARBON R	RN72K1J-000JE	1	435030004R1	NSP
R5607	C-CARBON R	RN72K1J-000JE	1	435030004R1	NSP
R5608	C-CARBON R	RN72K1J-000JE	1	435030004R1	NSP
R5609	C-CARBON R	RN72K1J-000JE	1	435030004R1	NSP
R5611	C-CARBON R	RN72K1J-000JE	1	435030004R1	NSP
R5612	C-CARBON R	RN72K1J-000JE	1	435030004R1	NSP
R5613	C-CARBON R	RN72K1J-000JE	1	435030004R1	NSP
R5615	C-CARBON R	RN72K1J-000JE	1	435030004R1	NSP
R5616	C-CARBON R	RN72K1J-000JE	1	435030004R1	NSP
R5617	C-CARBON R	RN72K1J-000JE	1	435030004R1	NSP
R5618	C-CARBON R	RN72K1J-000JE	1	435030004R1	NSP
R5619	C-CARBON R	RN72K1J-000JE	1	435030004R1	NSP
R5620	C-CARBON R	RN72K1J-000JE	1	435030004R1	NSP
R5622	C-CARBON R	RN72K1J-000JE	1	435030004R1	NSP
R5623	C-CARBON R	RN72K1J-000JE	1	435030004R1	NSP
R5624	C-CARBON R	RN72K1J-000JE	1	435030004R1	NSP

R5625	C-CARBON R	RN72K1J-000JE	1	435030004R1	NSP
R5626	C-CARBON R	RN72K1J-000JE	1	435030004R1	NSP
R5627	C-CARBON R	RN72K1J-000JE	1	435030004R1	NSP
R5628	C-CARBON R	RN72K1J-000JE	1	435030004R1	NSP
R5629	C-CARBON R	RN72K1J-000JE	1	435030004R1	NSP
R5630	C-CARBON R	RN72K1J-000JE	1	435030004R1	NSP
R911	METAL R	RNU1/2WCJ-0.22	1	453532294T	
R912	METAL R	RNU1/2WCJ-0.22	1	453532294T	
R913	METAL O R	RS1/2WBJ-10	1	443521004T	
R914	METAL O R	RS1/2WBJ-10	1	443521004T	
R921	METAL R	RNU1WCJ-8.2	1	453630824T	
R922	METAL R	RNU1WCJ-8.2	1	453630824T	
R951	METAL O R	RS1/2WBJ-10	1	443521004T	
R952	METAL R	RNU1/2WCJ-2.2	1	453530224T	
R953	METAL R	RNU1/2WCJ-3.3	1	453530334T	
R954	C-CARBON R	RN72K1J-822JE	1	435038224R1	NSP
R955	C-CARBON R	RN72K1J-333JE	1	435033334R1	NSP
[SW TRM]					
E500	TAPE	TAPE(CLOTH-16U)	1	29110083	
E901	TRM(SCREW)	NEJITANSI M3	1	25065425	
E903	TRM	NTM-1P232(M1700)	1	25060301	
F905	FUSE	5A-UL-125V	1	252385T	
F951A	FUSE HOL	NSCT-1P2031	1	25052133T	
F951B	FUSE HOL	NSCT-1P2031	1	25052133T	
F952A	FUSE HOL	NSCT-1P2031	1	25052133T	
F952B	FUSE HOL	NSCT-1P2031	1	25052133T	
JL402A	WIRE HOL	NSCT-7P898	1	25051111	
JL403A	WIRE HOL	NSCT-7P878	1	25051091	
JL407A	WIRE HOL	NSCT-5P896	1	25051109	<B MDC, B MPP>
JL409A	WIRE HOL	NSCT-11P882	1	25051095	
JL502A	SOCKET	NSCT-5P97	1	25050269	
JL502B	WIRE HOL	NSCT-5P896	1	25051109	
JL503A	WIRE HOL	NSCT-5P896	1	25051109	
JL503B	WIRE HOL	NSCT-5P896	1	25051109	
JL906A	WIRE HOL	NSCT-5P896	1	25051109	
JL907B	WIRE HOL	NSCT-7P898	1	25051111	
JL951A	WIRE HOL	NSCT-5P896	1	25051109	
JL951B	WIRE HOL	NSCT-5P896	1	25051109	
JL952B	WIRE TRAP	NPLG-5P588	1	25055626	
JL953A	WIRE HOL	NSCT-3P894	1	25051107	
JL953B	SOCKET	NSCT-3P95	1	25050267	
JL954A	WIRE HOL	NSCT-5P896	1	25051109	
JL954B	SOCKET	NSCT-5P97	1	25050269	
P4001	PIN JACK	NPJ-4PDRW691	1	25045923	<B MDC, B MPP>
P4002	PIN JACK	NPJ-6PDRW665	1	25045894	<B MDC, B MPP>
P4003	PIN JACK	NPJ-2PDRW583	1	25045803	<B MDC, B MPP>
P4004	PIN JACK	NPJ-6PDRW665	1	25045894	<B MDC, B MPP>
P4401A	SOCKET	NSCT-9P2102	1	25052205	
P4404A	PLUG	NPLG-15P0970	1	25056020	<B MDC, B MPP>

P4405A	PLUG	NPLG-15P0970	1	25056020	
P5001	PLUG	NPLG-2P29	1	25055038	
P5002	PLUG	NPLG-2P29	1	25055038	
P5301	TRM	NTM-4PDMNRR420	1	25060492	
P5302	TRM	NTM-4PDMNRR420	1	25060492	
P5501	ST JACK	MSJ-064-05A SR	1	25045783	
P915A	CRIMP AS	CRIMP AS	1	2069925252UL	N
P916B	CRIMP AS	UL1015#18SIN-SVH 300 BL	1	20799177UL	
P917A	CRIMP AS	CRIMP AS	1	2069925256UL	N
P971B	CRIMP AS	CRIMP AS	1	20799164UL	
P972B	CRIMP AS	UL1015#18SIN-SVH 200 YE	1	20799172UL	
RL501	RELAY	NRL-2P5A-DC24-129	1	25065563A	
RL501 or	RELAY	NRL-2P5A-DC24-193	(1)	25065703	
RL502	RELAY	NRL-2P5A-DC24-129	1	25065563A	
RL502 or	RELAY	NRL-2P5A-DC24-193	(1)	25065703	
RL911	RELAY	NRL-1P10A-DC12-140	1	25065584	
RL912	RELAY	NRL-1P10A-DC12-140	1	25065584	
RL913	RELAY	NRL-1P10A-DC12-196	1	25065707	
RL913 or	RELAY	NRL-1P10A-DC12-197	(1)	25065708	
RL913 or	RELAY	NRL-1P10A-DC12-198	(1)	25065709	
RL914	RELAY	NRL-1P10A-DC12-196	1	25065707	
RL914 or	RELAY	NRL-1P10A-DC12-197	(1)	25065708	
RL914 or	RELAY	NRL-1P10A-DC12-198	(1)	25065709	

TX-8050

PC BOARD PARTS LIST

* The part which it cannot supply is included. * The part which it cannot change is included.

U003	MPU/DAC/DIR Board AS	BADG-0715-1A *	1	1B259515-1A	N	<B MDC>
U003	MPU/DAC/DIR Board AS	BADG-0715-1B *	1	1B259515-1B	N	<B MPP / S MPP>
U0030	MPU/DAC/DIR Board AS	BADG-0715-1A	1	1B2595715-1A	N	<B MDC>
U0030	MPU/DAC/DIR Board AS	BADG-0715-1B	1	1B2595715-1B	N	<B MPP / S MPP>
U0031	Pre-out/Zon-2/RC-232C Board AS	BAAR-0716-1A	1	1B2595716-1A	N	<B MDC>
U0031	Pre-out/Zon-2/RC-232C Board AS	BAAR-0716-1B	1	1B2595716-1B	N	<B MPP / S MPP>
U0032	USB terminal Board AS	BAETC-0718-1A	1	1B2595718-1A	N	<B MDC>
U0032	USB terminal Board AS	BAETC-0718-1B	1	1B2595718-1B	N	<B MPP / S MPP>

CIRCUIT PART NAME	DESCRIPTION	Q'TY	PART NO. (SN)	REMARKS	
[SEMI CONDUCTOR]					
D1002	C-DIODE	DA2J10100	1	223303R2	NSP <B MDC, B MPP>
D1002 or	C-DIODE	1SS352	(1)	223234R2	NSP <B MDC, B MPP>
D1002 or	C-DIODE	1SS355	(1)	223269R2	NSP <B MDC, B MPP>
D1002 or	C-DIODE	MA2J111	(1)	223279R2	NSP <B MDC, B MPP>
D1002 or	C-DIODE	KDS4148U	(1)	223283R2	NSP <B MDC, B MPP>
D1003	C-DIODE	DA2J10100	1	223303R2	NSP <B MDC, B MPP>
D1003 or	C-DIODE	1SS352	(1)	223234R2	NSP <B MDC, B MPP>
D1003 or	C-DIODE	1SS355	(1)	223269R2	NSP <B MDC, B MPP>
D1003 or	C-DIODE	MA2J111	(1)	223279R2	NSP <B MDC, B MPP>
D1003 or	C-DIODE	KDS4148U	(1)	223283R2	NSP <B MDC, B MPP>

D1004	C-DIODE	DA2J10100	1	223303R2	NSP <B MDC, B MPP>
D1004 or	C-DIODE	1SS352	(1)	223234R2	NSP <B MDC, B MPP>
D1004 or	C-DIODE	1SS355	(1)	223269R2	NSP <B MDC, B MPP>
D1004 or	C-DIODE	MA2J111	(1)	223279R2	NSP <B MDC, B MPP>
D1004 or	C-DIODE	KDS4148U	(1)	223283R2	NSP <B MDC, B MPP>
D1005	C-DIODE	DA2J10100	1	223303R2	NSP <B MDC, B MPP>
D1005 or	C-DIODE	1SS352	(1)	223234R2	NSP <B MDC, B MPP>
D1005 or	C-DIODE	1SS355	(1)	223269R2	NSP <B MDC, B MPP>
D1005 or	C-DIODE	MA2J111	(1)	223279R2	NSP <B MDC, B MPP>
D1005 or	C-DIODE	KDS4148U	(1)	223283R2	NSP <B MDC, B MPP>
D131	C-DIODE	DA2J10100	1	223303R2	NSP <B MDC, B MPP>
D131 or	C-DIODE	1SS352	(1)	223234R2	NSP <B MDC, B MPP>
D131 or	C-DIODE	1SS355	(1)	223269R2	NSP <B MDC, B MPP>
D131 or	C-DIODE	MA2J111	(1)	223279R2	NSP <B MDC, B MPP>
D131 or	C-DIODE	KDS4148U	(1)	223283R2	NSP <B MDC, B MPP>
D132	C-DIODE	DA2J10100	1	223303R2	NSP <B MDC, B MPP>
D132 or	C-DIODE	1SS352	(1)	223234R2	NSP <B MDC, B MPP>
D132 or	C-DIODE	1SS355	(1)	223269R2	NSP <B MDC, B MPP>
D132 or	C-DIODE	MA2J111	(1)	223279R2	NSP <B MDC, B MPP>
D132 or	C-DIODE	KDS4148U	(1)	223283R2	NSP <B MDC, B MPP>
D182	C-DIODE	DA2J10100	1	223303R2	NSP
D182 or	C-DIODE	1SS352	(1)	223234R2	NSP
D182 or	C-DIODE	1SS355	(1)	223269R2	NSP
D182 or	C-DIODE	MA2J111	(1)	223279R2	NSP
D182 or	C-DIODE	KDS4148U	(1)	223283R2	NSP
D4801	SPCF D	SIR-34ST3F	1	225456	
D4809	ZENER D	DZ2J062M0L	1	224760620R2	
D4809 or	ZENER D	UDZS6.2B	(1)	224550620R2	
D4810	C-DIODE	DA2J10100	1	223303R2	NSP
D4810 or	C-DIODE	1SS352	(1)	223234R2	NSP
D4810 or	C-DIODE	1SS355	(1)	223269R2	NSP
D4810 or	C-DIODE	MA2J111	(1)	223279R2	NSP
D4810 or	C-DIODE	KDS4148U	(1)	223283R2	NSP
D4811	ZENER D	DZ2J036M0L	1	224760360R2	
D4811 or	ZENER D	UDZS3.6B	(1)	224550360R2	
D4812	C-DIODE	DA2J10100	1	223303R2	NSP
D4812 or	C-DIODE	1SS352	(1)	223234R2	NSP
D4812 or	C-DIODE	1SS355	(1)	223269R2	NSP
D4812 or	C-DIODE	MA2J111	(1)	223279R2	NSP
D4812 or	C-DIODE	KDS4148U	(1)	223283R2	NSP
D4813	ZENER D	DZ2J062M0L	1	224760620R2	
D4813 or	ZENER D	UDZS6.2B	(1)	224550620R2	
D500	C-DIODE	DA2J10100	1	223303R2	NSP
D500 or	C-DIODE	1SS352	(1)	223234R2	NSP
D500 or	C-DIODE	1SS355	(1)	223269R2	NSP
D500 or	C-DIODE	MA2J111	(1)	223279R2	NSP
D500 or	C-DIODE	KDS4148U	(1)	223283R2	NSP
D501	C-DIODE	DA2J10100	1	223303R2	NSP
D501 or	C-DIODE	1SS352	(1)	223234R2	NSP

D501 or	C-DIODE	1SS355	(1)	223269R2	NSP
D501 or	C-DIODE	MA2J111	(1)	223279R2	NSP
D501 or	C-DIODE	KDS4148U	(1)	223283R2	NSP
D701	C-DIODE	DA2J10100	1	223303R2	NSP
D701 or	C-DIODE	1SS352	(1)	223234R2	NSP
D701 or	C-DIODE	1SS355	(1)	223269R2	NSP
D701 or	C-DIODE	MA2J111	(1)	223279R2	NSP
D701 or	C-DIODE	KDS4148U	(1)	223283R2	NSP
D702	C-DIODE	DA2J10100	1	223303R2	NSP
D702 or	C-DIODE	1SS352	(1)	223234R2	NSP
D702 or	C-DIODE	1SS355	(1)	223269R2	NSP
D702 or	C-DIODE	MA2J111	(1)	223279R2	NSP
D702 or	C-DIODE	KDS4148U	(1)	223283R2	NSP
Q131	IC	TC74HCU04AF	1	222740046R2TO	<B MDC, B MPP>
Q131 or	IC	74HCU04F	(1)	222740046R2	<B MDC, B MPP>
Q181	TR	KRC105S	1	2217290R2	
Q181 or	TR	RN1405	(1)	2214500R2	
Q301	IC	PCM9211PTR	1	22242703R2	<B MDC, B MPP>
Q400	IC	PCM1789PWR	1	22242645R2	<B MDC, B MPP>
Q401	IC	NJM4580M-D	1	22241448R2	<B MDC, B MPP>
Q450	IC	PCM1754DBQR	1	22242598R2	<B MDC, B MPP>
Q451	IC	NJM4580M-D	1	22241448R2	<B MDC, B MPP>
Q4810	IC	M61540FP	1	22242497R2	
Q4811	TR	RN1441	1	2215410R2	
Q4812	TR	RN1441	1	2215410R2	
Q4813	TR	RN1441	1	2215410R2	
Q4814	TR	RN1441	1	2215410R2	
Q4815	IC	NJM4580M-D	1	22241448R2	
Q4816	TR	RN1441	1	2215410R2	
Q4817	TR	RN1441	1	2215410R2	
Q500	TR	KRA107S	1	2216350R2	
Q500 or	TR	RN2407(TE85L_F)	(1)	2216360R2	
Q501	TR	KRC102S	1	2216190R2	
Q501 or	TR	RN1402	(1)	2214470R2	
Q502	TR	KRA107S	1	2216350R2	
Q502 or	TR	RN2407(TE85L_F)	(1)	2216360R2	
Q503	TR	KRC102S	1	2216190R2	
Q503 or	TR	RN1402	(1)	2214470R2	
Q504	IC	MPD70F3746GJ-GAE-AX	1	222W0079R304450	
Q505	IC	R1EX25064ASA00A	1	22242581R2	
Q506	TR	KRC104S	1	2216210R2	
Q506 or	TR	RN1404	(1)	2214490R2	
Q702	IC	S-812C33AUA-C2N	1	22242222R2	
Q703	IC	S-812C56AUA-C3K	1	22242207R2	
Q731	IC	TC7SZU04FU	1	22242512R2TO	<B MDC, B MPP>
Q732	IC	TC7WH241FU(TE12L_F)	1	22242076R2TO	<B MDC, B MPP>
Q741	IC	XC6220B501PR	1	22242692R2	<B MDC, B MPP>
Q742	IC	BU33TD3WG-TR	1	22242715R2	
Q751	TR	KRC104S	1	2216210R2	

Q751 or	TR	RN1404	(1)	2214490R2	
Q752	TR	KRA102S	1	2216220R2	
Q752 or	TR	RN2402	(1)	2214530R2	
Q771	TR	KRC104S	1	2216210R2	
Q771 or	TR	RN1404	(1)	2214490R2	
Q772	TR	KRA102S	1	2216220R2	
Q772 or	TR	RN2402	(1)	2214530R2	
[CHASSIS SCREW]					
E1001	RETAINER	(USB)	1	27142226	<B MDC, B MPP>
[TRANS COIL]					
L1002	CORE	BLM18PG121SN1D	1	2350006R1	<B MDC, B MPP>
L1003	CORE	BLM18PG121SN1D	1	2350006R1	<B MDC, B MPP>
L1004	CORE	BLM18PG121SN1D	1	2350006R1	<B MDC, B MPP>
L130	CHOKE COIL	BLM21PG221SN1	1	230949R2	
L131	CHOKE COIL	LBC2518T2R2M	1	231364M022R2	<B MDC, B MPP>
L132	CHOKE COIL	LBC2518T2R2M	1	231364M022R2	<B MDC, B MPP>
L133	CHOKE COIL	LBC2518T470M	1	231364M470R2	<B MDC, B MPP>
L134	CHOKE COIL	LBC2518T470M	1	231364M470R2	<B MDC, B MPP>
L135	EMIFIL	BK1608HS102-T	1	230955R2	<B MDC, B MPP>
L136	EMIFIL	BK1608HS102-T	1	230955R2	<B MDC, B MPP>
L301	EMIFIL	BK1608LM182-T	1	230958R1	<B MDC, B MPP>
L302	EMIFIL	BK1608LM182-T	1	230958R1	<B MDC, B MPP>
L303	CHOKE COIL	LBC2518T4R7M	1	231364M047R2	<B MDC, B MPP>
L304	CHOKE COIL	LBC2518T4R7M	1	231364M047R2	<B MDC, B MPP>
L305	CHOKE COIL	LBC2518T4R7M	1	231364M047R2	<B MDC, B MPP>
L306	EMIFIL	BK1608LM182-T	1	230958R1	<B MDC, B MPP>
L400	CHOKE COIL	LBC2518T4R7M	1	231364M047R2	<B MDC, B MPP>
L401	CHOKE COIL	LBC2518T4R7M	1	231364M047R2	<B MDC, B MPP>
L450	CHOKE COIL	LBC2518T4R7M	1	231364M047R2	<B MDC, B MPP>
L500	CORE	BLM18PG181SN1D	1	2350005R1	
L731	CORE	BLM18PG181SN1D	1	2350005R1	<B MDC, B MPP>
L732	CORE	MMZ1608Y601BT	1	2350004R1	<B MDC, B MPP>
L733	CORE	MMZ1608Y601BT	1	2350004R1	<B MDC, B MPP>
L734	CORE	MMZ1608Y601BT	1	2350004R1	<B MDC, B MPP>
L741	CORE	BLM18PG181SN1D	1	2350005R1	<B MDC, B MPP>
L742	CHOKE COIL	BLM21PG221SN1	1	230949R2	
L743	CORE	BLM18PG181SN1D	1	2350005R1	
L746	CORE	BLM18PG181SN1D	1	2350005R1	
L747	C-CARBON R	RN72K1J-000JE	1	435030004R1	NSP
L748	C-CARBON R	RN72K1J-000JE	1	435030004R1	NSP
L801	CORE	BLM18PG181SN1D	1	2350005R1	
L802	C-CARBON R	RN72K1J-000JE	1	435030004R1	NSP
X301	CRYSTAL	HC-49US24.576MHz	1	3010490T	<B MDC, B MPP>
X500	CERA LOCK	CSTCR5M00G53-B0	1	3010356R2	NSP
X731	CRYSTAL	HC-49SMD11.2896MHz	1	3010480R2	<B MDC, B MPP>
[CAPACITOR]					
C1024	C-CERA C	CC725CH1H-102J1	1	342101024R1	NSP <B MDC, B MPP>
C1025	C-CERA C	CK725F1E-104Z1	1	332161040R1	NSP <B MDC, B MPP>
C1031	C-CERA C	CC725CH1H-102J1	1	342101024R1	NSP <B MDC, B MPP>

C1032	C-CERA C	CK725F1E-104Z1	1	332161040R1	NSP <B MDC, B MPP>
C130	C-CERA C	CK725F1E-104Z1	1	332161040R1	NSP <B MDC, B MPP>
C131	C-CERA C	CC725CH1H-101J1	1	342101014R1	NSP <B MDC, B MPP>
C132	C-CERA C	CC725CH1H-101J1	1	342101014R1	NSP <B MDC, B MPP>
C133	C-CERA C	CK725B1C-104K1	1	332121045R1	NSP <B MDC, B MPP>
C134	C-CERA C	CK725B1C-104K1	1	332121045R1	NSP <B MDC, B MPP>
C135	C-CERA C	CC725CH1H-080D1	1	342100802R1	NSP <B MDC, B MPP>
C136	C-CERA C	CC725CH1H-080D1	1	342100802R1	NSP <B MDC, B MPP>
C139	UTSP C	CE04W10V-220M(UTSP)	1	397532217T	<B MDC, B MPP>
C140	C-CERA C	CK725F1E-104Z1	1	332161040R1	NSP <B MDC, B MPP>
C141	C-CERA C	CK725F1E-104Z1	1	332161040R1	NSP <B MDC, B MPP>
C142	C-CERA C	CK725F1E-104Z1	1	332161040R1	NSP <B MDC, B MPP>
C143	C-CERA C	CC725CH1H-330J1	1	342103304R1	NSP <B MDC, B MPP>
C144	C-CERA C	CC725CH1H-330J1	1	342103304R1	NSP <B MDC, B MPP>
C145	UTSP C	CE04W10V-220M(UTSP)	1	397532217T	<B MDC, B MPP>
C151	C-CERA C	CK725F1E-104Z1	1	332161040R1	NSP
C305	C-CERA C	CK725F1E-104Z1	1	332161040R1	NSP <B MDC, B MPP>
C306	UTSP C	CE04W10V-470M(UTSP)	1	397534717T	<B MDC, B MPP>
C307	C-CERA C	CK725F1E-104Z1	1	332161040R1	NSP <B MDC, B MPP>
C308	C-CERA C	CC725CH1H-330J1	1	342103304R1	NSP <B MDC, B MPP>
C309	C-CERA C	CC725CH1H-330J1	1	342103304R1	NSP <B MDC, B MPP>
C310	C-CERA C	CC725CH1H-330J1	1	342103304R1	NSP <B MDC, B MPP>
C311	C-CERA C	CC725CH1H-330J1	1	342103304R1	NSP <B MDC, B MPP>
C312	C-CERA C	CC725CH1H-221J1	1	342102214R1	NSP <B MDC, B MPP>
C313	C-CERA C	CK725F1E-104Z1	1	332161040R1	NSP <B MDC, B MPP>
C314	UTSP C	CE04W10V-470M(UTSP)	1	397534717T	<B MDC, B MPP>
C315	C-CERA C	CK725B1H-472K1	1	332104725R1	NSP <B MDC, B MPP>
C316	C-CERA C	CK725B1H-473K1	1	332104735R1	NSP <B MDC, B MPP>
C317	C-CERA C	CK725F1E-104Z1	1	332161040R1	NSP <B MDC, B MPP>
C318	UTSP C	CE04W10V-470M(UTSP)	1	397534717T	<B MDC, B MPP>
C319	UTSJ C	CE04W25V-47M(UTSJ)	1	398054707AT	<B MDC, B MPP>
C320	C-CERA C	CK725B1H-223K1	1	332102235R1	NSP <B MDC, B MPP>
C321	C-CERA C	CC725CH1H-180J1	1	342101804R1	NSP <B MDC, B MPP>
C322	C-CERA C	CC725CH1H-180J1	1	342101804R1	NSP <B MDC, B MPP>
C400	C-CERA C	CC725CH1H-221J1	1	342102214R1	NSP <B MDC, B MPP>
C401	UTSP C	CE04W10V-470M(UTSP)	1	397534717T	<B MDC, B MPP>
C402	C-CERA C	CK725F1E-104Z1	1	332161040R1	NSP <B MDC, B MPP>
C403	UTSP C	CE04W10V-470M(UTSP)	1	397534717T	<B MDC, B MPP>
C404	C-CERA C	CK725F1E-104Z1	1	332161040R1	NSP <B MDC, B MPP>
C405	C-CERA C	CK725F1E-104Z1	1	332161040R1	NSP <B MDC, B MPP>
C406	UTSJ C	CE04W25V-47M(UTSJ)	1	398054707AT	<B MDC, B MPP>
C407	UPZ C	2AUPZTF101JE	1	376331014T	<B MDC, B MPP>
C408	UPZ C	2AUPZTF471JE	1	376334714T	<B MDC, B MPP>
C409	UPZ C	2AUPZTF101JE	1	376331014T	<B MDC, B MPP>
C410	UPZ C	2AUPZTF101JE	1	376331014T	<B MDC, B MPP>
C411	UPZ C	2AUPZTF471JE	1	376334714T	<B MDC, B MPP>
C412	UPZ C	2AUPZTF101JE	1	376331014T	<B MDC, B MPP>
C450	C-CERA C	CK732B16V-106K	1	332071065R2	NSP <B MDC, B MPP>
C451	C-CERA C	CK725F1E-104Z1	1	332161040R1	NSP <B MDC, B MPP>

C452	C-CERA C	CK725F1E-104Z1	1	332161040R1	NSP	<B MDC, B MPP>
C453	C-CERA C	CK732B16V-106K	1	332071065R2	NSP	<B MDC, B MPP>
C454	C-CERA C	CC725CH1H-221J1	1	342102214R1	NSP	<B MDC, B MPP>
C455	UTSP C	CE04W50V-10M(UTSP)	1	397581007T		<B MDC, B MPP>
C456	C-CERA C	CC725CH1H-152J1	1	342101524R1	NSP	<B MDC, B MPP>
C457	C-CERA C	CC725CH1H-152J1	1	342101524R1	NSP	<B MDC, B MPP>
C458	UTSP C	CE04W50V-10M(UTSP)	1	397581007T		<B MDC, B MPP>
C459	C-CERA C	CC725CH1H-221J1	1	342102214R1	NSP	<B MDC, B MPP>
C4807	UTSP C	CE04W10V-100M(UTSP)	1	397531017T		
C4808	C-CERA C	CK725B1H-102K1	1	332101025R1	NSP	
C4809	C-CERA C	CK725B1H-102K1	1	332101025R1	NSP	
C4810	UTSP C	CE04W25V-47M(UTSP)	1	397554707T		
C4811	UTSP C	CE04W25V-47M(UTSP)	1	397554707T		
C4814	TF C	ECQ-V50V-333J	1	374723334T		
C4815	TF C	ECQ-V50V-333J	1	374723334T		
C4816	TF C	ECQ-V50V-224J	1	374722244T		
C4817	TF C	ECQ-V50V-473J	1	374724734T		
C4818	MKT C	B32529C0102J289	1	376491024T		
C4819	MKT C	B32529C0102J289	1	376491024T		
C4820	UTSP C	CE04W25V-47M(UTSP)	1	397554707T		
C4821	C-CERA C	CK725B1H-102K1	1	332101025R1	NSP	
C4822	UTSP C	CE04W25V-47M(UTSP)	1	397554707T		
C4823	TF C	ECQ-V50V-224J	1	374722244T		
C4824	TF C	ECQ-V50V-473J	1	374724734T		
C4825	UTSP C	CE04W16V-470M(UTSP)	1	397544717T		
C4826	MKT C	B32529C0102J289	1	376491024T		
C4827	MKT C	B32529C0102J289	1	376491024T		
C4828	UTSP C	CE04W25V-220M(UTSP)	1	397552217T		
C4829	UPZ C	2AUPZTF101JE	1	376331014T		
C4830	MKT C	B32529C0222J289	1	376492224T		
C4830 or	UMXR C	1HUMXRTE222JE	(1)	376522224T		
C4831	C-CERA C	CK725B1H-102K1	1	332101025R1	NSP	
C4832	UTSP C	CE04W16V-470M(UTSP)	1	397544717T		
C4833	UTSP C	CE04W25V-220M(UTSP)	1	397552217T		
C4834	UTSP C	CE04W50V-4.7M(UTSP)	1	397580477T		
C4835	UTSP C	CE04W25V-220M(UTSP)	1	397552217T		
C4836	MKT C	B32529C0102J289	1	376491024T		
C4837	C-CERA C	CK725B1H-102K1	1	332101025R1	NSP	
C498	UTSP C	CE04W25V-220M(UTSP)	1	397552217T		<B MDC, B MPP>
C499	UTSP C	CE04W25V-220M(UTSP)	1	397552217T		<B MDC, B MPP>
C500	C-CERA C	CK725F1E-104Z1	1	332161040R1	NSP	
C501	C-CERA C	CC725CH1H-101J1	1	342101014R1	NSP	
C502	C-CERA C	CC725CH1H-101J1	1	342101014R1	NSP	
C503	C-CERA C	CC725CH1H-101J1	1	342101014R1	NSP	
C504	C-CERA C	CC725CH1H-101J1	1	342101014R1	NSP	
C506	C-CERA C	CC725CH1H-101J1	1	342101014R1	NSP	
C507	C-CERA C	CC725CH1H-101J1	1	342101014R1	NSP	
C508	C-CERA C	CK725B1H-102K1	1	332101025R1	NSP	
C509	C-CERA C	CK725B1H-102K1	1	332101025R1	NSP	

C510	C-CERA C	CK725F1E-104Z1	1	332161040R1	NSP
C511	C-CERA C	CK725B1H-102K1	1	332101025R1	NSP
C512	C-CERA C	CK725B1H-102K1	1	332101025R1	NSP
C513	C-CERA C	CK725B1H-102K1	1	332101025R1	NSP
C514	C-CERA C	CK725B1H-102K1	1	332101025R1	NSP
C516	C-CERA C	CK725B1H-102K1	1	332101025R1	NSP
C517	UTSP C	CE04W50V-4.7M(UTSP)	1	397580477T	
C518	C-CERA C	CK732B16V-106K	1	332071065R2	NSP
C519	C-CERA C	CK725F1E-104Z1	1	332161040R1	NSP
C520	C-CERA C	CK725F1E-104Z1	1	332161040R1	NSP
C521	C-CERA C	CK725F1E-104Z1	1	332161040R1	NSP
C522	C-CERA C	CK725F1E-104Z1	1	332161040R1	NSP
C523	UTSP C	CE04W50V-4.7M(UTSP)	1	397580477T	
C524	C-CERA C	CK725F1E-104Z1	1	332161040R1	NSP
C525	C-CERA C	CK725F1E-104Z1	1	332161040R1	NSP
C526	C-CERA C	CK725B1H-102K1	1	332101025R1	NSP
C527	C-CERA C	CK725B1H-102K1	1	332101025R1	NSP
C528	C-CERA C	CC725CH1H-101J1	1	342101014R1	NSP
C613	C-CERA C	CK732B1C-474K	1	337394745R1	NSP
C701	C-CERA C	CK725F1E-104Z1	1	332161040R1	NSP
C705	C-CERA C	CK732B16V-106K	1	332071065R2	NSP
C706	UTSP C	CE04W25V-47M(UTSP)	1	397554707T	
C707	UTSP C	CE04W10V-100M(UTSP)	1	397531017T	
C708	UTSP C	CE04W10V-100M(UTSP)	1	397531017T	
C709	C-CERA C	CK725F1E-104Z1	1	332161040R1	NSP
C731	C-CERA C	CK725F1A-105Z1	1	332181050R1	NSP <B MDC, B MPP>
C732	C-CERA C	CK732B16V-106K	1	332071065R2	NSP <B MDC, B MPP>
C733	C-CERA C	CK725F1A-105Z1	1	332181050R1	NSP <B MDC, B MPP>
C734	C-CERA C	CC725CH1H-150J1	1	342101504R1	NSP <B MDC, B MPP>
C735	C-CERA C	CC725CH1H-120J1	1	342101204R1	NSP <B MDC, B MPP>
C736	C-CERA C	CK725F1A-105Z1	1	332181050R1	NSP <B MDC, B MPP>
C741	C-CERA C	CK732B16V-106K	1	332071065R2	NSP <B MDC, B MPP>
C742	C-CERA C	CK732B16V-106K	1	332071065R2	NSP <B MDC, B MPP>
C743	C-CERA C	CK732B16V-106K	1	332071065R2	NSP <B MDC, B MPP>
C744	C-CERA C	CK732B16V-106K	1	332071065R2	NSP
C745	C-CERA C	CK725F1E-104Z1	1	332161040R1	NSP
C746	C-CERA C	CK732B16V-106K	1	332071065R2	NSP
C751	C-CERA C	CK725B1A-105K1	1	332131055R1	NSP
C753	UTSP C	CE04W10V-470M(UTSP)	1	397534717T	
C771	C-CERA C	CK725B1A-105K1	1	332131055R1	NSP
C772	C-CERA C	CK732B1C-474K	1	337394745R1	NSP
C800	C-CERA C	CK725F1A-105Z1	1	332181050R1	NSP <B MDC, B MPP>
C801	C-CERA C	CK725B1H-103K1	1	332101035R1	NSP <B MDC, B MPP>
C802	C-CERA C	CK725F1E-104Z1	1	332161040R1	NSP
C804	C-CERA C	CK725F1E-104Z1	1	332161040R1	NSP
C805	C-CERA C	CK725F1E-104Z1	1	332161040R1	NSP
[RESISTOR]					
R130	C-CARBON R	RN72K1J-331JE	1	435033314R1	NSP
R131	C-CARBON R	RN72K1J-750JE	1	435037504R1	NSP <B MDC, B MPP>

R132	C-CARBON R	RN72K1J-750JE	1	435037504R1	NSP <B MDC, B MPP>
R133	C-CARBON R	RN72K1J-100JE	1	435031004R1	NSP <B MDC, B MPP>
R134	C-CARBON R	RN72K1J-100JE	1	435031004R1	NSP <B MDC, B MPP>
R137	C-CARBON R	RN72K1J-103JE	1	435031034R1	NSP <B MDC, B MPP>
R138	C-CARBON R	RN72K1J-103JE	1	435031034R1	NSP <B MDC, B MPP>
R139	C-CARBON R	RN72K1J-823JE	1	435038234R1	NSP <B MDC, B MPP>
R140	C-CARBON R	RN72K1J-823JE	1	435038234R1	NSP <B MDC, B MPP>
R141	C-CARBON R	RN72K1J-470JE	1	435034704R1	NSP <B MDC, B MPP>
R142	C-CARBON R	RN72K1J-470JE	1	435034704R1	NSP <B MDC, B MPP>
R182	METAL R	RNU1/2WCJ-1	1	453530104T	
R301	C-CARBON R	RN72K1J-470JE	1	435034704R1	NSP <B MDC, B MPP>
R302	C-CARBON R	RN72K1J-151JE	1	435031514R1	NSP <B MDC, B MPP>
R303	C-CARBON R	RN72K1J-221JE	1	435032214R1	NSP <B MDC, B MPP>
R312	C-CARBON R	RN72K1J-470JE	1	435034704R1	NSP <B MDC, B MPP>
R313	C-CARBON R	RN72K1J-470JE	1	435034704R1	NSP <B MDC, B MPP>
R314	C-CARBON R	RN72K1J-151JE	1	435031514R1	NSP <B MDC, B MPP>
R315	C-CARBON R	RN72K1J-750JE	1	435037504R1	NSP <B MDC, B MPP>
R316	C-CARBON R	RN72K1J-470JE	1	435034704R1	NSP <B MDC, B MPP>
R317	C-CARBON R	RN72K1J-331JE	1	435033314R1	NSP <B MDC, B MPP>
R321	C-CARBON R	RN72K1J-331JE	1	435033314R1	NSP <B MDC, B MPP>
R322	C-CARBON R	RN72K1J-331JE	1	435033314R1	NSP <B MDC, B MPP>
R323	C-CARBON R	RN72K1J-331JE	1	435033314R1	NSP <B MDC, B MPP>
R324	C-CARBON R	RN72K1J-331JE	1	435033314R1	NSP <B MDC, B MPP>
R325	C-CARBON R	RN72K1J-331JE	1	435033314R1	NSP <B MDC, B MPP>
R326	C-CARBON R	RN72K1J-331JE	1	435033314R1	NSP <B MDC, B MPP>
R327	C-CARBON R	RN72K1J-221JE	1	435032214R1	NSP <B MDC, B MPP>
R331	C-CARBON R	RN72K1J-221JE	1	435032214R1	NSP <B MDC, B MPP>
R332	C-CARBON R	RN72K1J-681JE	1	435036814R1	NSP <B MDC, B MPP>
R333	C-CARBON R	RN72K1J-560JE	1	435035604R1	NSP <B MDC, B MPP>
R334	C-CARBON R	RN72K1J-560JE	1	435035604R1	NSP <B MDC, B MPP>
R400	C-CARBON R	RN72K1J-331JE	1	435033314R1	NSP <B MDC, B MPP>
R401	C-CARBON R	RN72K1J-221JE	1	435032214R1	NSP <B MDC, B MPP>
R402	C-CARBON R	RN72K1J-331JE	1	435033314R1	NSP <B MDC, B MPP>
R403	C-CARBON R	RN72K1J-331JE	1	435033314R1	NSP <B MDC, B MPP>
R404	C-CARBON R	RN72K1J-331JE	1	435033314R1	NSP <B MDC, B MPP>
R405	C-CARBON R	RN72K1J-221JE	1	435032214R1	NSP <B MDC, B MPP>
R406	C-CARBON R	RN72K1J-331JE	1	435033314R1	NSP <B MDC, B MPP>
R407	C-CARBON R	RN72K1J-331JE	1	435033314R1	NSP <B MDC, B MPP>
R408	C-CARBON R	RN72K1J-000JE	1	435030004R1	NSP <B MDC, B MPP>
R409	C-CARBON R	RN72K1J-221JE	1	435032214R1	NSP <B MDC, B MPP>
R410	C-CARBON R	RN72K1J-472JE	1	435034724R1	NSP <B MDC, B MPP>
R411	C-CARBON R	RN72K1J-223JE	1	435032234R1	NSP <B MDC, B MPP>
R412	C-CARBON R	RN72K1J-274JE	1	435032744R1	NSP <B MDC, B MPP>
R413	C-CARBON R	RN72K1J-153JE	1	435031534R1	NSP <B MDC, B MPP>
R414	C-CARBON R	RN72K1J-182JE	1	435031824R1	NSP <B MDC, B MPP>
R415	C-CARBON R	RN72K1J-153JE	1	435031534R1	NSP <B MDC, B MPP>
R416	C-CARBON R	RN72K1J-182JE	1	435031824R1	NSP <B MDC, B MPP>
R417	C-CARBON R	RN72K1J-223JE	1	435032234R1	NSP <B MDC, B MPP>
R418	C-CARBON R	RN72K1J-274JE	1	435032744R1	NSP <B MDC, B MPP>

R419	C-CARBON R	RN72K1J-223JE	1	435032234R1	NSP <B MDC, B MPP>
R420	C-CARBON R	RN72K1J-274JE	1	435032744R1	NSP <B MDC, B MPP>
R421	C-CARBON R	RN72K1J-153JE	1	435031534R1	NSP <B MDC, B MPP>
R422	C-CARBON R	RN72K1J-182JE	1	435031824R1	NSP <B MDC, B MPP>
R423	C-CARBON R	RN72K1J-153JE	1	435031534R1	NSP <B MDC, B MPP>
R424	C-CARBON R	RN72K1J-182JE	1	435031824R1	NSP <B MDC, B MPP>
R425	C-CARBON R	RN72K1J-274JE	1	435032744R1	NSP <B MDC, B MPP>
R426	C-CARBON R	RN72K1J-223JE	1	435032234R1	NSP <B MDC, B MPP>
R450	C-CARBON R	RN72K1J-331JE	1	435033314R1	NSP <B MDC, B MPP>
R451	C-CARBON R	RN72K1J-151JE	1	435031514R1	NSP <B MDC, B MPP>
R452	C-CARBON R	RN72K1J-151JE	1	435031514R1	NSP <B MDC, B MPP>
R453	C-CARBON R	RN72K1J-151JE	1	435031514R1	NSP <B MDC, B MPP>
R454	C-CARBON R	RN72K1J-151JE	1	435031514R1	NSP <B MDC, B MPP>
R455	C-CARBON R	RN72K1J-472JE	1	435034724R1	NSP <B MDC, B MPP>
R456	C-CARBON R	RN72K1J-332JE	1	435033324R1	NSP <B MDC, B MPP>
R457	C-CARBON R	RN72K1J-822JE	1	435038224R1	NSP <B MDC, B MPP>
R458	C-CARBON R	RN72K1J-000JE	1	435030004R1	NSP <B MDC, B MPP>
R459	C-CARBON R	RN72K1J-104JE	1	435031044R1	NSP <B MDC, B MPP>
R460	C-CARBON R	RN72K1J-104JE	1	435031044R1	NSP <B MDC, B MPP>
R461	C-CARBON R	RN72K1J-000JE	1	435030004R1	NSP <B MDC, B MPP>
R462	C-CARBON R	RN72K1J-332JE	1	435033324R1	NSP <B MDC, B MPP>
R463	C-CARBON R	RN72K1J-822JE	1	435038224R1	NSP <B MDC, B MPP>
R464	C-CARBON R	RN72K1J-472JE	1	435034724R1	NSP <B MDC, B MPP>
R4808	C-CARBON R	RN72K1J-101JE	1	435031014R1	NSP
R4809	C-CARBON R	RN72K1J-102JE	1	435031024R1	NSP
R4815	C-CARBON R	RN72K1J-474JE	1	435034744R1	NSP
R4816	C-CARBON R	RN72K1J-474JE	1	435034744R1	NSP
R4817	C-CARBON R	RN72K1J-224JE	1	435032244R1	NSP
R4818	C-CARBON R	RN72K1J-224JE	1	435032244R1	NSP
R4821	C-CARBON R	RN72K1J-474JE	1	435034744R1	NSP
R4822	C-CARBON R	RN72K1J-474JE	1	435034744R1	NSP
R4829	METAL O R	RS1WBJ-100	1	443621014T	
R4831	C-CARBON R	RN72K1J-000JE	1	435030004R1	NSP <B MDC, B MPP>
R4832	C-CARBON R	RN72K1J-000JE	1	435030004R1	NSP <B MDC, B MPP>
R4833	C-CARBON R	RN72K1J-000JE	1	435030004R1	NSP <B MDC, B MPP>
R4834	C-CARBON R	RN72K1J-000JE	1	435030004R1	NSP <B MDC, B MPP>
R4838	C-CARBON R	RN72K1J-474JE	1	435034744R1	NSP
R4840	C-CARBON R	RN72K1J-471JE	1	435034714R1	NSP
R4841	C-CARBON R	RN72K1J-474JE	1	435034744R1	NSP
R4842	C-CARBON R	RN72K1J-471JE	1	435034714R1	NSP
R4844	C-CARBON R	RN72K1J-474JE	1	435034744R1	NSP
R4845	C-CARBON R	RN72K1J-472JE	1	435034724R1	NSP
R4846	C-CARBON R	RN72K1J-474JE	1	435034744R1	NSP
R4847	C-CARBON R	RN72K1J-222JE	1	435032224R1	NSP
R4848	C-CARBON R	RN72K1J-101JE	1	435031014R1	NSP
R4849	C-CARBON R	RN72K1J-101JE	1	435031014R1	NSP
R4850	C-CARBON R	RN72K1J-224JE	1	435032244R1	NSP
R4851	C-CARBON R	RN72K1J-224JE	1	435032244R1	NSP
R4852	C-CARBON R	RN72K1J-224JE	1	435032244R1	NSP

R4853	C-CARBON R	RN72K1J-101JE	1	435031014R1	NSP
R4854	C-CARBON R	RN72K1J-103JE	1	435031034R1	NSP
R4855	C-CARBON R	RN72K1J-224JE	1	435032244R1	NSP
R4856	C-CARBON R	RN72K1J-103JE	1	435031034R1	NSP
R4857	C-CARBON R	RN72K1J-222JE	1	435032224R1	NSP
R4858	C-CARBON R	RN72K1J-101JE	1	435031014R1	NSP
R4859	C-CARBON R	RN72K1J-101JE	1	435031014R1	NSP
R4860	C-CARBON R	RN72K1J-224JE	1	435032244R1	NSP
R4861	C-CARBON R	RN72K1J-472JE	1	435034724R1	NSP
R4862	C-CARBON R	RN72K1J-103JE	1	435031034R1	NSP
R4863	C-CARBON R	RN72K1J-821JE	1	435038214R1	NSP
R4864	C-CARBON R	RN72K1J-101JE	1	435031014R1	NSP
R4865	C-CARBON R	RN72K1J-224JE	1	435032244R1	NSP
R4866	C-CARBON R	RN72K1J-223JE	1	435032234R1	NSP
R4867	C-CARBON R	RN72K1J-223JE	1	435032234R1	NSP
R4868	METAL O R	RS1WBJ-68	1	443626804T	
R4869	METAL O R	RS1WBJ-100	1	443621014T	
R4870	C-CARBON R	RN72K1J-473JE	1	435034734R1	NSP
R4871	C-CARBON R	RN72K1J-473JE	1	435034734R1	NSP
R4872	C-CARBON R	RN72K1J-223JE	1	435032234R1	NSP
R4873	C-CARBON R	RN72K1J-271JE	1	435032714R1	NSP
R4874	C-CARBON R	RN72K1J-101JE	1	435031014R1	NSP
R4875	C-CARBON R	RN72K1J-101JE	1	435031014R1	NSP
R4876	C-CARBON R	RN72K1J-224JE	1	435032244R1	NSP
R4877	METAL O R	RS1WBJ-68	1	443626804T	
R4878	METAL O R	RS1WBJ-100	1	443621014T	
R4889	C-CARBON R	RN72K1J-821JE	1	435038214R1	NSP
R4890	NF CARBON R	R25J-22	1	415472204T	
R4891	NF CARBON R	R25J-22	1	415472204T	
R498	METAL O R	RS1/2WBJ-22	1	443522204T	<B MDC, B MPP>
R499	METAL O R	RS1/2WBJ-22	1	443522204T	<B MDC, B MPP>
R500	C-CARBON R	RN72K1J-101JE	1	435031014R1	NSP
R501	C-CARBON R	RN72K1J-101JE	1	435031014R1	NSP
R502	C-CARBON R	RN72K1J-221JE	1	435032214R1	NSP
R503	C-CARBON R	RN72K1J-470JE	1	435034704R1	NSP
R504	C-CARBON R	RN72K1J-221JE	1	435032214R1	NSP
R505	C-CARBON R	RN72K1J-470JE	1	435034704R1	NSP <B MDC, B MPP>
R506	C-CARBON R	RN72K1J-470JE	1	435034704R1	NSP <B MDC, B MPP>
R507	C-CARBON R	RN72K1J-221JE	1	435032214R1	NSP
R508	C-CARBON R	RN72K1J-103JE	1	435031034R1	NSP
R509	C-CARBON R	RN72K1J-103JE	1	435031034R1	NSP
R510	C-CARBON R	RN72K1J-103JE	1	435031034R1	NSP
R511	C-CARBON R	RN72K1J-103JE	1	435031034R1	NSP
R512	C-CARBON R	RN72K1J-103JE	1	435031034R1	NSP
R513	C-CARBON R	RN72K1J-103JE	1	435031034R1	NSP
R515	C-CARBON R	RN72K1J-103JE	1	435031034R1	NSP
R516	C-CARBON R	RN72K1J-103JE	1	435031034R1	NSP
R517	C-CARBON R	RN72K1J-470JE	1	435034704R1	NSP
R518	C-CARBON R	RN72K1J-102JE	1	435031024R1	NSP

R519	C-CARBON R	RN72K1J-102JE	1	435031024R1	NSP
R520	C-CARBON R	RN72K1J-102JE	1	435031024R1	NSP
R521	C-CARBON R	RN72K1J-470JE	1	435034704R1	NSP
R522	C-CARBON R	RN72K1J-470JE	1	435034704R1	NSP
R523	C-CARBON R	RN72K1J-470JE	1	435034704R1	NSP
R524	C-CARBON R	RN72K1J-000JE	1	435030004R1	NSP
R525	C-CARBON R	RN72K1J-470JE	1	435034704R1	NSP
R527	C-CARBON R	RN72K1J-470JE	1	435034704R1	NSP
R528	C-CARBON R	RN72K1J-221JE	1	435032214R1	NSP
R529	C-CARBON R	RN72K1J-221JE	1	435032214R1	NSP
R530	C-CARBON R	RN72K1J-470JE	1	435034704R1	NSP
R532	C-CARBON R	RN72K1J-221JE	1	435032214R1	NSP
R533	C-CARBON R	RN72K1J-103JE	1	435031034R1	NSP
R534	C-CARBON R	RN72K1J-470JE	1	435034704R1	NSP
R535	C-CARBON R	RN72K1J-103JE	1	435031034R1	NSP
R536	C-CARBON R	RN72K1J-470JE	1	435034704R1	NSP
R537	C-CARBON R	RN72K1J-470JE	1	435034704R1	NSP
R538	C-CARBON R	RN72K1J-103JE	1	435031034R1	NSP
R539	C-CARBON R	RN72K1J-103JE	1	435031034R1	NSP
R540	C-CARBON R	RN72K1J-470JE	1	435034704R1	NSP
R542	C-CARBON R	RN72K1J-470JE	1	435034704R1	NSP
R544	C-CARBON R	RN72K1J-470JE	1	435034704R1	NSP <B MDC, B MPP>
R546	C-CARBON R	RN72K1J-470JE	1	435034704R1	NSP
R548	C-CARBON R	RN72K1J-470JE	1	435034704R1	NSP
R549	C-CARBON R	RN72K1J-102JE	1	435031024R1	NSP
R551	C-CARBON R	RN72K1J-102JE	1	435031024R1	NSP
R552	C-CARBON R	RN72K1J-103JE	1	435031034R1	NSP
R553	C-CARBON R	RN72K1J-470JE	1	435034704R1	NSP
R554	C-CARBON R	RN72K1J-470JE	1	435034704R1	NSP
R555	C-CARBON R	RN72K1J-103JE	1	435031034R1	NSP
R556	C-CARBON R	RN72K1J-470JE	1	435034704R1	NSP
R557	C-CARBON R	RN72K1J-470JE	1	435034704R1	NSP
R558	C-CARBON R	RN72K1J-103JE	1	435031034R1	NSP
R559	C-CARBON R	RN72K1J-470JE	1	435034704R1	NSP
R561	C-CARBON R	RN72K1J-103JE	1	435031034R1	NSP
R562	C-CARBON R	RN72K1J-103JE	1	435031034R1	NSP
R563	C-CARBON R	RN72K1J-470JE	1	435034704R1	NSP
R566	C-CARBON R	RN72K1J-470JE	1	435034704R1	NSP
R567	C-CARBON R	RN72K1J-103JE	1	435031034R1	NSP
R568	C-CARBON R	RN72K1J-272JE	1	435032724R1	NSP
R569	C-CARBON R	RN72K1J-470JE	1	435034704R1	NSP
R570	C-CARBON R	RN72K1J-470JE	1	435034704R1	NSP
R571	C-CARBON R	RN72K1J-103JE	1	435031034R1	NSP
R572	C-CARBON R	RN72K1J-103JE	1	435031034R1	NSP
R573	C-CARBON R	RN72K1J-470JE	1	435034704R1	NSP
R574	C-CARBON R	RN72K1J-103JE	1	435031034R1	NSP
R575	C-CARBON R	RN72K1J-470JE	1	435034704R1	NSP
R576	C-CARBON R	RN72K1J-103JE	1	435031034R1	NSP
R577	C-CARBON R	RN72K1J-103JE	1	435031034R1	NSP

R578	C-CARBON R	RN72K1J-470JE	1	435034704R1	NSP
R579	C-CARBON R	RN72K1J-470JE	1	435034704R1	NSP
R581	C-CARBON R	RN72K1J-103JE	1	435031034R1	NSP
R582	C-CARBON R	RN72K1J-470JE	1	435034704R1	NSP
R583	C-CARBON R	RN72K1J-470JE	1	435034704R1	NSP
R584	C-CARBON R	RN72K1J-103JE	1	435031034R1	NSP
R586	C-CARBON R	RN72K1J-221JE	1	435032214R1	NSP
R587	C-CARBON R	RN72K1J-223JE	1	435032234R1	NSP
R588	C-CARBON R	RN72K1J-102JE	1	435031024R1	NSP
R589	C-CARBON R	RN72K1J-105JE	1	435031054R1	NSP
R591	C-CARBON R	RN72K1J-470JE	1	435034704R1	NSP
R592	C-CARBON R	RN72K1J-221JE	1	435032214R1	NSP
R593	C-CARBON R	RN72K1J-470JE	1	435034704R1	NSP
R594	C-CARBON R	RN72K1J-103JE	1	435031034R1	NSP
R595	C-CARBON R	RN72K1J-221JE	1	435032214R1	NSP
R596	C-CARBON R	RN72K1J-221JE	1	435032214R1	NSP
R597	C-CARBON R	RN72K1J-221JE	1	435032214R1	NSP
R598	C-CARBON R	RN72K1J-221JE	1	435032214R1	NSP
R599	C-CARBON R	RN72K1J-221JE	1	435032214R1	NSP
R600	C-CARBON R	RN72K1J-103JE	1	435031034R1	NSP
R601	C-CARBON R	RN72K1J-221JE	1	435032214R1	NSP
R602	C-CARBON R	RN72K1J-221JE	1	435032214R1	NSP
R603	C-CARBON R	RN72K1J-273JE	1	435032734R1	NSP
R604	C-CARBON R	RN72K1J-221JE	1	435032214R1	NSP
R605	C-CARBON R	RN72K1J-221JE	1	435032214R1	NSP
R606	C-CARBON R	RN72K1J-470JE	1	435034704R1	NSP
R607	C-CARBON R	RN72K1J-221JE	1	435032214R1	NSP
R608	C-CARBON R	RN72K1J-470JE	1	435034704R1	NSP
R609	C-CARBON R	RN72K1J-103JE	1	435031034R1	NSP
R610	C-CARBON R	RN72K1J-221JE	1	435032214R1	NSP
R613	C-CARBON R	RN72K1J-000JE	1	435030004R1	NSP
R614	C-CARBON R	RN72K1J-103JE	1	435031034R1	NSP
R615	C-CARBON R	RN72K1J-470JE	1	435034704R1	NSP
R616	C-CARBON R	RN72K1J-223JE	1	435032234R1	NSP
R617	C-CARBON R	RN72K1J-103JE	1	435031034R1	NSP <B MDC, B MPP>
R618	C-CARBON R	RN72K1J-103JE	1	435031034R1	NSP <B MDC, B MPP>
R619	C-CARBON R	RN72K1J-223JE	1	435032234R1	NSP
R620	C-CARBON R	RN72K1J-103JE	1	435031034R1	NSP <B MPP>
R621	C-CARBON R	RN72K1J-000JE	1	435030004R1	NSP <B MDC>
R621	C-CARBON R	RN72K1J-103JE	1	435031034R1	NSP <B MPP>
R622	C-CARBON R	RN72K1J-223JE	1	435032234R1	NSP
R624	C-CARBON R	RN72K1J-221JE	1	435032214R1	NSP
R625	C-CARBON R	RN72K1J-223JE	1	435032234R1	NSP
R626	C-CARBON R	RN72K1J-272JE	1	435032724R1	NSP
R627	C-CARBON R	RN72K1J-472JE	1	435034724R1	NSP
R628	C-CARBON R	RN72K1J-272JE	1	435032724R1	NSP
R629	C-CARBON R	RN72K1J-472JE	1	435034724R1	NSP
R631	C-CARBON R	RN72K1J-272JE	1	435032724R1	NSP
R632	C-CARBON R	RN72K1J-472JE	1	435034724R1	NSP

R633	C-CARBON R	RN72K1J-472JE	1	435034724R1	NSP
R634	C-CARBON R	RN72K1J-000JE	1	435030004R1	NSP
R635	C-CARBON R	RN72K1J-000JE	1	435030004R1	NSP
R636	C-CARBON R	RN72K1J-470JE	1	435034704R1	NSP
R637	C-CARBON R	RN72K1J-221JE	1	435032214R1	NSP
R640	C-CARBON R	RN72K1J-470JE	1	435034704R1	NSP
R641	C-CARBON R	RN72K1J-470JE	1	435034704R1	NSP
R642	C-CARBON R	RN72K1J-470JE	1	435034704R1	NSP
R643	C-CARBON R	RN72K1J-470JE	1	435034704R1	NSP
R644	C-CARBON R	RN72K1J-470JE	1	435034704R1	NSP
R647	C-CARBON R	RN72K1J-000JE	1	435030004R1	NSP
R648	C-CARBON R	RN72K1J-105JE	1	435031054R1	NSP
R649	C-CARBON R	RN72K1J-473JE	1	435034734R1	NSP
R650	C-CARBON R	RN72K1J-473JE	1	435034734R1	NSP
R652	C-CARBON R	RN72K1J-103JE	1	435031034R1	NSP
R654	C-CARBON R	RN72K1J-103JE	1	435031034R1	NSP
R655	C-CARBON R	RN72K1J-103JE	1	435031034R1	NSP
R656	C-CARBON R	RN72K1J-103JE	1	435031034R1	NSP
R657	C-CARBON R	RN72K1J-222JE	1	435032224R1	NSP
R658	C-CARBON R	RN72K1J-103JE	1	435031034R1	NSP
R659	C-CARBON R	RN72K1J-103JE	1	435031034R1	NSP
R661	C-CARBON R	RN72K1J-470JE	1	435034704R1	NSP
R663	C-CARBON R	RN72K1J-103JE	1	435031034R1	NSP
R664	C-CARBON R	RN72K1J-103JE	1	435031034R1	NSP
R667	C-CARBON R	RN72K1J-103JE	1	435031034R1	NSP
R668	C-CARBON R	RN72K1J-473JE	1	435034734R1	NSP
R670	C-CARBON R	RN72K1J-103JE	1	435031034R1	NSP
R671	C-CARBON R	RN72K1J-103JE	1	435031034R1	NSP
R672	C-CARBON R	RN72K1J-103JE	1	435031034R1	NSP
R673	C-CARBON R	RN72K1J-103JE	1	435031034R1	NSP
R674	C-CARBON R	RN72K1J-103JE	1	435031034R1	NSP
R675	C-CARBON R	RN72K1J-103JE	1	435031034R1	NSP
R676	C-CARBON R	RN72K1J-103JE	1	435031034R1	NSP
R677	C-CARBON R	RN72K1J-103JE	1	435031034R1	NSP
R680	C-CARBON R	RN72K1J-103JE	1	435031034R1	NSP
R681	C-CARBON R	RN72K1J-103JE	1	435031034R1	NSP
R682	C-CARBON R	RN72K1J-103JE	1	435031034R1	NSP
R683	C-CARBON R	RN72K1J-333JE	1	435033334R1	NSP
R684	C-CARBON R	RN72K1J-103JE	1	435031034R1	NSP
R685	C-CARBON R	RN72K1J-183JE	1	435031834R1	NSP
R686	C-CARBON R	RN72K1J-103JE	1	435031034R1	NSP
R712	C-CARBON R	RN72K1J-102JE	1	435031024R1	NSP
R713	C-CARBON R	RN72K1J-222JE	1	435032224R1	NSP
R714	C-CARBON R	RN72K1J-103JE	1	435031034R1	NSP
R731	C-CARBON R	RN72K1J-105JE	1	435031054R1	NSP <B MDC, B MPP>
R732	C-CARBON R	RN72K1J-561FE	1	435035612R1	NSP <B MDC, B MPP>
R733	C-CARBON R	RN72K1J-560JE	1	435035604R1	NSP <B MDC, B MPP>
R734	C-CARBON R	RN72K1J-471JE	1	435034714R1	NSP <B MDC, B MPP>
R735	C-CARBON R	RN72K1J-391JE	1	435033914R1	NSP <B MDC, B MPP>

R737	C-CARBON R	RN72K1J-750JE	1	435037504R1	NSP	<B MDC, B MPP>
R742	C-CARBON R	RN72K1J-102JE	1	435031024R1	NSP	
R771	C-CARBON R	RN72K1J-103JE	1	435031034R1	NSP	
R772	C-CARBON R	RN72K1J-222JE	1	435032224R1	NSP	
R773	C-CARBON R	RN72K1J-102JE	1	435031024R1	NSP	
R801	C-CARBON R	RN72K1J-000JE	1	435030004R1	NSP	
R802	C-CARBON R	RN72K1J-000JE	1	435030004R1	NSP	
R803	C-CARBON R	RN72K1J-224JE	1	435032244R1	NSP	
[SW TRM]						
E101	TRM-423(SCREW)	NEJITANSI ST3	1	25060495		
E102	TRM	NTM-1P233(M1969)	1	25060302		
JL409B	WIRE TRAP	NPLG-11P594	1	25055632		
JL801B	WIRE TRAP	NPLG-3P586	1	25055624		
JL907A	SOCKET	NSCT-7P99	1	25050271		
P1007	SOCKET	000010211-00027	1	25053411		<B MDC, B MPP>
P130	ST JACK	MSJ-035-22	1	25045887		
P131	PIN JACK	NPJ-2PDO666	1	25045895		<B MDC, B MPP>
P2010B	SOCKET	IMSA-9142S-22A	1	25053233		
P3101B	PLUG	NPLG-5P352	1	25055369		<B MDC, B MPP>
P3605B	SOCKET	IMSA-9142S-20A	1	25053232		<B MDC, B MPP>
P3608B	SOCKET	IMSA-9142S-20A	1	25053232		<B MDC, B MPP>
P4404B	SOCKET	NSCT-15P2195	1	25052298		<B MDC, B MPP>
P4405B	SOCKET	NSCT-15P2195	1	25052298		
P4801	CAP	(IR)	1	28330185		
P4804	ST JACK	MSJ-035-39E-B-PBT	1	25045945		
P4805	PIN JACK	NPJ-2PDWR583	1	25045803		
P4806	PIN JACK	NPJ-2PDWR583	1	25045803		
P4807	PIN JACK	NPJ-1PDP526	1	25045738		<B MDC, B MPP>
P4808A	SOCKET	NSCT-7P2100	1	25052203		<B MDC, B MPP>
P4808B	SOCKET	NSCT-7P2100	1	25052203		<B MDC, B MPP>
P7001A	SOCKET	NSCT-25P2155	1	25052258		
P751A	SOCKET	IMSA-9618S-09A	1	25053334R2		
[TUNER UNIT]						
U131	PHT CP	JSR1165-001recieving	1	24120143		<B MDC, B MPP>
U132	PHT CP	JSR1165-001recieving	1	24120143		<B MDC, B MPP>
U4800	REMO SENS	KSM-603TE5B	1	24130019		

TX-8050

PC BOARD PARTS LIST

* The part which it cannot supply is included. * The part which it cannot change is included.

U004	Display Board AS (U0040+U0041+U0042+U0043+U0044+U0045+U0046+U0047)	BADIS-0723-1C *	1	1B259523-1C	N	<B MDC>
U004	Display Board AS (U0040+U0041+U0042+U0043+U0044+U0045+U0046+U0047)	BADIS-0723-1D *	1	1B259523-1D	N	<B MPP / S MPP>
U0040	Display Board AS	BADIS-0723-1C	1	1B2595723-1C	N	<B MDC>
U0040	Display Board AS	BADIS-0723-1D	1	1B2595723-1D	N	<B MPP / S MPP>

U0041	Key and LED Board AS (Stadby/Zon-2/Pure-Audio)	BAASW-0724-1C	1	1B2595724-1C	N	<B MDC>
U0041	Key and LED Board AS (Stadby/Zon-2/Pure-Audio)	BAASW-0724-1D	1	1B2595724-1D	N	<B MPP / S MPP>
U0042	thermal sensor Board AS	BAETC-0725-1C	1	1B2595725-1C	N	<B MDC>
U0042	thermal sensor Board AS	BAETC-0725-1D	1	1B2595725-1D	N	<B MPP / S MPP>
U0043	ETC Board	BAETC-0726-1C	1	1B2595726-1C	N	<B MDC>
U0043	ETC Board	BAETC-0726-1D	1	1B2595726-1D	N	<B MPP / S MPP>
U0044	Sub-trans Board AS	BAPS-0727-1C	1	1B2595727-1C	N	<B MDC>
U0044	Sub-trans Board AS	BAPS-0727-1D	1	1B2595727-1D	N	<B MPP / S MPP>
U0045	Video / U-port Board AS	BAVD-0728-1C	1	1B2595728-1C	N	<B MDC>
U0045	Video / U-port Board AS	BAVD-0728-1D	1	1B2595728-1D	N	<B MPP / S MPP>
U0046	Tone control Board	BAETC-0729-1C	1	1B2595729-1C	N	<B MDC>
U0046	Tone control Board	BAETC-0729-1D	1	1B2595729-1D	N	<B MPP / S MPP>
U0047	ETC Board	BAETC-0730-1C	1	1B2595730-1C	N	<B MDC>
U0047	ETC Board	BAETC-0730-1D	1	1B2595730-1D	N	<B MPP / S MPP>

CIRCUIT	PART NAME	DESCRIPTION	Q'TY	PART NO. (SN)	REMARKS
[SEMI CONDUCTOR]					
D2000	C-DIODE	DA2J10100	1	223303R2	NSP
D2000 or	C-DIODE	1SS352	(1)	223234R2	NSP
D2000 or	C-DIODE	1SS355	(1)	223269R2	NSP
D2000 or	C-DIODE	MA2J111	(1)	223279R2	NSP
D2000 or	C-DIODE	KDS4148U	(1)	223283R2	NSP
D2001	C-DIODE	DA2J10100	1	223303R2	NSP
D2001 or	C-DIODE	1SS352	(1)	223234R2	NSP
D2001 or	C-DIODE	1SS355	(1)	223269R2	NSP
D2001 or	C-DIODE	MA2J111	(1)	223279R2	NSP
D2001 or	C-DIODE	KDS4148U	(1)	223283R2	NSP
D2002	C-DIODE	DA2J10100	1	223303R2	NSP
D2002 or	C-DIODE	1SS352	(1)	223234R2	NSP
D2002 or	C-DIODE	1SS355	(1)	223269R2	NSP
D2002 or	C-DIODE	MA2J111	(1)	223279R2	NSP
D2002 or	C-DIODE	KDS4148U	(1)	223283R2	NSP
D2003	C-DIODE	DA2J10100	1	223303R2	NSP
D2003 or	C-DIODE	1SS352	(1)	223234R2	NSP
D2003 or	C-DIODE	1SS355	(1)	223269R2	NSP
D2003 or	C-DIODE	MA2J111	(1)	223279R2	NSP
D2003 or	C-DIODE	KDS4148U	(1)	223283R2	NSP
D7000	C-DIODE	DA2J10100	1	223303R2	NSP
D7000 or	C-DIODE	1SS352	(1)	223234R2	NSP
D7000 or	C-DIODE	1SS355	(1)	223269R2	NSP
D7000 or	C-DIODE	MA2J111	(1)	223279R2	NSP
D7000 or	C-DIODE	KDS4148U	(1)	223283R2	NSP
D7001	ZENER D	DZ2J082M0L	1	224760820R2	
D7001 or	ZENER D	UDZS8.2B	(1)	224550820R2	
D7002	C-DIODE	DA2J10100	1	223303R2	NSP
D7002 or	C-DIODE	1SS352	(1)	223234R2	NSP
D7002 or	C-DIODE	1SS355	(1)	223269R2	NSP
D7002 or	C-DIODE	MA2J111	(1)	223279R2	NSP
D7002 or	C-DIODE	KDS4148U	(1)	223283R2	NSP

D7003	ZENER D	DZ2J039M0L	1	224760390R2	
D7003 or	ZENER D	UDZS3.9B	(1)	224550390R2	
D7004	ZENER D	DZ2J039M0L	1	224760390R2	
D7004 or	ZENER D	UDZS3.9B	(1)	224550390R2	
D7005	LED	SCB3318E-D2	1	225487	
D901	C-DIODE	DA2J10100	1	223303R2	NSP
D901 or	C-DIODE	1SS352	(1)	223234R2	NSP
D901 or	C-DIODE	1SS355	(1)	223269R2	NSP
D901 or	C-DIODE	MA2J111	(1)	223279R2	NSP
D901 or	C-DIODE	KDS4148U	(1)	223283R2	NSP
D902	C-DIODE	DA2J10100	1	223303R2	NSP
D902 or	C-DIODE	1SS352	(1)	223234R2	NSP
D902 or	C-DIODE	1SS355	(1)	223269R2	NSP
D902 or	C-DIODE	MA2J111	(1)	223279R2	NSP
D902 or	C-DIODE	KDS4148U	(1)	223283R2	NSP
D903	C-DIODE	DA2J10100	1	223303R2	NSP
D903 or	C-DIODE	1SS352	(1)	223234R2	NSP
D903 or	C-DIODE	1SS355	(1)	223269R2	NSP
D903 or	C-DIODE	MA2J111	(1)	223279R2	NSP
D903 or	C-DIODE	KDS4148U	(1)	223283R2	NSP
D904	C-DIODE	DA2J10100	1	223303R2	NSP
D904 or	C-DIODE	1SS352	(1)	223234R2	NSP
D904 or	C-DIODE	1SS355	(1)	223269R2	NSP
D904 or	C-DIODE	MA2J111	(1)	223279R2	NSP
D904 or	C-DIODE	KDS4148U	(1)	223283R2	NSP
D905	C-DIODE	DA2J10100	1	223303R2	NSP
D905 or	C-DIODE	1SS352	(1)	223234R2	NSP
D905 or	C-DIODE	1SS355	(1)	223269R2	NSP
D905 or	C-DIODE	MA2J111	(1)	223279R2	NSP
D905 or	C-DIODE	KDS4148U	(1)	223283R2	NSP
D906	C-DIODE	DA2J10100	1	223303R2	NSP
D906 or	C-DIODE	1SS352	(1)	223234R2	NSP
D906 or	C-DIODE	1SS355	(1)	223269R2	NSP
D906 or	C-DIODE	MA2J111	(1)	223279R2	NSP
D906 or	C-DIODE	KDS4148U	(1)	223283R2	NSP
D907	C-DIODE	DA2J10100	1	223303R2	NSP
D907 or	C-DIODE	1SS352	(1)	223234R2	NSP
D907 or	C-DIODE	1SS355	(1)	223269R2	NSP
D907 or	C-DIODE	MA2J111	(1)	223279R2	NSP
D907 or	C-DIODE	KDS4148U	(1)	223283R2	NSP
D908	C-DIODE	DA2J10100	1	223303R2	NSP
D908 or	C-DIODE	1SS352	(1)	223234R2	NSP
D908 or	C-DIODE	1SS355	(1)	223269R2	NSP
D908 or	C-DIODE	MA2J111	(1)	223279R2	NSP
D908 or	C-DIODE	KDS4148U	(1)	223283R2	NSP
D909	C-DIODE	DA2J10100	1	223303R2	NSP
D909 or	C-DIODE	1SS352	(1)	223234R2	NSP
D909 or	C-DIODE	1SS355	(1)	223269R2	NSP
D909 or	C-DIODE	MA2J111	(1)	223279R2	NSP

D909 or	C-DIODE	KDS4148U	(1)	223283R2	NSP
D910	C-DIODE	DA2J10100	1	223303R2	NSP
D910 or	C-DIODE	1SS352	(1)	223234R2	NSP
D910 or	C-DIODE	1SS355	(1)	223269R2	NSP
D910 or	C-DIODE	MA2J111	(1)	223279R2	NSP
D910 or	C-DIODE	KDS4148U	(1)	223283R2	NSP
D911	C-DIODE	DA2J10100	1	223303R2	NSP
D911 or	C-DIODE	1SS352	(1)	223234R2	NSP
D911 or	C-DIODE	1SS355	(1)	223269R2	NSP
D911 or	C-DIODE	MA2J111	(1)	223279R2	NSP
D911 or	C-DIODE	KDS4148U	(1)	223283R2	NSP
D912	C-DIODE	DA2J10100	1	223303R2	NSP
D912 or	C-DIODE	1SS352	(1)	223234R2	NSP
D912 or	C-DIODE	1SS355	(1)	223269R2	NSP
D912 or	C-DIODE	MA2J111	(1)	223279R2	NSP
D912 or	C-DIODE	KDS4148U	(1)	223283R2	NSP
D913	ZENER D	DZ2J051M0L	1	224760510R2	<B MDC, B MPP>
D913 or	ZENER D	UDZS5.1B	(1)	224550510R2	<B MDC, B MPP>
Q2000	IC	NJM4580M-D	1	22241448R2	
Q2003	TR	RN1441	1	2215410R2	
Q2005	IC	NJM4580M-D	1	22241448R2	
Q2006	TR	RN1441	1	2215410R2	
Q2007	IC	BH76360FV-E2	1	22242706R2	N
Q2008	IC	NJM2505AF	1	22242490R2	
Q2009	TR	KRC104S	1	2216210R2	
Q2009 or	TR	RN1404	(1)	2214490R2	
Q2010	TR	KRC104S	1	2216210R2	
Q2010 or	TR	RN1404	(1)	2214490R2	
Q2011	TR	2SA1162-GR	1	2214375R2	
Q2012	TR	KRA102S	1	2216220R2	
Q2012 or	TR	RN2402	(1)	2214530R2	
Q2013	IC	XC6220B501PR	1	22242692R2	
Q7000	FL TUBE	16-BT-165GINK	1	212276	
Q7000A	HOLDER	(FL)	1	27191303	
Q7001	TR	KTC3875-GR	1	2216175R2	
Q7002	TR	KTC3875-GR	1	2216175R2	
Q7003	TR	KTC3875-GR	1	2216175R2	
Q7004	TR	DTC123JKA	1	2216690R2	
Q7006	IC	LM61CIZ	1	22242212	
Q7007	TR	2SA1162-GR	1	2214375R2	
Q7008	TR	KRC107S	1	2216340R2	
[CHASSIS SCREW]					
Q7006A	RETAINER	(PTH)	1	27141884-1	
[TRANS COIL]					
L2000	CORE	BLM18PG181SN1D	1	2350005R1	
L2001	CORE	BLM18PG181SN1D	1	2350005R1	
L2002	CORE	BLM18PG181SN1D	1	2350005R1	
L2003	EMIFIL	BK1608LM182-T	1	230958R1	
L2004	EMIFIL	BK1608LM182-T	1	230958R1	

L2005	EMIFIL	BK1608LM182-T	1	230958R1	
L2006	EMIFIL	BK1608LM182-T	1	230958R1	
L2007	EMIFIL	BK1608LM182-T	1	230958R1	
L2008	EMIFIL	BK1608LM182-T	1	230958R1	
L2009	EMIFIL	BK1608LM182-T	1	230958R1	
L2010	EMIFIL	BK1608LM182-T	1	230958R1	
L2011	EMIFIL	BK1608LM182-T	1	230958R1	
L2012	EMIFIL	BK1608LM182-T	1	230958R1	
L2013	EMIFIL	BK1608LM182-T	1	230958R1	
L2014	EMIFIL	BK1608LM182-T	1	230958R1	
L2015	EMIFIL	BK1608LM182-T	1	230958R1	
L2016	EMIFIL	BK1608LM182-T	1	230958R1	
L2017	EMIFIL	BK1608LM182-T	1	230958R1	
L2018	EMIFIL	BK1608LM182-T	1	230958R1	
L2019	CORE	BLM18PG181SN1D	1	2350005R1	
L7000	CHOKE COIL	LBC2518T2R2M	1	231364M022R2	
T905	P TRANS	NPT-1520Q	1	2301812A	! <B MDC>
T905	P TRANS	NPT-1520GQ	1	2301813A	!] <B MPP>
[CAPACITOR]					
C2000	C-CERA C	CC725CH1H-101J1	1	342101014R1	NSP
C2001	C-CERA C	CK725F1E-104Z1	1	332161040R1	NSP
C2002	UTSP C	CE04W50V-10M(UTSP)	1	397581007T	
C2004	C-CERA C	CC725CH1H-101J1	1	342101014R1	NSP
C2005	C-CERA C	CC725CH1H-471J1	1	342104714R1	NSP
C2006	C-CERA C	CC725CH1H-471J1	1	342104714R1	NSP
C2007	C-CERA C	CK725F1A-105Z1	1	332181050R1	NSP
C2008	C-CERA C	CK725F1A-105Z1	1	332181050R1	NSP
C2009	C-CERA C	CC725CH1H-101J1	1	342101014R1	NSP
C2017	C-CERA C	CC725CH1H-101J1	1	342101014R1	NSP
C2018	C-CERA C	CC725CH1H-101J1	1	342101014R1	NSP
C2019	C-CERA C	CC725CH1H-471J1	1	342104714R1	NSP
C2020	C-CERA C	CC725CH1H-471J1	1	342104714R1	NSP
C2021	C-CERA C	CK725F1A-105Z1	1	332181050R1	NSP
C2022	C-CERA C	CK725F1A-105Z1	1	332181050R1	NSP
C2023	C-CERA C	CK725B1H-102K1	1	332101025R1	NSP
C2024	UTSP C	CE04W50V-10M(UTSP)	1	397581007T	
C2025	C-CERA C	CK725F1E-104Z1	1	332161040R1	
C2026	VR C	CE04W6.3V-470M(VR)	1	394624717T	
C2026 or	JAMICON	CE04W6.3V-470M	(1)	398524717T	
C2027	C-CERA C	CC725CH1H-101J1	1	342101014R1	NSP
C2030	UTSP C	CE04W50V-10M(UTSP)	1	397581007T	
C2031	UTSP C	CE04W50V-10M(UTSP)	1	397581007T	
C2032	C-CERA C	CC725CH1H-101J1	1	342101014R1	NSP
C2033	C-CERA C	CK725F1E-104Z1	1	332161040R1	NSP
C2034	C-CERA C	CC725CH1H-471J1	1	342104714R1	NSP
C2035	C-CERA C	CC725CH1H-101J1	1	342101014R1	NSP
C2036	C-CERA C	CK725F1E-104Z1	1	332161040R1	NSP
C2037	C-CERA C	CC725CH1H-471J1	1	342104714R1	NSP
C2038	C-CERA C	CK725B1H-102K1	1	332101025R1	NSP

C2039	UTSP C	CE04W50V-10M(UTSP)	1	397581007T	
C2040	UTSP C	CE04W50V-10M(UTSP)	1	397581007T	
C2041	C-CERA C	CK725F1E-104Z1	1	332161040R1	NSP
C2042	C-CERA C	CK725F1E-104Z1	1	332161040R1	NSP
C2043	C-CERA C	CK725F1E-104Z1	1	332161040R1	NSP
C2044	C-CERA C	CK725F1E-104Z1	1	332161040R1	NSP
C2045	C-CERA C	CK725F1E-104Z1	1	332161040R1	
C2046	UTSP C	CE04W10V-100M(UTSP)	1	397531017T	
C2047	C-CERA C	CK725F1A-105Z1	1	332181050R1	NSP
C2048	C-CERA C	CK725F1A-105Z1	1	332181050R1	NSP
C2049	VR C	CE04W6.3V-470M(VR)	1	394624717T	
C2049 or	JAMICON	CE04W6.3V-470M	(1)	398524717T	
C2050	C-CERA C	CC725CH1H-471J1	1	342104714R1	NSP
C2051	C-CERA C	CC725CH1H-471J1	1	342104714R1	NSP
C2052	VR C	CE04W6.3V-470M(VR)	1	394624717T	
C2052 or	JAMICON	CE04W6.3V-470M	(1)	398524717T	
C2053	UTSP C	CE04W50V-10M(UTSP)	1	397581007T	
C2054	C-CERA C	CK725F1E-104Z1	1	332161040R1	NSP
C2055	C-CERA C	CK725F1E-104Z1	1	332161040R1	NSP
C2056	VR C	CE04W6.3V-470M(VR)	1	394624717T	
C2056 or	JAMICON	CE04W6.3V-470M	(1)	398524717T	
C2057	C-CERA C	CC725CH1H-470J1	1	342104704R1	NSP
C2058	C-CERA C	CC725CH1H-470J1	1	342104704R1	NSP
C2059	C-CERA C	CK725F1E-104Z1	1	332161040R1	NSP
C2060	C-CERA C	CK725F1E-104Z1	1	332161040R1	NSP
C2061	C-CERA C	CK725F1E-104Z1	1	332161040R1	NSP
C2062	C-CERA C	CK725F1E-104Z1	1	332161040R1	NSP
C2063	C-CERA C	CK732B16V-106K	1	332071065R2	NSP
C2064	C-CERA C	CK732B16V-106K	1	332071065R2	NSP
C2065	C-CERA C	CK732B16V-106K	1	332071065R2	NSP
C2066	C-CERA C	CK732B16V-106K	1	332071065R2	NSP
C2067	C-CERA C	CK725F1E-104Z1	1	332161040R1	NSP
C2069	C-CERA C	CC725CH1H-470J1	1	342104704R1	NSP
C7000	C-CERA C	CK725B1H-223K1	1	332102235R1	NSP
C7001	C-CERA C	CK725B1H-223K1	1	332102235R1	NSP
C7002	C-CERA C	CK725B1H-223K1	1	332102235R1	NSP
C7003	C-CERA C	CK725B1H-223K1	1	332102235R1	NSP
C7004	C-CERA C	CK725F1E-104Z1	1	332161040R1	NSP
C7005	ELECT C	CE04W16V-47M	1	355744709T	
C7006	ELECT C	CE04W50V-4.7M	1	355780479T	
C7007	C-CERA C	CK725B1H-223K1	1	332102235R1	NSP
C7008	C-CERA C	CK725B1H-223K1	1	332102235R1	NSP
C7009	C-CERA C	CK725B1H-223K1	1	332102235R1	NSP
C7010	ELECT C	CE04W6.3V-100M	1	355721019T	
C7011	C-CERA C	CC725CH1H-101J1	1	342101014R1	NSP
C7012	C-CERA C	CC725CH1H-101J1	1	342101014R1	NSP
C7013	C-CERA C	CC725CH1H-101J1	1	342101014R1	NSP
C7014	C-CERA C	CK725F1E-104Z1	1	332161040R1	NSP
C7015	C-CERA C	CK725F1E-104Z1	1	332161040R1	NSP

C7016	C-CERA C	CK725B1H-103K1	1	332101035R1	NSP
C7017	C-CERA C	CK725B1H-103K1	1	332101035R1	NSP
C7018	ELECT C	CE04W16V-10M	1	355741009T	
C7019	C-CERA C	CK725B1H-223K1	1	332102235R1	NSP
C7022	C-CERA C	CK725B1H-103K1	1	332101035R1	NSP
C7023	C-CERA C	CK725B1H-103K1	1	332101035R1	NSP
C7025	C-CERA C	CK725B1H-223K1	1	332102235R1	NSP
C7027	C-CERA C	CK725B1H-223K1	1	332102235R1	NSP
C7029	C-CERA C	CK725B1H-223K1	1	332102235R1	NSP
C7030	ELECT C	CE04W6.3V-100M	1	355721019T	
C7031	C-CERA C	CC725CH1H-102J1	1	342101024R1	NSP
C7035	C-CERA C	CC725CH1H-102J1	1	342101024R1	NSP
C901	IS C	LE103-C3.5	1	3800042S	
C901 or	IS C	ECQU2A103MLC	(1)	3800039S	
C902	C-CERA C	CK725F1E-104Z1	1	332161040R1	NSP
C903	C-CERA C	CK725F1E-104Z1	1	332161040R1	NSP
C904	VR C	CE04W25V-2200M(VR)	1	394652227S	
C905	C-CERA C	CK725F1E-104Z1	1	332161040R1	NSP
C906	VR C	CE04W35V-100M(VR)	1	394661017T	
C907	UTSP C	CE04W50V-4.7M(UTSP)	1	397580477T	
[RESISTOR]					
R2000	C-CARBON R	RN72K1J-000JE	1	435030004R1	NSP
R2001	C-CARBON R	RN72K1J-123JE	1	435031234R1	NSP
R2002	C-CARBON R	RN72K1J-103JE	1	435031034R1	NSP
R2003	C-CARBON R	RN72K1J-123JE	1	435031234R1	NSP
R2004	C-CARBON R	RN72K1J-103JE	1	435031034R1	NSP
R2005	C-CARBON R	RN72K1J-471JE	1	435034714R1	NSP
R2006	C-CARBON R	RN72K1J-223JE	1	435032234R1	NSP
R2007	C-CARBON R	RN72K1J-223JE	1	435032234R1	NSP
R2010	C-CARBON R	RN72K1J-105JE	1	435031054R1	NSP
R2012	C-CARBON R	RN72K1J-223JE	1	435032234R1	NSP
R2013	C-CARBON R	RN72K1J-223JE	1	435032234R1	NSP
R2014	C-CARBON R	RN72K1J-123JE	1	435031234R1	NSP
R2015	C-CARBON R	RN72K1J-103JE	1	435031034R1	NSP
R2016	C-CARBON R	RN72K1J-471JE	1	435034714R1	NSP
R2017	C-CARBON R	RN72K1J-750JE	1	435037504R1	NSP
R2018	C-CARBON R	RN72K1J-104JE	1	435031044R1	NSP
R2019	C-CARBON R	RN72K1J-123JE	1	435031234R1	NSP
R2020	C-CARBON R	RN72K1J-103JE	1	435031034R1	NSP
R2021	C-CARBON R	RN72K1J-000JE	1	435030004R1	NSP
R2022	C-CARBON R	RN72K1J-000JE	1	435030004R1	NSP
R2023	C-CARBON R	RN72K1J-103JE	1	435031034R1	NSP
R2024	C-CARBON R	RN72K1J-222JE	1	435032224R1	NSP
R2025	C-CARBON R	RN72K1J-750JE	1	435037504R1	NSP
R2026	C-CARBON R	RN72K1J-562JE	1	435035624R1	NSP
R2027	C-CARBON R	RN72K1J-222JE	1	435032224R1	NSP
R2028	C-CARBON R	RN72K1J-103JE	1	435031034R1	NSP
R2030	C-CARBON R	RN72K1J-750JE	1	435037504R1	NSP
R2031	C-CARBON R	RN72K1J-103JE	1	435031034R1	NSP

R2032	C-CARBON R	RN72K1J-222JE	1	435032224R1	NSP
R2033	C-CARBON R	RN72K1J-103JE	1	435031034R1	NSP
R2034	C-CARBON R	RN72K1J-222JE	1	435032224R1	NSP
R2035	C-CARBON R	RN72K1J-750JE	1	435037504R1	NSP
R2036	C-CARBON R	RN72K1J-000JE	1	435030004R1	NSP
R2037	C-CARBON R	RN72K1J-750JE	1	435037504R1	NSP
R2038	C-CARBON R	RN72K1J-104JE	1	435031044R1	NSP
R2039	C-CARBON R	RN72K1J-750JE	1	435037504R1	NSP
R2040	C-CARBON R	RN72K1J-105JE	1	435031054R1	NSP
R2041	C-CARBON R	RN72K1J-562JE	1	435035624R1	NSP
R2042	C-CARBON R	RN72K1J-220JE	1	435032204R1	NSP
R2043	C-CARBON R	RN72K1J-220JE	1	435032204R1	NSP
R2044	C-CARBON R	RN72K1J-680JE	1	435036804R1	NSP
R2045	C-CARBON R	RN72K1J-333JE	1	435033334R1	NSP
R2046	C-CARBON R	RN72K1J-222JE	1	435032224R1	NSP
R2047	C-CARBON R	RN72K1J-103JE	1	435031034R1	NSP
R2048	C-CARBON R	RN72K1J-750JE	1	435037504R1	NSP
R2049	THERMISTOR	FUSB090F	1	4000252T	
R2901	C-CARBON R	RN72K1J-000JE	1	435030004R1	NSP
R7000	C-CARBON R	RN72K1J-221JE	1	435032214R1	NSP
R7001	C-CARBON R	RN72K1J-221JE	1	435032214R1	NSP
R7002	C-CARBON R	RN72K1J-100JE	1	435031004R1	NSP
R7003	C-CARBON R	RN72K1J-100JE	1	435031004R1	NSP
R7004	C-CARBON R	RN72K1J-221JE	1	435032214R1	NSP
R7005	C-CARBON R	RN72K1J-221JE	1	435032214R1	NSP
R7006	C-CARBON R	RN72K1J-333JE	1	435033334R1	NSP
R7007	C-CARBON R	RN72K1J-102JE	1	435031024R1	NSP
R7008	C-CARBON R	RN72K1J-332JE	1	435033324R1	NSP
R7009	C-CARBON R	RN72K1J-102JE	1	435031024R1	NSP
R7010	C-CARBON R	RN72K1J-332JE	1	435033324R1	NSP
R7011	C-CARBON R	RN72K1J-102JE	1	435031024R1	NSP
R7012	C-CARBON R	RN72K1J-101JE	1	435031014R1	NSP
R7013	C-CARBON R	RN72K1J-101JE	1	435031014R1	NSP
R7014	C-CARBON R	RN72K1J-102JE	1	435031024R1	NSP
R7015	C-CARBON R	RN72K1J-103JE	1	435031034R1	NSP
R7016	C-CARBON R	RN72K1J-103JE	1	435031034R1	NSP
R7017	C-CARBON R	RN72K1J-103JE	1	435031034R1	NSP
R7018	C-CARBON R	RN72K1J-103JE	1	435031034R1	NSP
R7019	C-CARBON R	RN72K1J-333JE	1	435033334R1	NSP
R7020	C-CARBON R	RN72K1J-104JE	1	435031044R1	NSP
R7021	C-CARBON R	RN72K1J-333JE	1	435033334R1	NSP
R7022	C-CARBON R	RN72K1J-104JE	1	435031044R1	NSP
R7023	C-CARBON R	RN72K1J-820JE	1	435038204R1	NSP
R7026	C-CARBON R	RN72K1J-103JE	1	435031034R1	NSP
R7027	C-CARBON R	RN72K1J-103JE	1	435031034R1	NSP
R7028	C-CARBON R	RN72K1J-102JE	1	435031024R1	NSP
R7029	C-CARBON R	RN72K1J-102JE	1	435031024R1	NSP
R7030	C-CARBON R	RN72K1J-102JE	1	435031024R1	NSP
R7033	C-CARBON R	RN72K1J-103JE	1	435031034R1	NSP

R7034	C-CARBON R	RN72K1J-103JE	1	435031034R1	NSP
R7035	C-CARBON R	RN72K1J-474JE	1	435034744R1	NSP
R7036	C-CARBON R	RN72K1J-474JE	1	435034744R1	NSP
R7037	C-CARBON R	RN72K1J-474JE	1	435034744R1	NSP
R7038	C-CARBON R	RN72K1J-101JE	1	435031014R1	NSP
R7039	VARI R	N11RLC20KB27Z	1	5121553	
R7040	VARI R	N11RLC20KB27Z	1	5121553	
R7041	VARI R	N11RLC20KB27Z	1	5121553	
R7043	C-CARBON R	RN72K1J-102JE	1	435031024R1	NSP
R7044	C-CARBON R	RN72K1J-221JE	1	435032214R1	NSP <B MDC, B MPP>
R7046	C-CARBON R	RN72K1J-271JE	1	435032714R1	NSP
R7047	C-CARBON R	RN72K1J-331JE	1	435033314R1	NSP
R7048	C-CARBON R	RN72K1J-271JE	1	435032714R1	NSP
R7049	C-CARBON R	RN72K1J-331JE	1	435033314R1	NSP
R7050	C-CARBON R	RN72K1J-471JE	1	435034714R1	NSP
R7051	C-CARBON R	RN72K1J-561JE	1	435035614R1	NSP
R7052	C-CARBON R	RN72K1J-821JE	1	435038214R1	NSP
R7053	C-CARBON R	RN72K1J-122JE	1	435031224R1	NSP
R7054	C-CARBON R	RN72K1J-222JE	1	435032224R1	NSP
R7055	C-CARBON R	RN72K1J-392JE	1	435033924R1	NSP
R7056	C-CARBON R	RN72K1J-271JE	1	435032714R1	NSP
R7057	C-CARBON R	RN72K1J-331JE	1	435033314R1	NSP
R7058	C-CARBON R	RN72K1J-471JE	1	435034714R1	NSP
R7059	C-CARBON R	RN72K1J-561JE	1	435035614R1	NSP
R7060	C-CARBON R	RN72K1J-821JE	1	435038214R1	NSP
R7061	C-CARBON R	RN72K1J-122JE	1	435031224R1	NSP
R7062	C-CARBON R	RN72K1J-102JE	1	435031024R1	NSP
R7063	C-CARBON R	RN72K1J-102JE	1	435031024R1	NSP
R7064	C-CARBON R	RN72K1J-473JE	1	435034734R1	NSP
R7065	C-CARBON R	RN72K1J-562JE	1	435035624R1	NSP
R7066	C-CARBON R	RN72K1J-562JE	1	435035624R1	NSP
R902	METAL O R	RS1/2WBJ-47	1	443524704T	
R903	METAL R	RNU1/2WCJ-4.7	1	453530474T	
R904	C-CARBON R	RN72K1J-104JE	1	435031044R1	NSP
[SW TRM]					
E2000	TRM-423(SCREW)	NEJITANSI ST3	1	25060495	NSP
E909	TRM-423(SCREW)	NEJITANSI ST3	1	25060495	NSP
E910	TRM-423(SCREW)	NEJITANSI ST3	1	25060495	NSP
F901C	FUSE HOL	NSCT-1P2031	1	25052133T	
F901D	FUSE HOL	NSCT-1P2031	1	25052133T	
JL402B	SOCKET	NSCT-7P99	1	25050271	
JL403B	WIRE TRAP	NPLG-7P590	1	25055628	
JL701A	WIRE HOL	NSCT-7P878	1	25051091	
JL701B	WIRE HOL	NSCT-7P878	1	25051091	
JL702A	WIRE HOL	NSCT-9P880	1	25051093	
JL702B	WIRE HOL	NSCT-9P880	1	25051093	
JL801A	WIRE HOL	NSCT-3P874	1	25051087	
JL906B	SOCKET	NSCT-5P97	1	25050269	
JL952A	WIRE HOL	NSCT-5P876	1	25051089	

P2001	PIN JACK	NPJ-3PDYYY681	1	25045913	
P2002	PIN JACK	NPJ-3PDYYY681	1	25045913	
P2003	SOCKET	NNA1-01-006	1	25053357	
P2010A	PLUG	IMSA-9142B-22A	1	25056601	
P7001B	SOCKET	NSCT-25P2155	1	25052258	
P901	PLUG	NPLG-2P631	1	25055675	
P903	PLUG	NPLG-2P631	1	25055675	
RL901	RELAY	NRL-1P5A-DC9-179	1	25065669	
S7000	R ENCODE	EC12E2425WITH WASHER	1	25065655W	
S7002	R ENCODE	EVEHC1F2524B	1	25065696W	
S7003	PUSH SW	NPS-111-S681	1	25035718T	
S7004	PUSH SW	NPS-111-S681	1	25035718T	
S7005	PUSH SW	NPS-111-S681	1	25035718T	
S7006	PUSH SW	NPS-111-S681	1	25035718T	
S7007	PUSH SW	NPS-111-S681	1	25035718T	
S7008	PUSH SW	NPS-111-S681	1	25035718T	
S7009	PUSH SW	NPS-111-S681	1	25035718T	
S7010	PUSH SW	NPS-111-S681	1	25035718T	
S7011	PUSH SW	NPS-111-S681	1	25035718T	
S7012	PUSH SW	NPS-111-S681	1	25035718T	
S7013	PUSH SW	NPS-111-S681	1	25035718T	
S7014	PUSH SW	NPS-111-S681	1	25035718T	
S7015	PUSH SW	NPS-111-S681	1	25035718T	<B MDC, B MPP>
S7016	PUSH SW	NPS-111-S681	1	25035718T	<B MDC, B MPP>
S7017	PUSH SW	NPS-111-S681	1	25035718T	
S7018	PUSH SW	NPS-111-S681	1	25035718T	
S7019	PUSH SW	NPS-111-S681	1	25035718T	
S7020	PUSH SW	NPS-111-S681	1	25035718T	
S7021	PUSH SW	NPS-111-S681	1	25035718T	
[TUNER UNIT]					
U7000	REMO SENS	KSM-603TE5B	1	24130019	

ONKYO®**ONKYO SOUND & VISION CORPORATION**

Technical Support, Service Dept.: 2-1, Nisshin-cho, Neyagawa-shi, OSAKA 572-8540, JAPAN
Tel: 072-831-8023 Fax: 072-831-8163

ONKYO U.S.A. CORPORATION

18 Park Way, Upper Saddle River, N.J. 07458, U.S.A.
Tel: 800-229-1687, 201-785-2600 Fax: 201-785-2650 <http://www.us.onkyo.com/>

ONKYO EUROPE ELECTRONICS GmbH

Liegnitzerstrasse 6, 82194 Groebenzell, GERMANY
Tel: +49-8142-4401-0 Fax: +49-8142-4401-555 <http://www.eu.onkyo.com/>

ONKYO EUROPE ELECTRONICS GmbH (UK BRANCH)

The Coach House 81A High Street, Marlow, Buckinghamshire, SL7 1AB, UK
Tel: +44-(0)1628-473-350 Fax: +44-(0)1628-401-700

ONKYO CHINA LIMITED

Unit 1&12, 9/F, Ever Gain Plaza Tower 1, 88, Container Port Road, Kwai Chung,
N.T., Hong Kong. Tel: 852-2429-3118 Fax: 852-2428-9039
<http://www.ch.onkyo.com/>